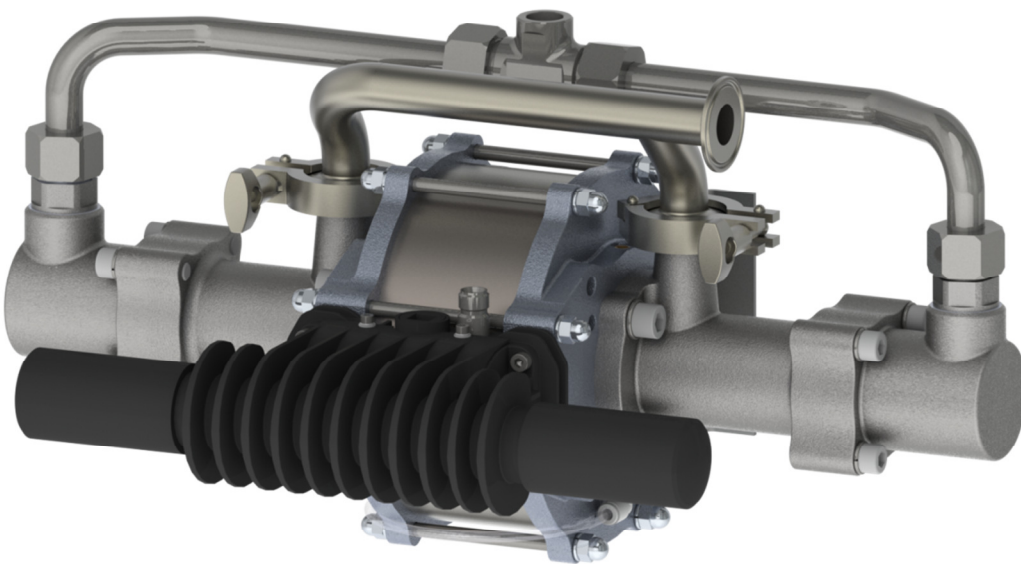


BINKS[®]



Instruction Manual

Maple 7/15 Pump

Model 10 40 41



Product Description	Pumps - Maple, DVP, 104009, 104010, 104016, 104027, 104032, 104041, 104077, 104025, 104023, 104028, 106933,
This Product is designed for use with:	Solvent and Water based Materials
Suitable for use in hazardous area:	Zone 1 & 2
Protection Level:	II 2 G X IIB T4
Manufacturer:	Binks, Ringwood Road, Bournemouth, BH11 9LH. UK

<h2>EU Declaration of Conformity</h2> <p>We: Binks declare that the above product conforms with the Provisions of: Machinery Directive 2006/42/EC ATEX Directive 94/9/EC</p> <p>by complying with the following statutory documents and harmonized standards: EN ISO 12100: Safety of Machinery - General Principles for Design EN ISO 4413: Hydraulic Fluid Power - General Rules and safety requirements EN ISO 4414: Pneumatic Fluid Power - General Rules and safety requirements EN 12621: Machinery for the supply and circulation of coating materials under pressure - Safety requirements EN1127-1: Explosive atmospheres - Explosion prevention - Basic concepts EN 13463-1: Non electrical equipment for use in potentially explosive atmospheres - Basic methods and requirements EN 13463-5: Non electrical equipment for use in potentially explosive atmospheres - Protection by constructional safety</p> <p>Providing all conditions of safe use stated within the product manuals have been complied with and that the final equipment into which this product is installed has been re-assessed as required, in accordance with essential health and safety requirements of the above standards, directives and statutory instruments and also installed in accordance with any applicable local codes of practice.</p>	
 D Smith (General Manager) 1/11/12	

Specification	
Pump Ratio	15:1
Max. Air Pressure Inlet	7 Bar
Max. Fluid Pressure	105 Bar
Nominal Flow Volume / Cycle	0.166 Litres 0.044 US Gall
Fluid Output @ 60 cycles/min	10.0 Litres / min 2.6 US Gall / min
Maximum Recommended Continuous Cycle Rate Maximum Recommended Intermittent Cycle Rate	20 Cycles /min 40 Cycles /min
Fluid Connections Inlet Outlet	1" Sanitary ½" NPT Female
Compressed Air Inlet	3/8" BSP / NPSM
Air Volume / cycle	0.33 SCFM (9.5 L/m) @ 45PSI (3.1 Bar) 0.65 SCFM (18.5 L/m) @ 90 PSI (6.2 Bar)
Air Flow @ 15 cycles/min 6 bar Air Flow @ 30 cycles/min 6 bar	10 CFM (283 L/min) 20 CFM (566 L/min)
Max. Pump Inlet Pressure	2 Bar (30 PSI)
Air Quality ISO 8573.1 Class 3.3.2 # (See Note)	Dirt 5 microns Water -20°C@7bar (940ppm) Oil 0.1mg/m ³
Total Weight of Pump	30 Kg / 66 lbs
<p># Note: Class 3.4.2 Air Quality (Refrigerant dried - water +3°C@7bar) may be used, however, above 15 cycles/min optional heavy duty mufflers 192821 or piped exhaust system should be used, if used continuously.</p>	

 **WARNING**

Directions for Working Safety

This Product has been constructed according to advanced technological standards and is operationally reliable. Damage may, however, result if it is used incorrectly by untrained persons or used for purposes other than those for which it was constructed.

The locally current regulations for safety and prevention of accidents are valid for the operation of this product under all circumstances.

International, national and company safety regulations are to be observed for the installation and operation of this product, as well as the procedures involved in maintenance, repairs and cleaning.

These instructions are intended to be read, understood and observed in all points by those responsible for this product. These operating and maintenance instructions are intended to ensure trouble free operation. Therefore, it is recommended to read these instructions carefully before start-up. Binks PCE cannot be held responsible for damage or malfunctions resulting from the non-observance of the operating instructions. These instructions including regulations and technical drawings may not be copied, distributed, used for commercial purposes or given to others either in full or in part without the consent of Binks PCE.

We reserve the right to alter drawings and specifications necessary for the technical improvement of this product without notice.

Equipment Misuse Hazard



Equipment misuse can cause the equipment to rupture or malfunction and result in serious injury.



- This equipment is for professional use only.
- Read all instruction manuals, tags, and labels before operating the equipment.
- Use the equipment only for its intended purpose.
- Do not alter or modify this equipment. Use only genuine Binks PCE parts and accessories.
- Check equipment daily. Repair or replace worn or damaged parts immediately.
- Do not exceed the maximum working pressure stated on the equipment or in the Technical Data for your equipment. Do not exceed the maximum working pressure of the lowest rated component in your system.
- Use fluids and solvents which are compatible with the equipment wetted parts. Refer to the Technical Data section of all equipment manuals. Read the fluid and solvent manufacturer's warnings.
- Route hoses away from traffic areas, sharp edges, moving parts, and hot surfaces. Do not expose hoses to temperatures above 82°C (180°F) or below -40°C (-40°F).
- Do not lift pressurized equipment.
- Comply with all applicable local, state, and national fire, electrical, and safety regulations.



Fire, Explosion and Electric Shock Hazard



Improper grounding, poor ventilation, open flames or sparks can cause a hazardous condition and result in a fire, explosion, or electric shock.

When installed and operated in accordance with its instructions, the pump is approved for operation in Zone 1 (Europe) & Division 1 (North America), hazardous locations. (ATEX Cat 2)



- Electrical equipment must be installed, operated, and serviced only by trained, qualified personnel who fully understand the requirements stated in this instruction manual.
- Ground the equipment and all other electrically conductive objects in the spray area. After grounding test with ohmmeter to ensure earth continuity is 1 ohm or less.
- Keep all covers tight while the motor is energized.
- If there is any static sparking or you feel an electric shock while using this equipment, stop spraying/dispensing immediately. Do not use the equipment until you identify and correct the problem.
- Provide fresh air ventilation to avoid the build up of flammable fumes from solvents or the fluid being pumped.
- Keep the pumping area free of debris, including solvent, rags, and gasoline.
- Electrically disconnect all equipment in the pumping area.
- Extinguish all open flames or pilot lights in the spray/dispense area.
- Do not smoke in the spray/dispense area.
- Do not turn on or off any light switch in the spray/dispense area while operating or if fumes are present.





WARNING



READ THE MANUAL

Before operating equipment, read and understand all safety, operation and maintenance information provided in the operation manual.



WEAR SAFETY GLASSES

Failure to wear safety glasses with side shields could result in serious eye injury or blindness.



DE-ENERGIZE, DEPRESSURIZE, DISCONNECT AND LOCK OUT ALL POWER SOURCES DURING MAINTENANCE

Failure to De-energize, disconnect and lock out all power supplies before performing equipment maintenance could cause serious injury or death.



NOISE HAZARD

You may be injured by loud noise. Hearing protection may be required when using this equipment.



OPERATOR TRAINING

All personnel must be trained before operating equipment.



KNOW WHERE AND HOW TO SHUT OFF THE EQUIPMENT IN CASE OF AN EMERGENCY



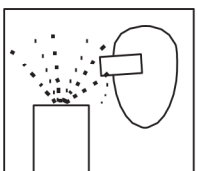
KEEP EQUIPMENT GUARDS IN PLACE

Do not operate the equipment if the safety devices have been removed.



HIGH PRESSURE CONSIDERATION

High pressure can cause serious injury. Relieve all pressure before servicing. Hose leaks, or ruptured components can inject fluid into your body and cause extremely serious injury.



PROJECTILE HAZARD

You may be injured by venting liquids or gases that are released under pressure, or flying debris.



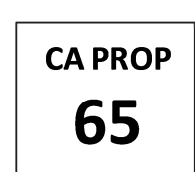
AUTOMATIC EQUIPMENT

Automatic equipment may start suddenly without warning.



PINCH POINT HAZARD

Moving parts can crush and cut. Pinch points are basically any areas where there are moving parts.



**CA PROP
65**

PROP 65 WARNING

WARNING: This product contains chemicals known to the State of California to cause cancer and birth defects or other reproductive harm.



MAGNETIC FIELD PRESENT

You may be subjected to magnetic fields which may interfere with the operation of certain pacemakers.



MAGNET HAZARD

Take care when handling magnets. Avoid getting magnets in close proximity of each other. Injury or damage to magnets may result.

KEY

= GREASE (AGMD-010)

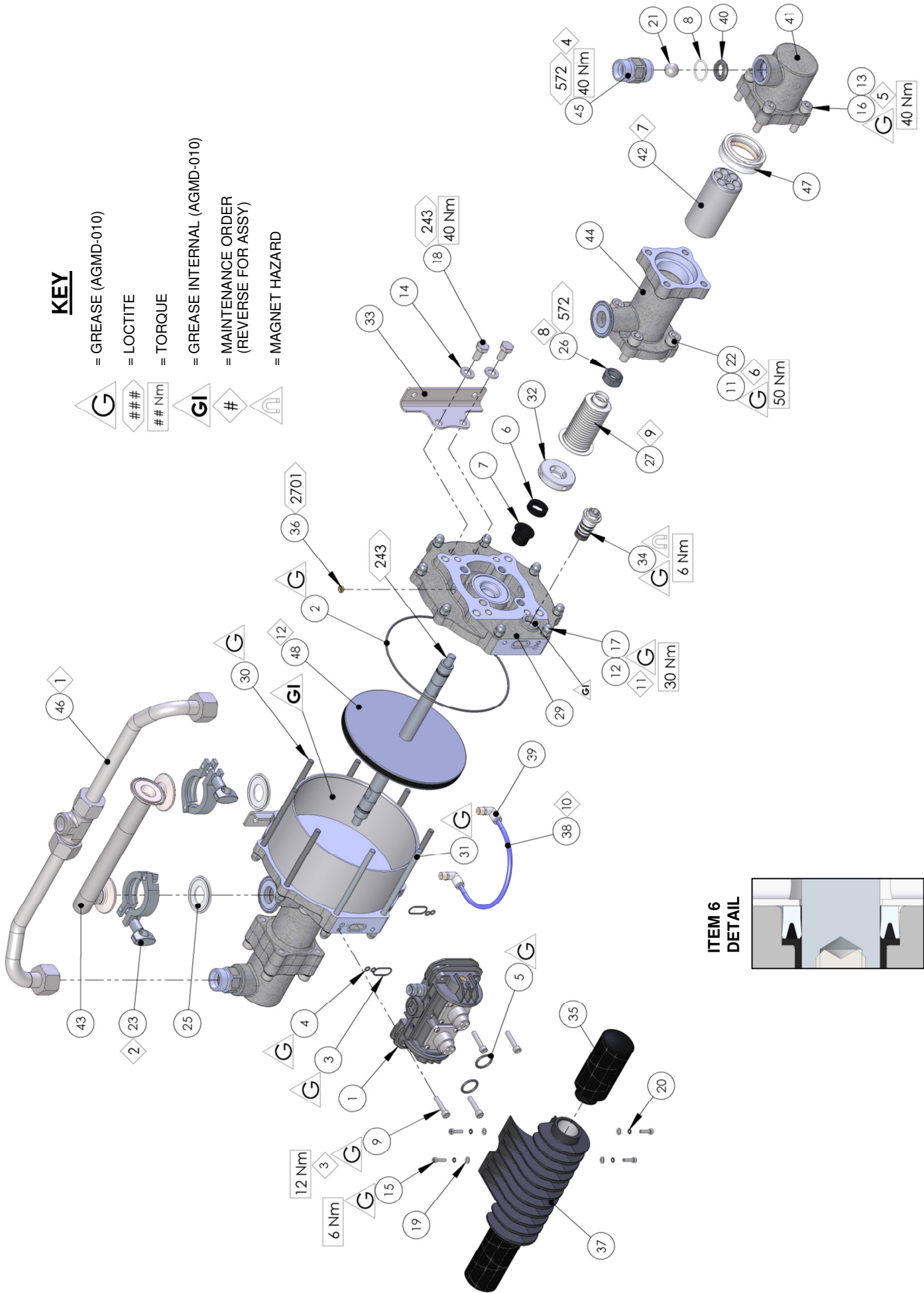
= LOCTITE

= TORQUE

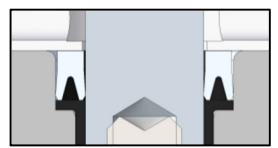
= GREASE INTERNAL (AGMD-010)

= MAINTENANCE ORDER
(REVERSE FOR ASSY)

= MAGNET HAZARD

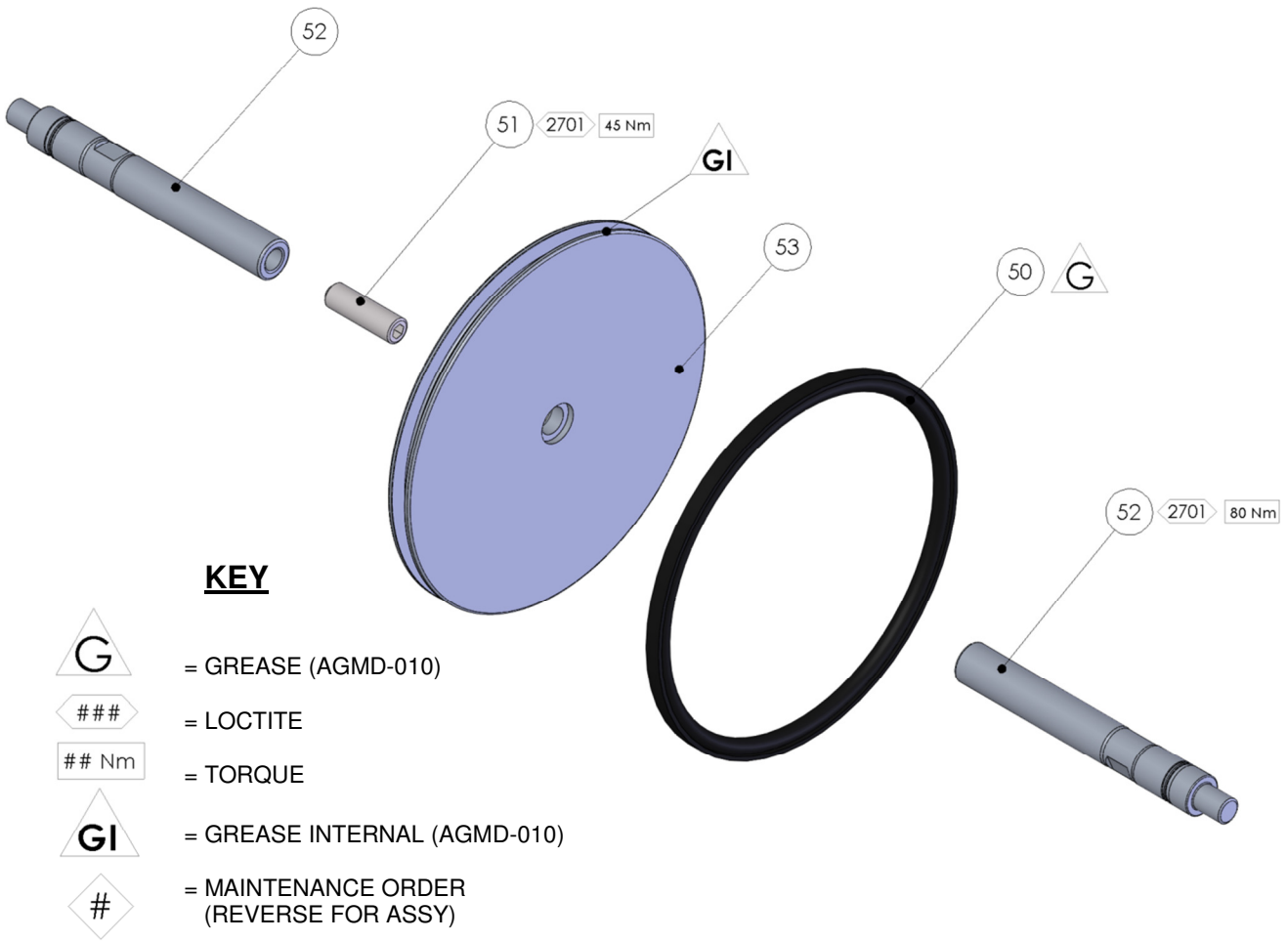


ITEM 6
DETAIL

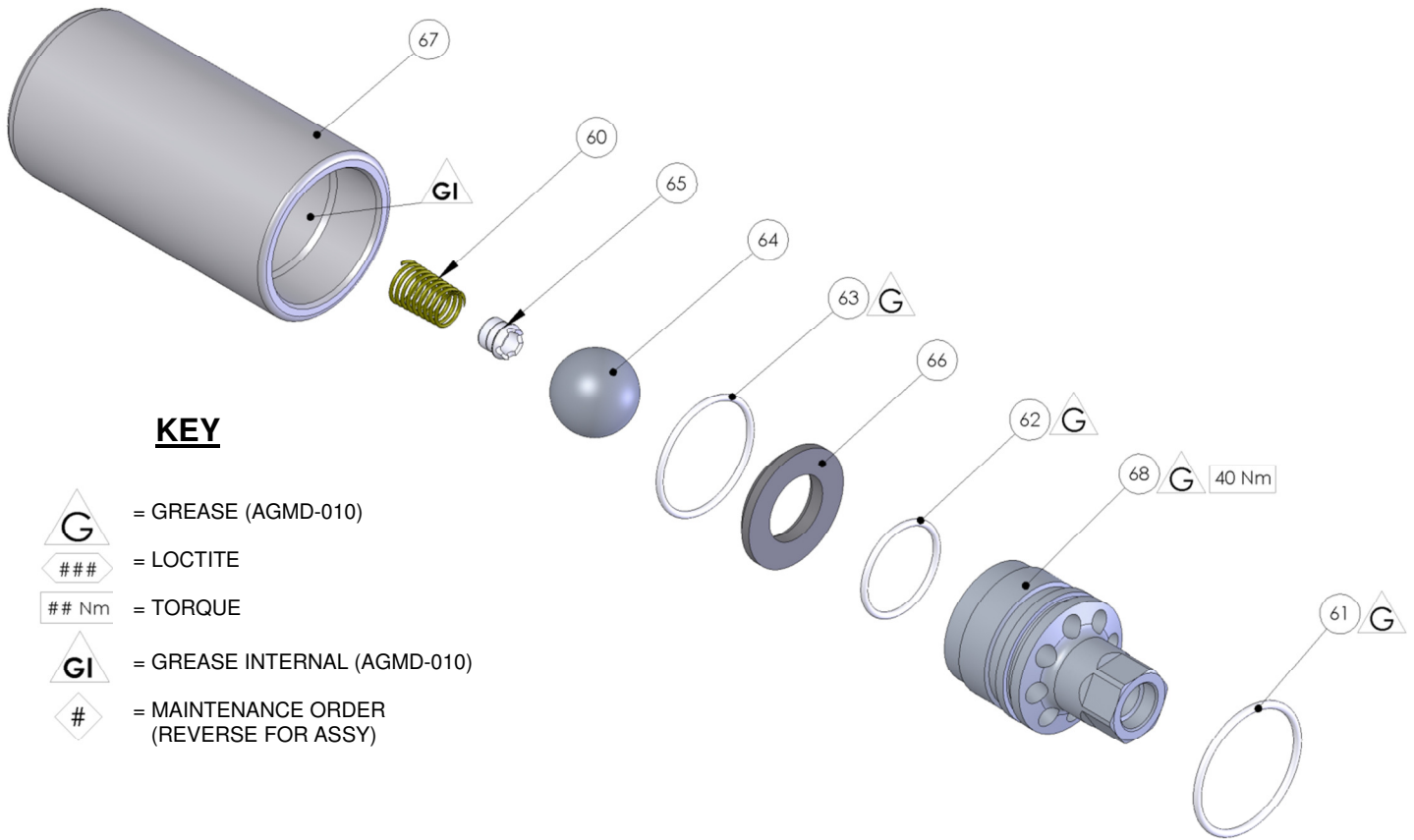


Parts List – 104041

ITEM	PART No	DESCRIPTION	QTY	REMARKS
1	0115-010102	AIR VALVE ASSEMBLY	1	
2	161992	Ø117.5 x 2.62 VITON O-RING	2	③
3	161993	Ø20.35 x 1.78 VITON O-RING	2	③
4	161994	Ø4.47 x 1.78 O-RING	4	③
5	161995	Ø19.5 x 3.00 O-RING	2	③
6	162703	SHAFT SEAL	2	③
7	162704	SHAFT BEARING	2	③
8	162746	Ø25.5 X 2 O-RING PTFE	2	① ②
9	163920	M6 x 30 CAP HD SCREW (ST ST)	4	
10	164838	No 2 x 4.75 RIVET	2	
11	165044	M12 SPRING WASHER STST	8	
12	165108	M8 SPRING WASHER	16	
13	165123	Ø10 SPRING WASHER (STST)	8	
14	165135	M10 PLAIN WASHER (ST ST)	4	
15	165528	M4 x 16 CAP HD SCREW (STST)	4	
16	165948	M10 x 40 CAP HD SCREW (ST ST)	8	
17	165963	M8 DOME NUT	16	
18	165965	M10 x 16 HEX HEAD SET SCREW (STST)	4	
19	165970	M4 PLAIN WASHER (STST)	4	
20	165971	Ø4 SPRING WASHER (STST)	4	
21	171714	3/4 BALL 440C	2	②
22	177009	M12 X 35 CAPHEAD SCREW	8	
23	192009	1 & 1 1/2 SANITARY CLAMP	2	
24	192147	NAMEPLATE	1	
25	192206	1 SANITARY GASKET PTFE	2	① ②
26	192374	RETAINING NUT	2	
27	192579	KNIFED BELLOWS	2	②
28	192757	MAPLE CYLINDER	1	
29	192758	END PLATE	2	
30	192761	CYLINDER STUD	6	
31	192762	CYLINDER STUD LONG	2	
32	192763	BELLOWS SPACER	2	
33	192764	PUMP BRACKET	2	
34	192765	PILOT SPOOL ASSY	2	#
	192773	PILOT SPOOL O-RING	6	③-NOT SHOWN
35	192777	1" MUFFLER	2	
36	192799	VENT PLUG	2	
37	192812	EXHAUST ADAPTER	1	
38	192814	BELLOWS LEAK HOSE	1	②
39	192815	1/8R - 6MM PUSH IN ELBOW	2	②
40	193190	OUTLET SEAT	2	
41	193225	OUTLET CYLINDER	2	
42	193357	PISTON ASSEMBLY	2	
43	193360	INLET MANIFOLD	1	
44	193361	INLET CYLINDER	2	
45	193367	OUTLET CHECK	2	
46	193419	OUTLET MANIFOLD ASSEMBLY	1	
47	193195	PISTON SEAL	2	# ① ②
48	Detail A	AIR MOTOR PISTON ASSEMBLY	1	



Item 48 – Detail A				
ITEM	PART No	DESCRIPTION	QTY	REMARKS
50	162702	PISTON SEAL	1	Ⓢ
51	165964	M12 x 40 GRUBSCREW (ST ST)	1	
52	192759	PISTON SHAFT	2	
53	192760	PISTON	1	





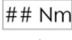



KEY

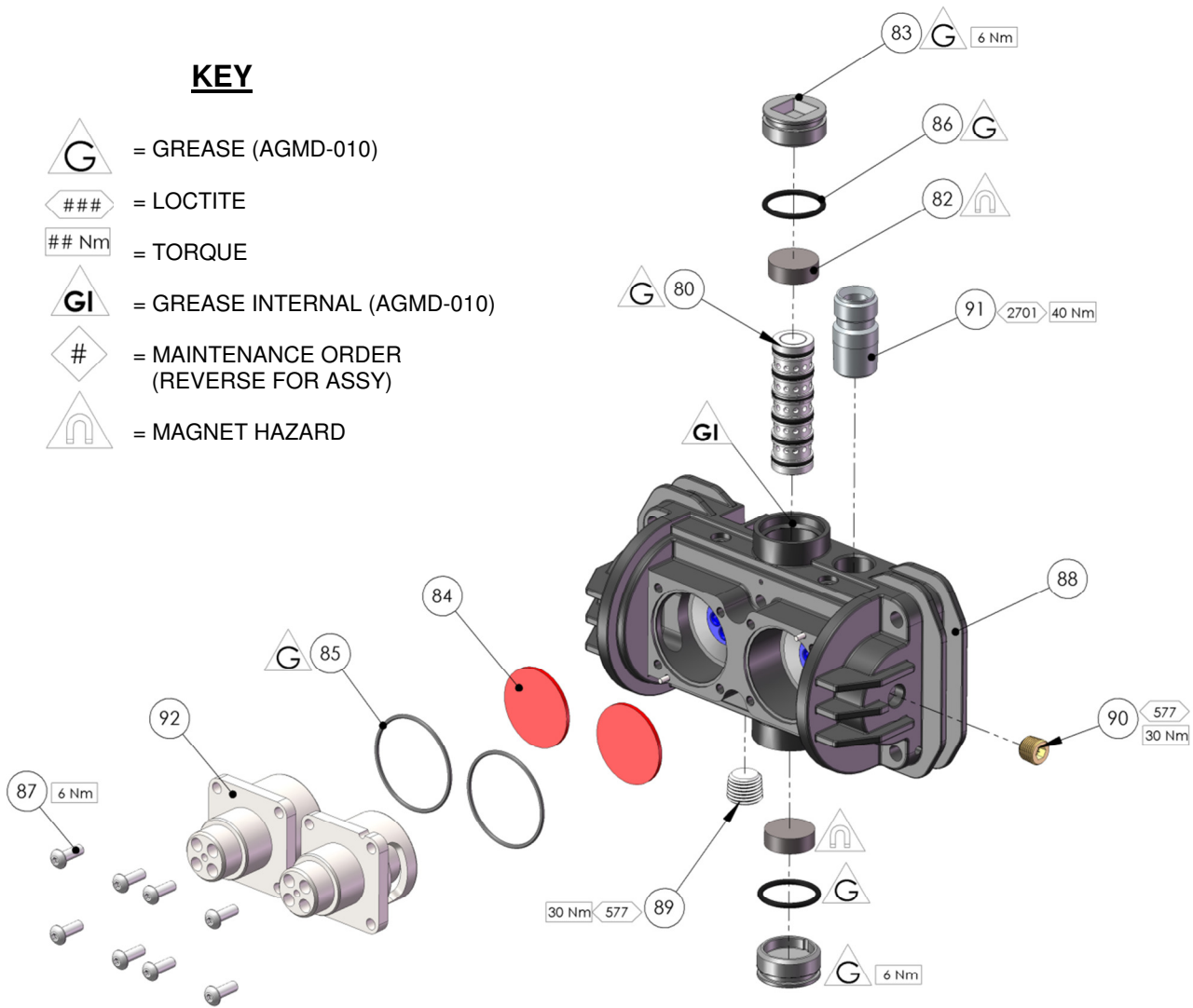
- = GREASE (AGMD-010)
- = LOCTITE
- = TORQUE
- = GREASE INTERNAL (AGMD-010)
- = MAINTENANCE ORDER (REVERSE FOR ASSY)

Item 42 - 193357 Piston Assembly

ITEM	PART No	DESCRIPTION	QTY	REMARKS
60	160526	CONICAL SPRING	1	②
61	162743	Ø33 X 2 'O' RING PTFE	1	①②
62	162744	Ø23.52 X 1.78 ORING PTFE	1	①②
63	162745	Ø29.9 X 1.78 O'RING PTFE	1	①②
64	193181	0.875 BALL	1	②
65	193188	INLET SPRING KEEP	1	②
66	193189	PISTON SEAT	1	
67	193358	Ø46 PISTON	1	
68	193359	PISTON KEEP	1	

KEY

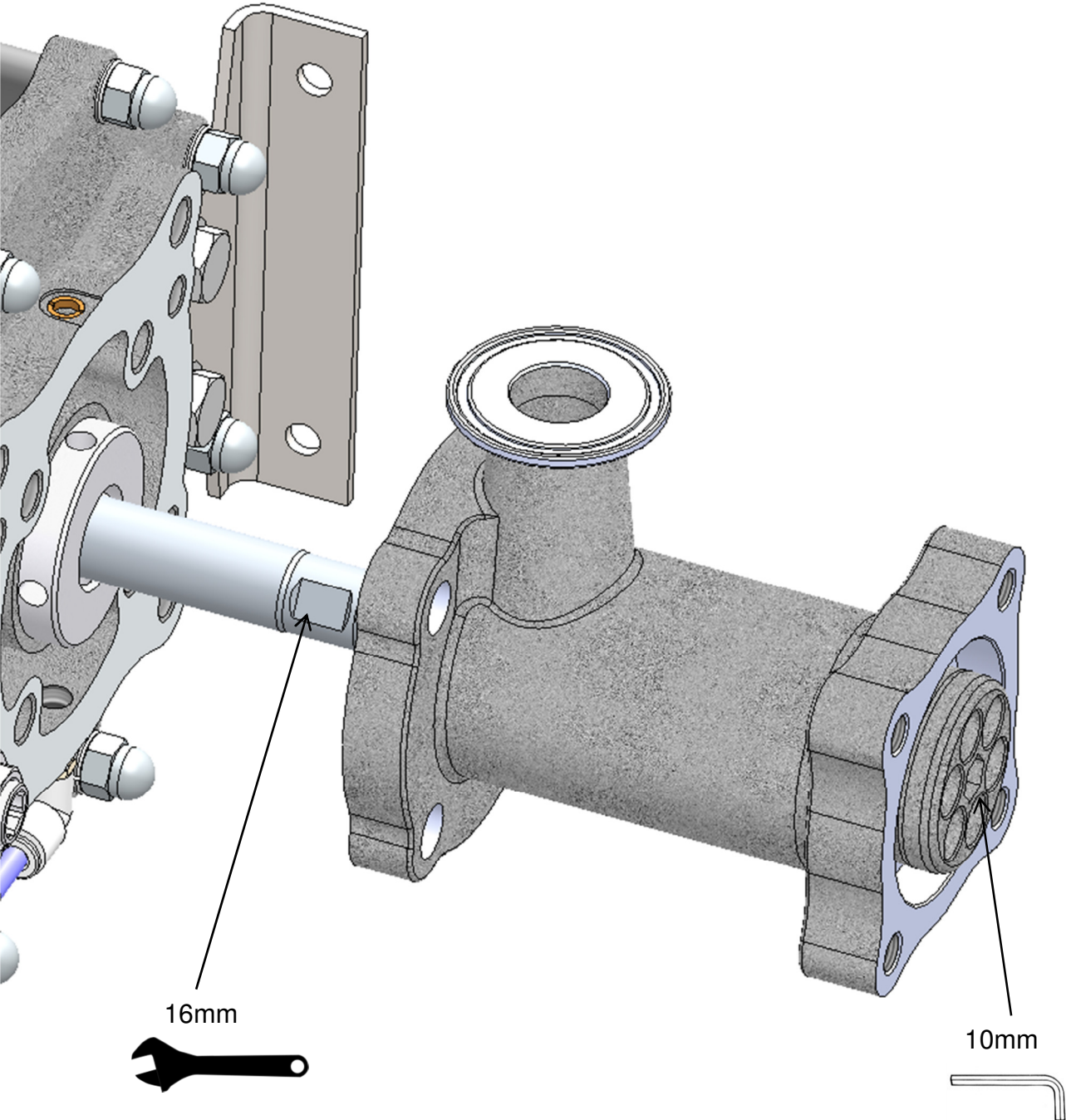
-  = GREASE (AGMD-010)
-  = LOCTITE
-  = TORQUE
-  = GREASE INTERNAL (AGMD-010)
-  = MAINTENANCE ORDER (REVERSE FOR ASSY)
-  = MAGNET HAZARD



Item 1 - 0115-010102 Valve Assembly

ITEM	PART No	DESCRIPTION	QTY	REMARKS
80	0115-010015	SPOOL AND SLEEVE ASSEMBLY	1	#
	162789	SPOOL AND SLEEVE O'RING	6	Ⓢ Not Shown
81	0115-010016	BUMPER	2	Ⓢ
82	0115-010017	MAGNET	2	
83	0115-010018	VALVE BLOCK END CAP	2	
84	0115-010020	DIAPHRAGM	2	Ⓢ
85	0115-010021	O-RING 1.5 X 36	2	Ⓢ
86	0115-010049	O-RING 2 x 20	2	Ⓢ
87	0115-010073	M4 x 12 SHCS	8	
88	0115-010097	VALVE BLOCK	1	
89	0115-010103	1/4 BSPT PIPE PLUG	1	
90	0115-010107	1/8 BSPT PIPE PLUG	1	
91	180584	3/8 UNIVERSAL FITTING	1	
92	192813	QUICK EXHAUST VALVE CAGE	2	

Removal of a single fluid piston



Fault Finding		
Symptom	Possible Cause	Remedy
Pump will not 'Prime'	<ul style="list-style-type: none"> a. Air getting into the suction hose/manifold b. Worn piston seals c. Ball checks not seating correctly 	<ul style="list-style-type: none"> a. Check seals and hose connections b. Replace piston seals c. Inspect, clean/replace balls/seats
Pump will not run	<ul style="list-style-type: none"> a. No Air or Fluid supply b. Air piston seal worn. c. Pilot valve assemblies inoperable. d. Main air valve inoperable e. QE diaphragm defective f. Ball checks not seating 	<ul style="list-style-type: none"> a. Check air and fluid supply ball valves and supply hoses. b. Replace Piston seal c. Switch/interchange pilot valves to isolate faulty pilot valve and clean/replace. d. Check clean/replace Air valve. e. Check for constant exhaust air when pump is not running. Check/replace QE diaphragms f. Inspect, clean and/or replace balls and seats.
Pump runs but has excessive pulsation	<ul style="list-style-type: none"> a. Air getting into fluid line, air supply restricted. b. Obstructed fluid ball checks. c. Worn air motor piston seals. d. Worn/failed air motor shaft seals. e. Worn fluid piston seal. f. Air exhaust restricted. 	<ul style="list-style-type: none"> a. Check seals and hose connections. Check air supply b. Remove, clean, and inspect seat, ball, and ball cage. Replace if suspect or worn. c. Replace air motor piston seal. d. Disassemble pump as required to replace air motor shaft seals. e. Replace fluid piston seal. f. Check QE diaphragms and exhaust outlets.
Paint leaking into detection hose (38) Air bleeding from vent plug (36)	<ul style="list-style-type: none"> a. Bellows seal failure b. Air motor shaft seal leaking. (Air leak from vent plug 36). 	<ul style="list-style-type: none"> a. Replace bellows seal (27) b. Check air motor shaft seal (6), replace as necessary

Spares Kits for Maple 7/15 Pump			
Kit No.	Part No.	Description	Remarks
①	250653	Fluid Section Service Kit	Check Main Parts List for details of individual Kit Contents
②	250655	Fluid Section Overhaul Kit	
③	250657	Air Motor Seal Kit	
#	192765	Pilot Valve Assembly	2off per Pump
#	0115-010015	Main Spool & Sleeve Valve Assembly	1off per Pump
#	193195	Piston Seal	2off per Pump
#	192579	Knifed Bellows	2off per Pump
# - Recommended Spare Parts for continually running pumps			

Maintenance Schedule	
Inspection	Operation
Daily	Check for any general fluid or air leakage.
Weekly	Inspect Pump for Correct operation Check for any excessive mechanical noise Check for excessive fluid pressure pulsation
6 Monthly Test	Perform a pump stall test to ensure correct operation. <ul style="list-style-type: none"> • If pump does not stall check fluid piston seals and ball checks, replace as required. • If air is escaping through exhaust check air motor piston seal and quick exhaust diaphragm, replace as required.
12 to 36 Months (Typically 10 million Pump Cycles dependant on air quality and abrasiveness of the paint used)	Replace Air Piston seal Replace shaft seals & bearings
	Inspect and replace if required:- Pilot Air Valves Main Air Valve Parts
	Replace Fluid Piston Seal Replace Balls and Seats Replace Bellows

Accessories		
Part No.	Description	Remarks
192206	1" Sanitary Gasket	
192009	1 & 1½" Sanitary Clamp	
502608	Seal Insertion Tool	For Shaft seal (9)
502769	Bellows Assembly Tool	
502382	Bellows Assembly Spigot	
AGMD-010	Kluber Isoflex Topas NB 52 (Grease type #)	50 ml Tube
192779	Exhaust Tube Adapter (1" NB hose)	For piped exhaust
192820	Exhaust Tube Adapter (1¼" NB hose)	For piped exhaust
192803	1" Manifold Plug	For piped exhaust
192821	1" BSP Heavy Duty Mufflers	Recommended for high pump pressures and cycle rates

Installation

This product should be flushed with a suitable compatible solvent prior to use.

Mount the pump securely and position the pump at a convenient height (below the lid height of the paint container), to allow for maintenance, visual observation, and periodic inspection. The wall mount bracket is included with all pumps.

The Pump Mounting bracket must be connected to a suitable earth ground to ensure that there is no possibility of static build up.

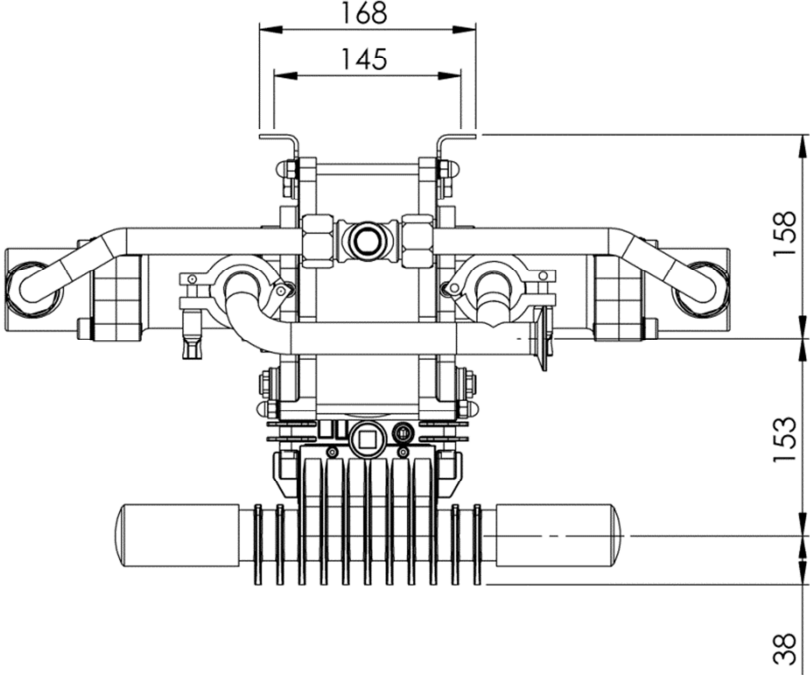
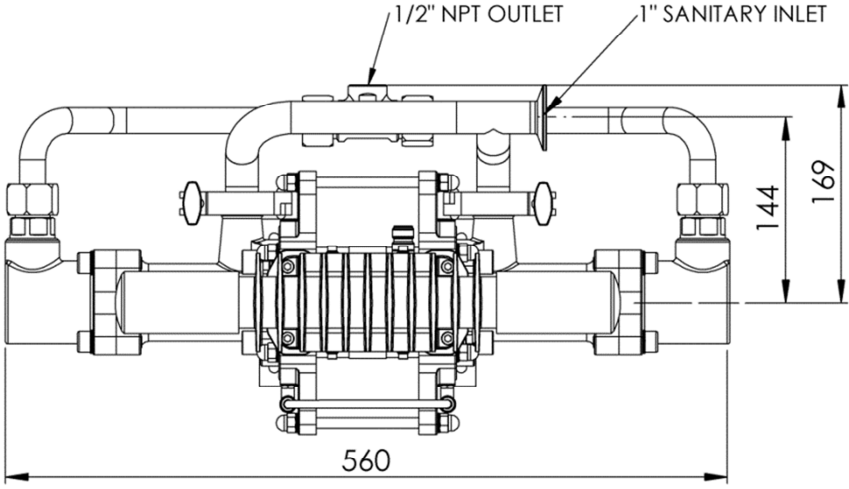
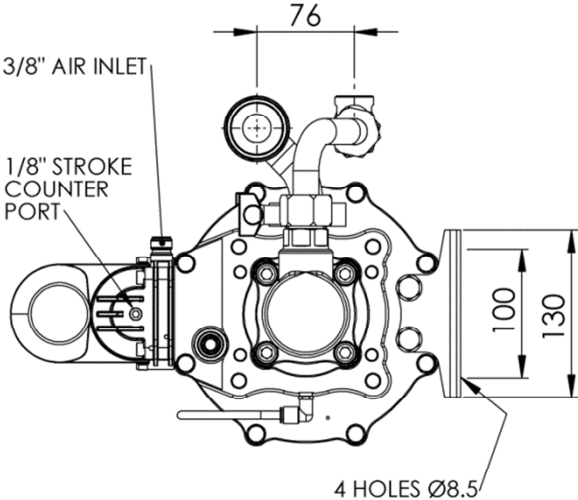
Attach suitable flexible hoses to the inlet and outlet connections. Connect a suitable 3/8 NB air hose and ½" Pressure Filter Regulator to the air motor. (Filter rated at minimum 1000 L/min)

No additional air lubrication is required as piston ring lubricant is applied during assembly or repair. If an air lubricator is used then this must be maintained.

Set the pump speed to a slow cycle rate and start the pump to remove any air from the fluid circuit before increasing pressure. Inspect for any air or fluid leaks.

If an air blow out system is used, never exceed 2 Bar on the inlet of the pump.

Exhaust kits are available for these pumps if the air exhaust is required to be piped away from the pump rather than exhausting locally through the mufflers.





Justus-von-Liebig-Straße 31, 63128 Dietzenbach. DE
Tel. +49 (0) 6074 403 1 Fax. +49 (0) 607 403 300
General e-mail: info@finishingbrands.eu

Ringwood Road, Bournemouth, Dorset BH11 9LH. UK
Tel. +44 (0)1202 571 111 Fax. +44 (0)1202 573 488
General e-mail: info@finishingbrands.eu

163-171, Av. des Auréats, 26014 Valence cedex. FR
Téléphone : +33 (0) 4 75 75 27 53 Télécopie: +33 (0) 4 75 75 27 79
General e-mail: info@finishingbrands.eu

USA Canada Customer Service

195 Internationale Blvd.
Glendale Height, IL 60139
630-237-5000

Toll Free Customer Service and
Technical Support 800-992-4657
Toll Free Facsimile 800-246-5732