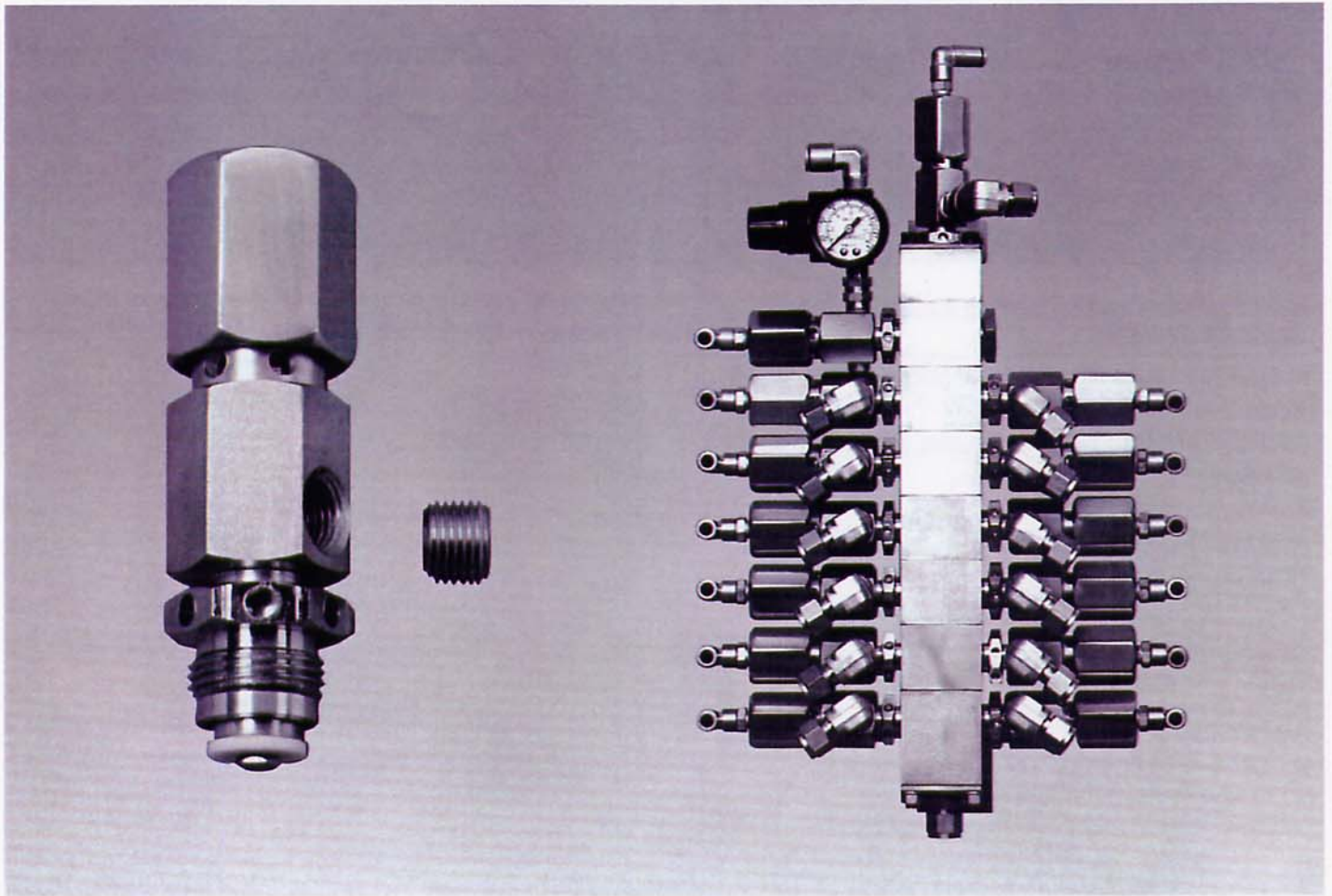


## ***Modular Color Change System***



### ***A World of Colors***

With the focus on the rapidly changing world of industrial coatings, ITW Ransburg's Modular Color Change System incorporates a practical and flexible valving assembly suitable for a wide variety of applications ranging from small industrial shops to major automotive lines. The valving assembly consists of patented pneumatically-operated fluid valves and manifold blocks designed for all types of coatings.

### ***Compatibility and Flexibility***

All wetted parts in the valve and manifold are either 300 series stainless steel or Teflon® for compatibility with today's coatings including waterborne, high solids, and catalyzed materials. Dual porting allows circulation through the valve. A stainless steel plug is also provided for single inlet applications.

### ***Modular Design Offers Versatility***

The modular design allows for the changing needs of fluid supply systems. Valving assemblies consist of modular blocks which can easily be expanded. In addition, these same valves are used for rotary atomizer triggering and fluid dump functions, thus simplifying maintenance and part stocking. A wide variety of manifold blocks, adapters and fittings provide versatility for a variety of applications.

### ***Ease of Installation and Maintenance***

Assembly of the valve to the manifold or adapter fitting is accomplished easily and quickly. The valve threads directly into the manifold or fitting by a unique captive hex fitting. The fitting rotates, eliminating the need to rotate the valve body or hose connections. This facilitates fast installation and ease of accessibility for maintenance.

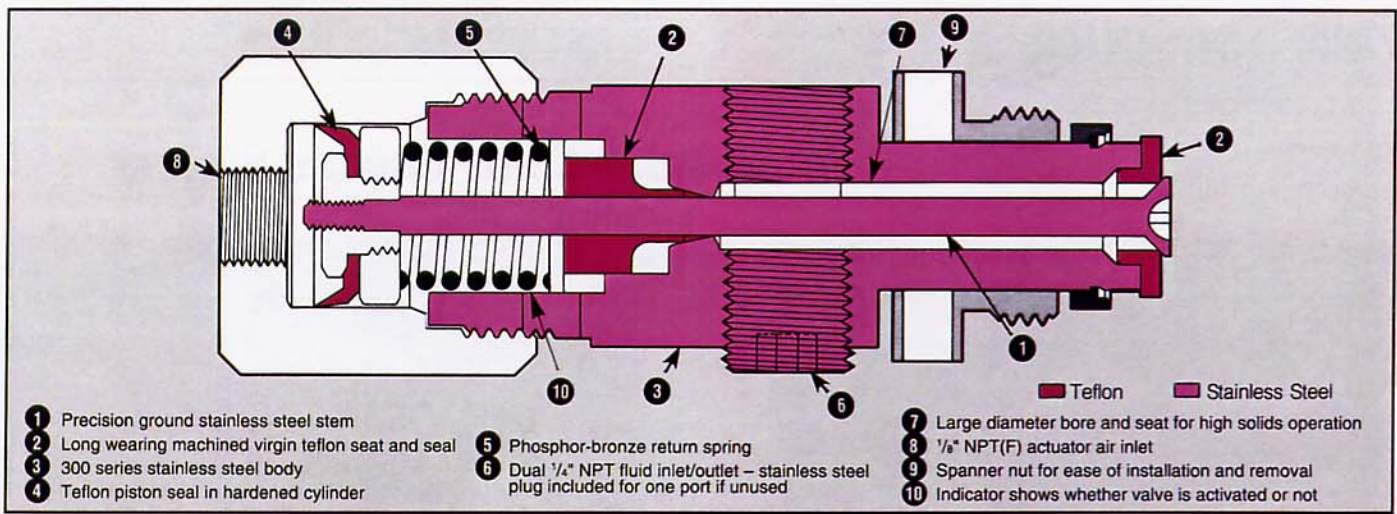
### ***Variety of Manifold Arrangements***

The manifold block is the building element into which all valves are assembled. Manifold blocks can be stacked as a pre-assembled unit to hold an appropriate number of valves for multi-color installations.

### ***System Capability***

ITW Ransburg's capabilities in color change systems do not stop at the valving assembly. ITW Ransburg has engineered, built and installed modular color change systems ranging from simple manual control to major automated color change installations employing programmable controllers for color selection as well as metering of fluid delivery rates.





### Specifications and Operating Range CCV-403-SS Valve

Nominal Dimensions: 4" long x 1-1/8" hex

Weight: 10 oz.

Air Requirements: 70-100 PSIG operating pressure

Air Inlet: 1/8" NPT (F)

Fluid Pressure: 300 PSIG (max.)

Fluid Inlet: 1/4" NPT (F) x 2 ports

\*Fluid Outlets:

From KK-4372 Adapter, 1/8" NPT (F)

From CCV-34-SS Adapter, 1/4"-18 NPS (M)

From CCV-18-SS Manifold block, 1/4" NPT (F)

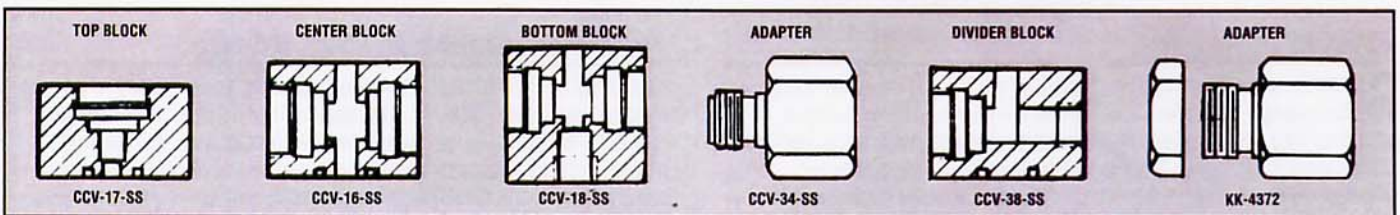
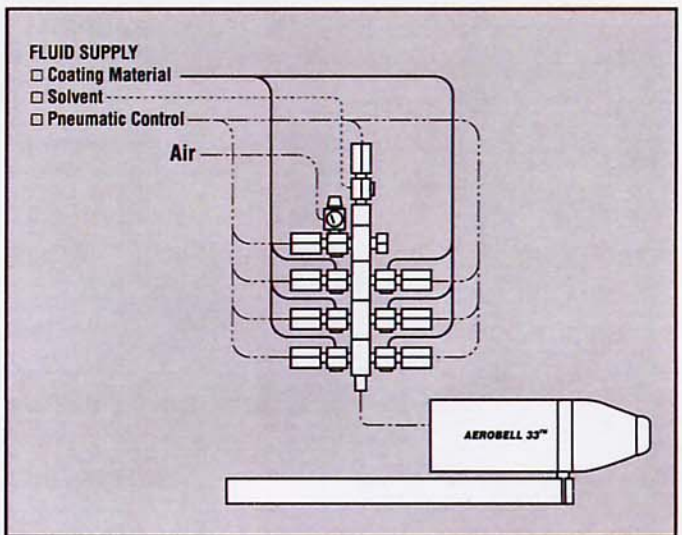
From CCV-38-SS Manifold divider block, 1/4" NPT (F)

\*Not supplied with valve

Spanner Hex Size: 1-1/16"

Fluid Flow: 3800 CC/min @ 47 PSI pressure drop  
(Paint viscosity @ 700 centipoise)

Actuation Speed, On-Off Cycle: 55 cycles/min.



#### CCV-17-SS

This single valve block is designed to dispense solvent and/or air from the top of a color valve manifold. This "straight shot" design permits rapid and effective purging and cleaning of the manifold passages.

#### CCV-16-SS

Basic manifold block designed to accept two CCV-403-SS valves or one valve plus a KK-4370 plug kit.

#### CCV-18-SS

Designed for use at the bottom of the manifold stack, this two-valve block has a 1/4" NPT (F) outlet in a straight-through configuration. This block can also be used with a CCV-36-SS plate to create a simple two-valve manifold.

#### CCV-34-SS

A single valve outlet adapter designed for direct connection to a 1/4" NPSM (F) swivel fitting.

#### CCV-38-SS

This block provides a means of dividing a manifold into two or more independent sections or, it can be used as the main outlet in place of the CCV-18-SS.

#### KK-4372

Single valve outlet and mounting adapter with jam nut. Provides a 1/8" NPT (F) outlet, designed for mounting in a 41/64" diameter hole in a bulkhead or bracket up to 1/4" thick.

#### KK-4370

Plug and gasket kit for blocking off unused manifold valve ports. Fits CCV-16, 17, 18, 38-SS.

#### KK-4385

Manifold assembly kit contains all the required seals and hardware, including two CCV-37 brackets and four support rods needed to make up a manifold assembly containing up to 25 valves.

Additional information on modular color change systems is available in Service Bulletin LN-9100-00. Contact your ITW Ransburg representative for a copy and to discuss your system needs.

**ITW Ransburg**

Electrostatic Systems

ITW Ransburg Electrostatic Systems

An Illinois Tool Works Company

P.O. Box 913, Toledo, Ohio 43697-0913

Telephone: 419/ 470-2000, Fax: 419/ 470-2270

