



JGHV-531 Manual HVLP Spray Gun
JGA-HVLP Classic Series Spray Guns



JGHV™ Standard-Size Maximum Performer Manual HVLP Spray Gun

- A standard-size manual spray gun designed to maintain the comfortable fit and feel operators prefer.
- The Devilbiss Maximum Performer line can collectively handle more than 90% of the coatings being applied today.
- Improved transfer efficiency, less overspray and bounceback.
- The high transfer efficiency enhances productivity and finish quality. Because more paint is applied on each pass, fewer passes may be required by the operator.
- Maximum Performer HVLP spray guns also meet the legislated VOC requirements of the California South Coast Air Quality Management District.
- Our JGHV Standard-Size Maximum Performer manual spray gun gives you the best of everything.
- The comfortable fit and feel of Devilbiss' classic JGA spray gun.
- High transfer efficiency and superior atomization of HVLP.
- 300-grade stainless steel fluid passages for waterborne compatibility.

JGA-HVLP Classic Series Spray Guns Pressure Feed & Suction Feed

- 300-grade stainless steel fluid passages offer waterborne compatibility, corrosion resistance and protection from harsh self-etching primers.



JGHV™

Standard-Size Maximum Performer
Manual HVLP Spray Gun

Ordering Information

The JGHV Standard-Size Maximum Performer manual spray gun is available with the following air cap and fluid tip set-ups, factory assembled for immediate delivery.

Order No.	Gun Inlet Pressure
JGHV-531-33FF	50 PSI
JGHV-531-33FX	50 PSI
JGHV-531-46FF	50 PSI
JGHV-531-46FX	50 PSI
JGHV-531-83D	65 PSI
JGHV-531-83E	65 PSI

Air Caps—Patterns & Applications

Air Cap #	Typical Pattern Size & Shape*	Typical Application
33A	9" long, tapered ends similar to #30 air cap	Most common finishing materials up to 12 oz./min.
46MP	11" long, straight-sided similar to #704 air cap	Low VOC material 12 to 16 oz./min.
83MP	13" long, straight-sided similar to #765 air cap	Low VOC material 17 oz./min. & above

*Actual pattern length dependent upon fluid tip ID, fluid flow rate, viscosity, air pressure and fan pressure.

Technical Specifications:

Body:	Drop forged aluminum
Weight:	20.8 oz (599 gr)
Air Inlet:	100 psi (7 bar) max., 1/4" NPS (M)
Fluid Inlet:	100 psi (7 bar) max., 3/8" NPS (M)
Fluid Passages:	Stainless steel
Feed Type:	Pressure Feed
(Material Supply)	
Service Bulletin:	SB-2-246
Gun Repair Kit:	KK-4987-2

Accessories

• Remote Cups

Two-quart remote cups are available in aluminum (KB-555) or stainless steel (KB-545-SS).

• Attached Cups*

One-quart attached cups are available in aluminum with **PTFE** lining (TLC-576) or stainless steel (TSC-591).

*Note: KK-4980 regulator control kit is required for use with these cups and must be ordered separately.

• Additional Accessories

Hose assemblies, air control regulators, air cap test kits, gun and hose cleaning equipment and other accessories also are available.

JGA-HVLP

Classic Series Spray Guns
Pressure Feed & Suction Feed

Ordering Information

The Classic Series JGA-HVLP spray guns are available with the following air cap and fluid tip set-ups, factory-assembled for immediate delivery.

Pressure Feed Part No.	Suction Feed Part No.
JGA-510-98FX*	JGA-510-57DE* JGA-510-57D*

*Cup not included; order separately.

These guns with fluid tip and needle can be ordered separately without air cup and retaining ring: JGA-510-D (Suction Feed)
JGA-510-FX (Pressure Feed)

Air Caps—Patterns & Applications

Air Cap #	Pattern Size*	Typical Application*	Feed Type
57	10 – 11" (22 cfm)	Low Solids: Enamels, Lacquers, Stains, Sealers, Primers	Suction Feed D (.086) DE (.070)
98	11-1/2" (11 cfm)	Low Solids: Enamels, Lacquers, Stains, Sealers, Primers	Pressure Feed FX (.042)

*Spray pattern size dependent upon type of feed, material viscosity and air cap pressure.
• Up to 24 seconds, #4 Ford Cup.

Technical Specifications

	Pressure Feed	Suction Feed
Body:	Drop forged aluminum	Drop forged aluminum
Weight:	20.4 oz (578 gr)	21.4 oz (608 gr)
Air Inlet:	100 psi (7 bar) max., 1/4" NPS (M)	100 psi (7 bar) max., 1/4" NPS (M)
Fluid Inlet:	3/8" NPS (M)	3/8" NPS (M)
Fluid Passages:	300 grade stainless steel	300 grade stainless steel
Feed Type:	Pressure feed	Suction feed
(Material Supply)		
Air Cap:	98	57
Service Bulletin:	SB-2-187	SB-2-248
Gun Repair Kit:	KK-4987-2	KK-4987-2

JGA-HVLP Application Guide

- Maximum 8 oz./min. fluid flow.
- Lower solids coatings.
- Medium to high V.O.C. coatings (4.0-5.0 lbs./gal.)
- Smaller compressors – 3 h.p. is usually sufficient.
- Requires only 11 CFM at 10 PSI air cap pressure.
- Class "B" finish quality requirements.

Accessories

Pressure Feed

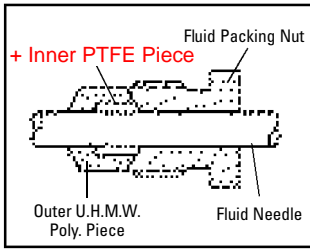
- Two-quart remote cups are available in aluminum (KB-555) or stainless steel (KB-545-SS).
- One-quart attached cups* are available in aluminum with **PTFE** lining (TLC-576) or stainless steel (TSC-591).
- * Note: KK-4980 regulator control kit is required for use with these cups and must be ordered separately.
- Hose assemblies, air control regulators, gun and hose cleaning equipment and other accessories also are available.
- 303-grade lapped tip and needle set JGA-4056-FX.

Suction Feed

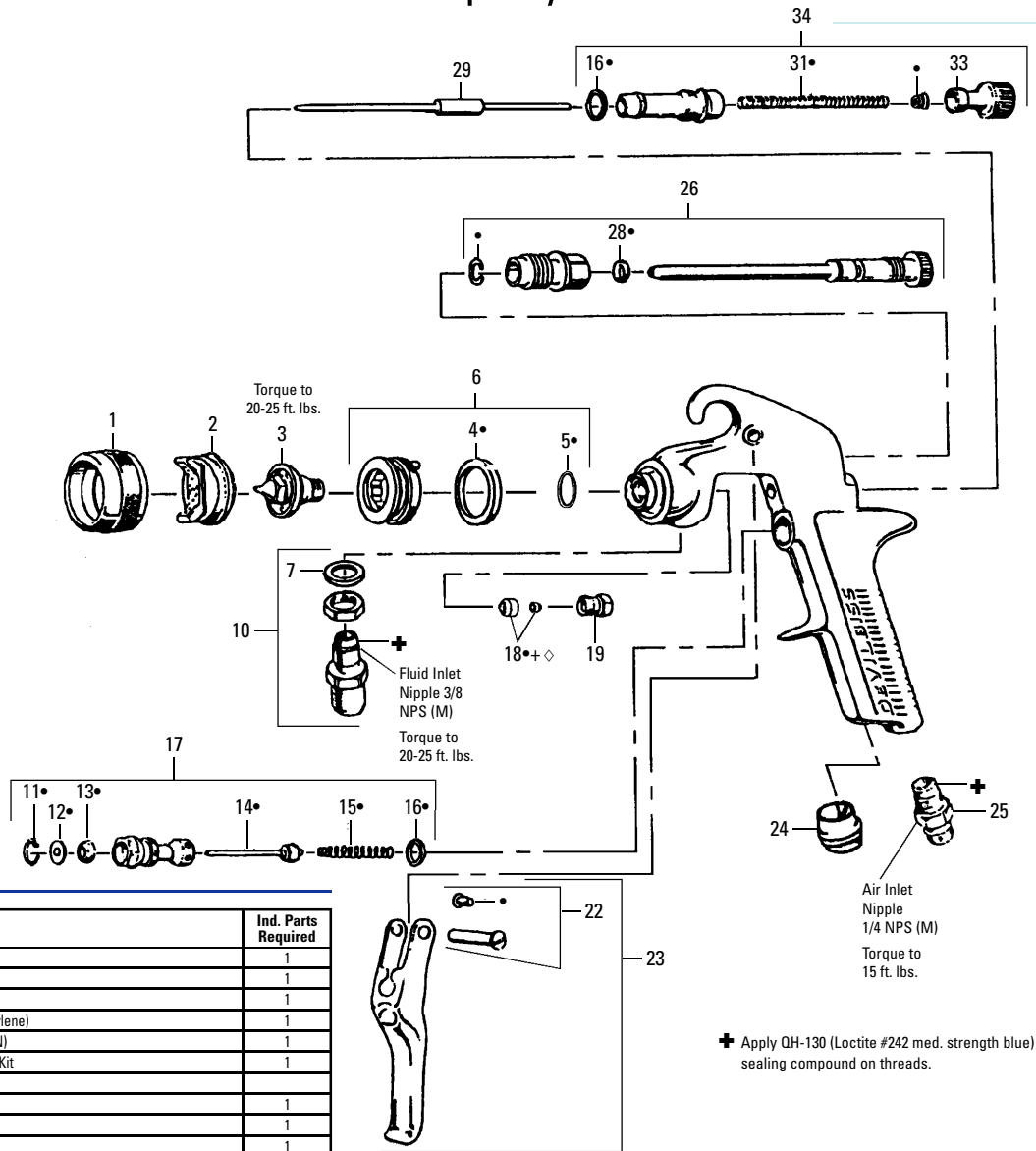
- One-quart paint cups available in **PTFE**-lined aluminum (TLC-555), aluminum (TGC-545) and stainless steel (TSC-595).
- One-pint aluminum cup (TGC-536) is also available.
- Hose assemblies, air control regulators, gun and hose cleaning equipment and other accessories also are available.

JGHV-531 Maximum Performer Spray Gun

JGV-463 Packing Assembly



◇ Detail Ref. No 18 – Two piece packing
+ Tapered edge faces out towards packing nut.



JGHV Parts List

Ref. No.	Model No.	Description	Ind. Parts Required
1	MBC-368	Retaining Ring	1
2	See Chart 2	Air Cap	1
3	See Chart 1	Fluid Tip	1
• 4	JGD-14-K10	Seal (Kit of 10) (Polyethylene)	1
• 5	SSG-8182-K5	O-Ring (Kit of 5) (Buna-N)	1
6	See Chart 2	Baffle, Seal and O-Ring Kit	1
7	MSV-3-K10	Gasket Kit (Kit of 10)	1
10	JGA-4044	Fluid Inlet and Nut Kit	1
• 11	JGA-14-K25	Snap Ring (Kit of 25)	1
• 12	JGA-15-K25	Washer (Kit of 25)	1
• 13	JGS-26-K25	"U" Cup (Kit of 25)	1
• 14	JGS-431-K25	Air Valve (Kit of 25)	1
• 15	MBD-12-K25	Spring (Kit of 25)	1
• 16	JGS-72-K10	Gasket (Kit of 10) (PTFE)	2
17	JGS-449-1	Air Valve Assembly	1
• 18	JGV-463-K3	Fld. Needle Packing (Kit of 3)	1
19	34411-122-K10	Needle Packing Nut (Kit of 10)	1
22	JGS-478	Stud & Screw Kit (Kit includes 3 studs, 5 screws)	1
23	JGS-477-1	Trigger, Stud and Screw Kit (Kit includes 1 each)	1
24	JGA-132	Plug	1
25	P-MB-51	Connector 1/4" NPS	1
26	JGA-497-1	Air Valve Assembly - Horn	1
• 28	SSG-8069-K25	O-Ring Kit (Kit of 25)	1
29	See Chart 1	Fluid Needle	1
• 31	MBD-19-K10	Spring (Kit of 10)	1
33	JGS-16	Needle Adjusting Screw	1
34	JGA-4041	Bushing, Spring & Knob Kit	1
35	See Chart 1	Lapped Fluid Tip and Needle (Not shown) (incl. Ref. Nos. 3 & 29)	1

• A quantity of necessary parts is included in Gun Repair Kit **KK-4987-2** and should be kept on hand for service convenience.

Chart 2 Air Cap & Baffle Combinations

No. Stamped on Parts				CFM @ Cap Pressure				
Air Cap Part No.	Baffle	Ref. No. 2 Air Cap	Ref. No. 6 Baffle	2 PSI	4 PSI	6 PSI	8 PSI	10 PSI
33A	33-50	JGHV-101-33A	JGHV-450-33-50	8.25	11.75	14.5	16.75	18.75
46MP	46-50	JGHV-101-46MP	JGHV-450-46-50	8.5	13.0	16.5	19.75	22.5
83MP	83-65	JGHV-101-83MP	JGHV-450-83-65	10.0	15.5	19.5	23.0	26.0

Chart 1 Fluid Tips (Nozzles) and Needles

STANDARD FLUID TIPS & NEEDLES - MATCHED SETS (400 GR. S.S. TIP/303 S.S. NEEDLE)		
If this is No. on Tip, Order →	Fluid Tip I.D. Inches (mm)	Matched Fluid Tip & Needle Assembly
AV-2115-FX	.042 (1.1)	JGA-4040-FX
AV-2115-FF	.055 (1.4)	JGA-4040-FF
AV-2120-FX*	.042 (1.1)	JGA-4045-FX*
AV-2120-FF*	.055 (1.4)	JGA-4045-FF*
AV-2120-E**	.070 (1.8)	JGA-4045-E**
AV-2120-D**	.086 (2.2)	JGA-4045-D**
OPTIONAL FLUID TIPS AND NEEDLES - MATCHED SETS (303 GR. S.S. AND U.H.M.W. POLY)		
AV-4915-FX	.042 (1.1)	JGA-4056-FX
AV-4915-FF	.055 (1.4)	JGA-4056-FF
AV-4920-FX*	.042 (1.1)	JGA-4051-FX*
AV-4920-FF*	.055 (1.4)	JGA-4051-FF*
AV-4920-E**	.070 (1.8)	JGA-4051-E**
AV-4920-D**	.086 (2.2)	JGA-4051-D**

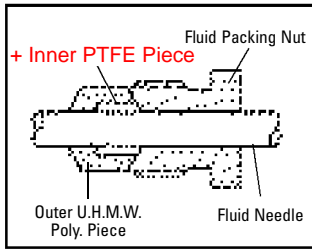
*For use with 46MP air cap.

**For use with 83MP air cap.

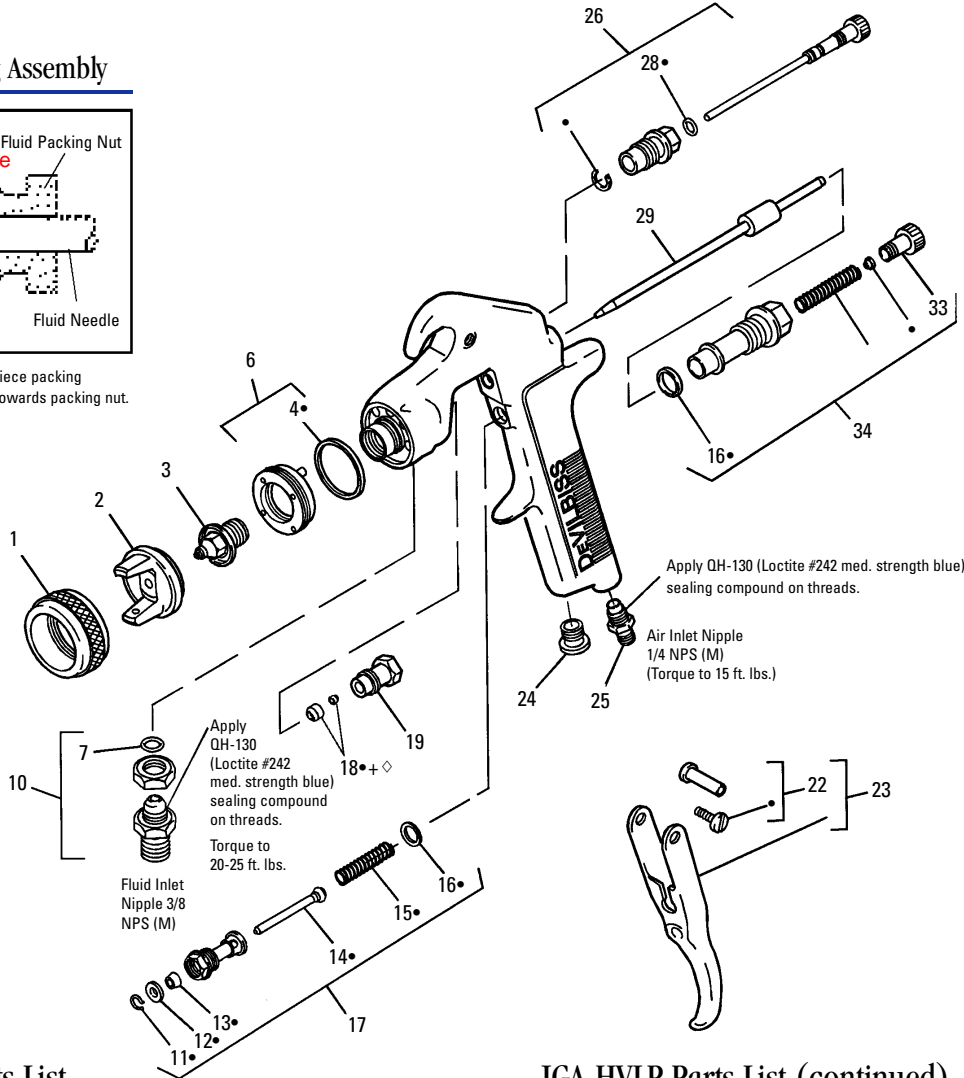
Note: Do not use AV-1 gasket with this spray gun.

JGA-HVLP Classic Series Spray Gun

JGV-463 Packing Assembly



◇ Detail Ref. No 18 – Two piece packing
+ Tapered edge faces out towards packing nut.



JGA-HVLP Parts List

Ref. No.	Model No.	Description	Ind. Parts Required
1	MBC-368	Retaining Ring	1
2	JGHV-101-98	Air Cap	1
#3	See Chart 1	Fluid Tip	1
•4	JGD-14-K10	Gasket Kit, Polyethylene (Kit of 10)	1
6	JGHV-457-98	Baffle and Gasket Kit	1
7	MSV-3-K10	Gasket, PTFE (Blue)(Kit of 10)	1
10	JGA-4044	Fluid Inlet and Nut Kit	1
•11	JGA-14-K25	Snap Ring Kit (Kit of 25)	1
•12	JGA-15-K25	Washer Kit (Kit of 25)	1
▲•13	JGS-26-K25	U-Cup Seal Kit (Kit of 25)	1
•14	JGS-431-K25	Air Valve Kit (Kit of 25)	1
•15	MBD-12-K25	Spring Kit (Kit of 25)	1
▲•16	JGS-72-K10	Gasket Kit, PTFE (Kit of 10)	2
17	JGS-449-1	Air Valve Assembly	1
▲•18	JGV-463-K3	Packing Kit (Kit of 3)	1
19	34411-122-K10	Packing Nut Kit (Kit of 10)	1
22	JGS-478	Stud and Screw Kit (Kit includes 3 studs and 5 screws)	1

Ref. Nos. 3 and 29 include an AV-1 Copper Gasket, which is **NOT** used with JGA-510.

• A quantity of necessary parts is included in Repair Kit **KK-4987-2** for complete gun repair and should be kept on hand for service convenience.

▲ For more limited repair, Soft Parts Kit **KK-5034** is also available (includes items 10, 13, 17, and 26).

JGA-HVLP Parts List (continued)

Ref. No.	Model No.	Description	Ind. Parts Required
23	JGS-477-1	Trigger, Stud and Screw Kit (Kit includes 1 each)	1
24	JGA-132	Plug	1
25	P-MB-51	Nipple	1
26	JGA-497-1	Fan Adjustment Assembly	1
▲•28	SSG-8069-K25	O-Ring, Viton (Kit of 25)	1
#29	See Chart 1	Fluid Needle	1
•31	MBD-19-K10	Spring Kit (Kit of 10)	1
33	JGS-16	Adjusting Screw	1

Chart 1 Fluid Tips (Nozzles) and Needles (Matched Set)

400 Gr. S.S. Tip / 303 S.S. Needle (Standard) JGA-4040-FX .042" (Tip Marked AV-2115-FX)	300 Gr. S.S. Matched Sets (Optional) with U.H.M.W. Poly. Insert JGA-4056-FX .042" (Tip Marked AV-4915-FX)
---	---

Customer Service 1.800.992.4657



ITW Industrial Finishing
Devilbiss
195 Internationale Blvd.
Glendale Heights, IL 60139
630-237-5000
Fax 630-237-5011
www.devilbiss.com

