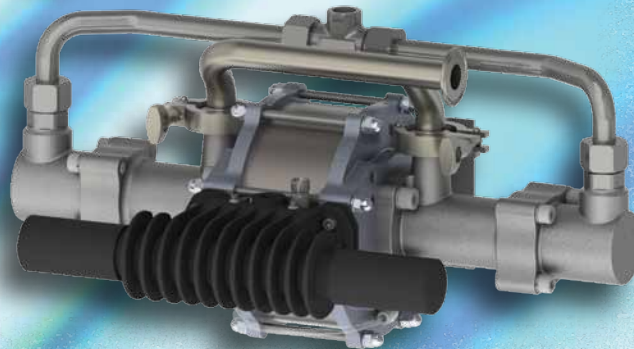
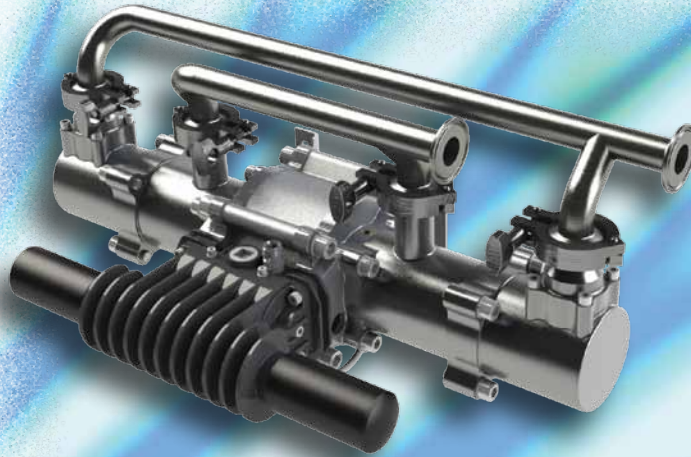


Maple™ Pump

Low Pressure and **New** Medium Pressure Models



The Finishing Industry's Best Pump Solution For:

- *High solids to CARC to UV,
moisture sensitive to shear sensitive coatings*
- *Reliable operation*
- *Simple maintenance*
- *Hydraulic efficiency*

4 Reasons

Why the Binks Maple is the Finishing Industry's Best:

1 **Handles the Troublesome and Difficult Coatings**

- From high solids to CARC to UV.
- From moisture sensitive to shear sensitive.
- Both sides of fluid seal are flooded with fresh material.

2 **Reliable Operation**

- Backup seal ensures you can keep on pumping until the next shift. No need to shut down entire facility if a bellows seal fails.
- Quick exhaust valve enables rapid switchover and smooth flow.
- Quick exhaust valve herds cooling/icing away from the air logic for the industry's most reliable motor.
- Tough construction — these pumps are made from hardened and chemically resistant materials including tungsten carbide, ceramic coated stainless steel, stainless steel, and fluoroplastic.

3 **Simple to Maintain**

- Inspection hose indicates when it's time to replace bellows.
- Backup seal ensures material doesn't enter air motor if bellows seal fails.
- No "upper seal" to keep lubricated or adjusted.

4 **Hydraulically Efficient**

- Piston seals are always engaged. If the air motor is consuming air, you're moving fluid, unlike some competitive designs.

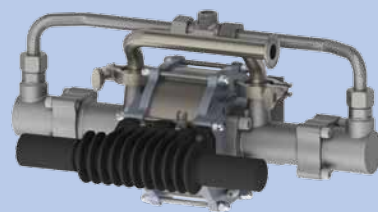
Used worldwide with the following coating systems:

- Waterborne
- High Solids
- High Abrasives
- CARC
- UV Cured
- Solventborne
- Catalyst

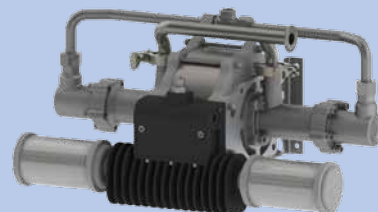
Optimized for Circulation Systems or Spray Gun Feed Applications

New

Choice of two medium pressure models and four low pressure models



Binks Maple 7/15



Binks Maple 8/25

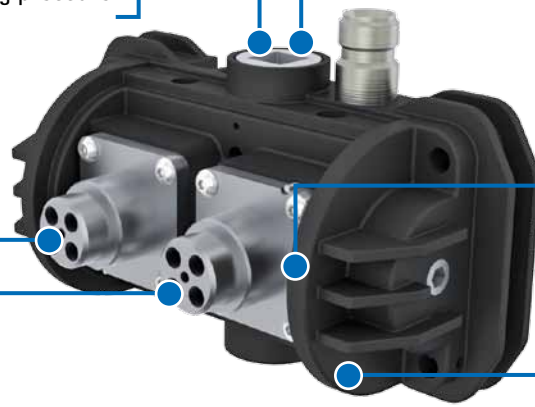
The Finishing Industry's Best Air Motor

Magnetic Detent Air Logic requires less force to switch over. The result is smoother flow and lower minimum operating pressure.

Lube Free Air Logic. Lubrication + Water + Dirt = Mud. The Maple pump uses no lubricant in the air logic and requires no external lubrication.

Quick Exhaust Valve and Poppet Actuated Air Logic Gives You Two Benefits:

- If icing occurs, it is away from the air logic, virtually eliminating "stalling".
- Extremely quick switchover performance for smoother flow.



Low Ice Air Motor.

The Maple pump controls where any icing happens: away from the air logic. The result is the industry's most reliable air motor even with moist air.

Easy to Maintain.

Repair air valve in 5 minutes.

The Finishing Industry's Best Fluid Section

Both Sides of Seal are Flooded with Fresh Material.

Troublesome materials such as UV, waterborne, moisture sensitive or shear sensitive coatings simply aren't a problem.

Binks Maple Pump "Run to Failure" Bellows System:

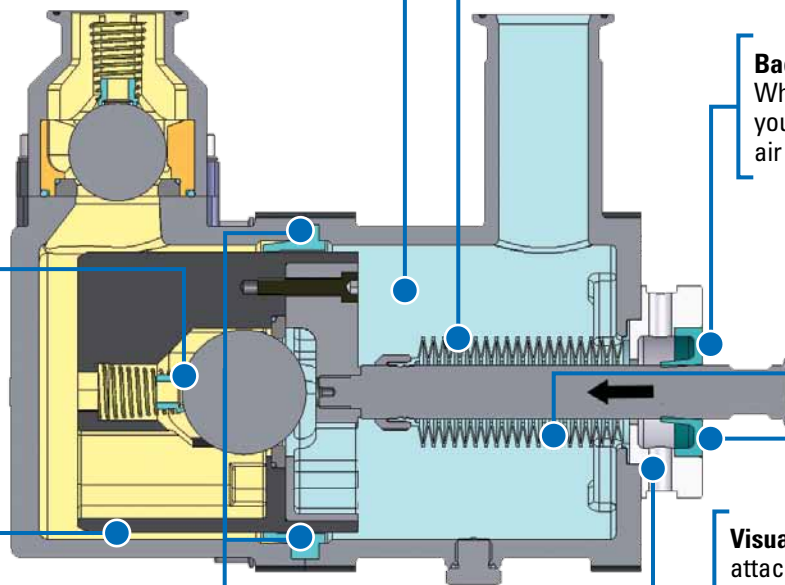
- Has more convolutions than competition to minimize stresses and increase life.
- Is made of fluoroplastic with chemical resistance properties similar to PTFE.

Back Up U-Cup Seal.

When the bellows wear out, you won't contaminate the air motor!

Lower Ball Check in fluid piston.

Ceramic Pistons and Tungsten Carbide Seats give you the industry's best maintenance cycle.



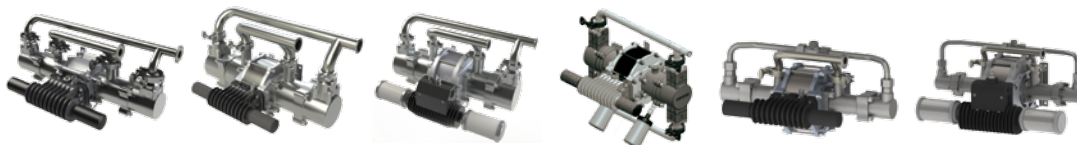
Bellows

Backup Seal

Seal is Always Engaged so you're always moving fluid. You'll consume significantly less air than you would if using a competitive design.

Visual Inspection Hose

attaches here. When you see material here, it's time to change the bellows. But you can keep on pumping until the next shift!



Ordering Information

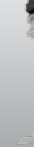
	Maple 15	Maple 30	Maple 60	Maple 20 AFP*	Maple 7/15	Maple 8/25
Part #	104009-N	104010-N	104020	104016	104041-N	104042-N
Weight	46 lbs (21 kg)	66 lbs (30 kg)	145 lbs (66 kg)	77 lbs (35 kg)	57 lbs (26 kg)	88 lbs (40 kg)
Ratio	3:1	3:1	3:1	4.2:1	15:1	25:1
Flow @ 60 Cycles/Min	6 gal (23 liters)	12 gal (45 liters)	24 gal (91 liters)	6.8 gal (26 liters)	2.6 gal (10 liters)	3.2 gal (12 liters)
Displacement/Cycle	375 cc/0.1 gal	750 cc/0.2 gal	1,500 cc/0.4 gal	475 cc/0.125 gal	166 cc/0.044 gal	200 cc/.053 gal
Inlet Fluid Connection	1" Sanitary	1 1/2" Sanitary	1 1/2" Sanitary	1" Sanitary	1" Sanitary	1" Sanitary
Outlet Fluid Connection	1" Sanitary	1 1/2" Sanitary	1 1/2" Sanitary	3/4" Sanitary	1/2" NPT Female	1/2" NPT Female
Air Connection	3/8" NPS (m)/BSP (m)	3/8" NPS (m)/BSP (m)	3/8" NPS (m)/BSP (m)	3/8" NPS (m)/BSP (m)	3/8" NPS (m)/BSP (m)	3/8" NPS (m)/BSP (m)
Wetted Materials						
Max Fluid Pressure	300 psi (21 bar)	300 psi (21 bar)	300 psi (21 bar)	420 psi (29 bar)	1,575 psi (109 bar)	2,625 psi (181 bar)
Air Consumption @ 45 psi	0.17 scfm/cycle	0.33 scfm/cycle	0.75 scfm/cycle	0.33 scfm/cycle	0.33 scfm/cycle	0.7 scfm/cycle
Max Air Inlet Pressure	100 psi (6.9 bar)	100 psi (6.9 bar)	100 psi (6.9 bar)	100 psi (6.9 bar)	100 psi (6.9 bar)	100 psi (6.9 bar)
Max Recommended Continuous Cycle Rate	20 cpm	20 cpm	20 cpm	20 cpm	20 cpm	20 cpm
Instruction Manual Part #	104009	104010	104020	104016	104041	104042

*For use with piggable systems with push and solvent air chop.

Part #	Accessories
41-28283	100 Mesh Filter Kit Top Mount
41-28284	100 Mesh Filter Kit Rear Mount
104050P-B-B	2" Sanitary Active Surge Eliminator
104050P-C-C	1 1/2" Sanitary Active Surge Eliminator
104050P-D-D	1 1/2" NPT (Female) Active Surge Eliminator
104050P-L-L	1" Sanitary Active Surge Eliminator
104053-C-C	1 1/2" Sanitary Surge Chamber
104053-D-D	1 1/2" NPT (Female) Surge Chamber
104053-L-L	1" Sanitary Surge Chamber
104 Series Surge Chambers†	
37 Series Bag Filters	



Part #	Accessories
107750	Low Shear Back Pressure Regulator, 3/4" Ports, Stainless Steel, No Gauge
202-55-2	1.5 HP Heavy Duty Agitator, 55 Gal Cover, 2 Paddles
202-55-4	1.5 HP Heavy Duty Agitator, 55 Gal Cover, 4 Paddles
106946	Electric Agitator - AC Inverter
Connection Kits for Pumps:	
502716	1 1/2" Sanitary x 1" NPT (F) (2 Sets of Parts)
502717	1" Sanitary X 3/4" NPT (F) (2 Sets of Parts)
502744	1" Sanitary X 3/4" NPT (F) (1 Set of Parts)
502745	1 1/2" Sanitary X 1" NPT (F) (1 Set of Parts)
41-28282	1" Sanitary x 1" NPT (F) (1 Set of Parts)
107 Series Low Shear BPRs	
Electric and Air Operated Agitators	



†Contact your local Binks representative to fully configure.

BINKS®

The Single Source Solution
for Spray Finishing and Fluid Handling

www.binks.com • 800.992.4657 (USA/Canada)

Sales and Service Through A Global Network
of Industrial Distributors



Binks® warrants to the original end-use purchaser that the Binks branded products "MX", "Maple", and "Gemini" shall not fail under normal use and service due to a defect in material or workmanship within five (5) years from the date of shipment from Binks. Does not include normal wear. See complete warranty at www.binks.com

Binks is a registered trademark of Finishing Brands.
MX, Maple, and Gemini are trademarks of Finishing Brands.