



Gemini™ & Infinity™

Finishing Pumps & Equipment



Binks

Over 100 Years of Leadership & Innovation

Table of Contents

Binks	2
Pump Basics for Smooth Operation	3
Pump Families	3
Infinity and Gemini Pumps Selection Guide	4-5
Finishing System Checklist	6
Typical Pump Installation Techniques	7
Gemini™ Pumps	
1/2" Diaphragm Pumps	8
Diaphragm Pump Packages	9
1" Diaphragm 1:1 Pumps	10
1" Hi-Volume 3:1 Pump	11
1 1/2" Hi-Volume 1:1 Pump	12
Conversion Chart/Factors and Spec. Form	13
Raptor™ Pumps	
Raptor Pump (Infinity Series)	14
Raptor Systems (Wall and Cart Mounted)	15
Infinity™ Pumps	
"N" Series Pumps 4:1 Ratio	16
"N" Series Pumps 28:1 Ratio	17
"N" Pump Packages	17
Vecter Spray Finishing Outfit 28:1	18
"Pogo" Plus Pump	19
11:1 Two-Ball Pump	20
22:1 Two-Ball Pump	21
23:1 Two-Ball Pump	22
23:1 Two-Ball Pump (15 GPM)	23
30:1 Two-Ball Pump	24
40:1 Two-Ball Pump	25
45:1 Two-Ball Pump	26
60:1 Two-Ball Pump	27
Two-Ball Pump Packages (Wall Mounted)	28
Two-Ball Pump Packages (Cart Mounted)	29
2:1 Four-Ball Pump	30
3:1 Four-Ball Pump	31
4:1 Four-Ball Pump	32
5:1 Four-Ball Pump	33
7:1 Four-Ball Pump	34
Four-Ball Pump Package	35
Four-Ball Hydraulic Pump 0.2:1	36
Four-Ball Hydraulic Pump 0.3:1	37
Pump Accessories	
Pump Support Products	38
Air System Components	39
Fluid Regulators	40-41
Fluid Conditioning	42
Drum Agitators and Covers	43
Siphon Hose and Ball Valves	44
Surge Chambers and Lifts	44
Air and Fluid Hoses	
Premium Spray Finishing Air Hose	45
Lightweight ErgoFlex™ Hose	46
Fluidall™ Fluid Hose	46
Specialized Hose Assemblies	47
Specialized Fluidall™ Hose Assemblies	47
Specialized Hose Assemblies	48-49
Reusable Connections	50
System Solutions	51

Since 1890 when Binks introduced the first cold water airless paint spraying machine, the company has provided the world with superior spray finishing technology. Today, you can find Binks spray finishing technology at work in virtually every industry around the world. Binks extensive product line includes air and airless spray painting outfits, pressure tanks, paint circulating systems, high and low pressure material handling pumps, and much more.

Pump technology has come a long way since its inception. We're proud of the fact that our team of engineers and scientists have been responsible for a number of the technical advances today's pump users have come to rely on for maximum productivity.

As your partner, we ask questions, we listen, and we work hard to provide practical solutions to today's spray finishing challenges. In addition, we work closely with coatings manufacturers to make sure that our application technology delivers today's coatings without sacrificing the quality and production demands of our customers.

Our technical centers and labs are dedicated facilities where we design and test fluid delivery product prototypes. Once we're satisfied with our initial design, we run extensive tests in the field, make design and performance modifications, retest, and then finalize in our constant effort to bring you the best technology available in the marketplace. Our team of experts – engineers, designers, technicians, and customer service professionals – are constantly working to bring you the quality, efficiency, performance, and value you expect from one of the world's most recognized spray finishing brands.

Training

The best finishing operation and equipment in the world can't perform to their fullest potential unless used properly. We offer a number of training opportunities to help your finishing professionals achieve maximum performance from our products. Classes, workshops, and seminars are customized to target your specific educational needs and include both classroom and hands-on sessions on: surface preparation, equipment types, evaluation/quality control, compliance issues, and specific spray applications associated with your industrial finishing operation.

From our nationally renowned Finishing Workshop, to on-site training, to NESHAP required education, our training opportunities are designed specifically for individuals involved with industrial, contractor, and maintenance spray finishing applications. For further information about classwork, hands-on training, and course materials, please contact your Binks Industrial Finishing Specialist.

Infinity® UltraCoat™ Piston Pumps

Infinity UltraCoat™ Piston Pumps feature ceramic coated cylinders and piston rods. Infinity UltraCoat provides the waterborne benefits of stainless steel with the abrasion-resistance of ceramic coating for maximum pump packing endurance and reduced wear-part abrasion and scoring.

Durable UltraCoat is standard on all Infinity piston pumps.

Infinity UltraCoat Piston Pumps are ideal for fluid handling operations which routinely deliver "severe" materials such as abrasives, waterbornes, corrosives, and other materials.



ISO 9001



Pump Basics for Smooth Operation

Fluid Characteristics Influence Pump Selection

Consider the following fluid characteristics when choosing your finishing pump. Matching pumps to the fluids they will deliver will improve pump performance.

- Corrosiveness
- Abrasiveness
- Stability
- Solvent evaporation rate
- Tackiness/adhesion

Diaphragm vs. Piston Pumps

Diaphragm pumps are used for fluids with abrasive and/or shear sensitive materials.

- Groundable Acetal Pumps – excellent low cost pumps for use with flammable materials
- Polypropylene Pumps – excellent low cost pumps for non-flammable materials
- Aluminum Diaphragm Pumps – economical option for oils and water-based and some solvent-based fluids. **They should not be used with halogenated hydrocarbons**

Piston pumps offer high durability for specific fluids.

- Carbon Steel Piston Pumps – have a limited role in solvent-based applications and are not suitable for waterborne applications
- Stainless Steel Piston Pumps – highly versatile pumps offer protection from corrosion with waterborne coatings and new coatings
 - Hard Chrome Plating – for the full spectrum of non-abrasive coatings
 - Ultra or Ceramic Coating – most durable surface available for highly abrasive coatings
 - Non-Coated Stainless Steel – economical option for lower production requirement

Note: Always consult your Binks finishing pump professional when choosing your finishing pumps. In addition, refer to chemical compatibility charts to address durability and compatibility issues.

Technical Terms

Continuous Duty – pumps that operate 24/7/365.

Cycle Rate – number of times the pump completes a pump cycle in a given period of time.

Flow Rate – volume of material that can be pumped in a given period of time.

Maximum Fluid Outlet Pressure – maximum outlet fluid pressure a pump can achieve at stall, no flow.

Pump Cycle – complete upstroke and downstroke (left-right) operation of the air motor piston.

Pump Ratio – relationship between the air or hydraulic motor piston effective area and the lower displacement pump's piston effective area.

Viscosity – resistance of fluid to flowing.

Maximizing Pump Performance

Finishing pumps are influenced by many factors. Keep in mind that the pump must move material from its source through a variety of conditions to the spray gun. Be sure to discuss the following conditions with your Binks finishing pump professional to assure maximum performance of your pump.

- Power supply to ensure adequate air volume
- Air filtration treatment for pump operation
- Flow rates and recommended pressures
- Resistance to flow/back pressure
- Agitator requirements
- Pump location
- Viscosity control
- Material characteristics

Pump Families

Infinity™ Diaphragm Pump Packages

- Abrasion, solids handling, and shear sensitive materials
- Reliable and affordable transfer of low pressure, high volume coatings
- One to multiple spray guns and bulk transfer applications
- Stainless steel seats on all pumps
- Virtually “uninstallable”
- Constant air pressure to enhance performance and reduce pulsation
- Positive prime
- Used for high volume transfer
- Used in place of tanks when the application requires two or more tank refills per shift
- Low pressure conventional or HVLP applications
- Good for abrasive material
- Passages for shear sensitive materials

Infinity™ “N” Series

- Powerful performance
- Economical price

- Stainless steel construction
- Stall-free, ice-free air motor design
- 50% fewer parts
- Majority of comparable maintenance

Infinity™ “Pogo” Plus Pump

- 55 gallon drum pump
- Stub pump version
- Wetted materials, stainless steel or carbon steel
- UHMW polyethylene and PTFE

Infinity™ Two-Ball w/UltraCoat™

- Easy maintenance
- Aggressive, corrosive, abrasive, waterbornes, UV-cure, acid-cure, catalyzed coatings and caustic
- All-stainless steel wetted components for waterborne compatibility
- Tungsten-carbide seats
- UltraCoat™ on piston and rods that outperforms hard chrome

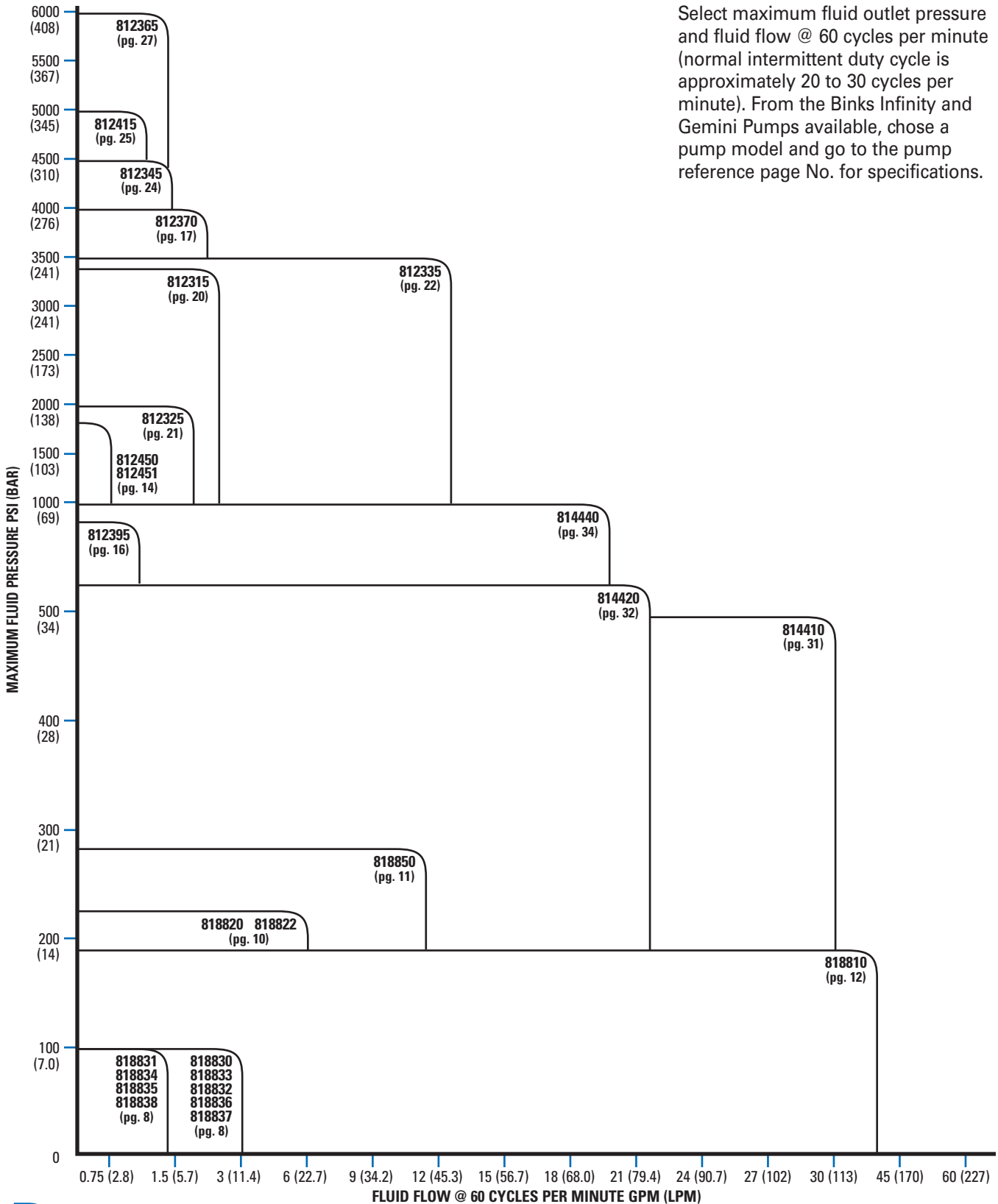
- UHMW polyethylene packings
- Electropolished or passivated wetted parts
- Easy-access plunger and packings
- Easy-access lower ball valve check
- Low ice air motor
- One-gun to multiple-gun application pumps

Infinity™ Four-Ball w/UltraCoat™

- High volume fluid transfer/recirculation operations
- Waterborne paint circulation, solvent supply, DI water supply, and surface coating
- Stainless steel construction for waterborne compatibility
- Hardened stainless steel seats
- UltraCoat™ on piston and rods that outperforms hard chrome
- Passivated or electropolished stainless steel parts
- UHMW polyethylene packings
- 6" air motor stroke
- Multi-gun or large circulation application pumps

Binks Gemini & Infinity Pumps

Selection Guide



Binks Gemini & Infinity Pumps

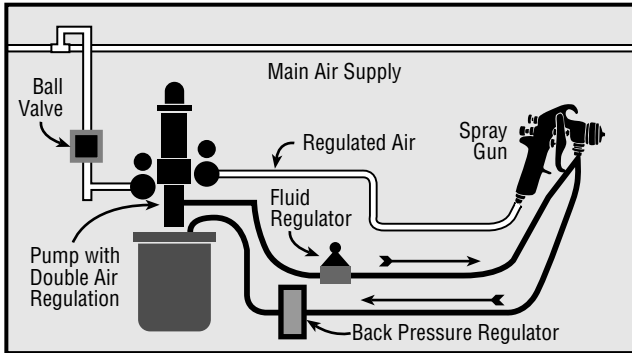
Selection Guide

PUMP TECHNOLOGY	BINKS BRAND INFINITY/GEMINI	UNIQUE BENEFIT	TYPICAL FLUIDS	TYPICAL APPLICATIONS
Gemini Diaphragm Pump (Low Pulse) (Max. Flow) 0 to 100 PSI pgs. 8-10	818830 1/2" 1:1 SS 818831 1/2" 1:1 Grnd Act 818832 1/2" 1:1 Poly 818833 1/2" 1:1 Poly 818834 1/2" 1:1 SS 818835 1/2" 1:1 Poly 818836 1/2" 1:1 Act 818837 1/2" 1:1 Alum 818838 1/2" 1:1 Alum	Economical Pump High flow capacity	Paints, inks, solvents, dyes, stains and coatings Low viscosity fluids	Paint and coating circulating systems Circulation of low viscosity inks, stains and dyes Low viscosity adhesive supply Drum transfer Low pressure air spray or HVLP supply pump
Gemini High Volume Diaphragm Pump 0 to 300 PSI pgs. 11-12	818810 1-1/2" 1:1 SS 818820 1" 1:1 Alum 818840 1" 1:1 Poly 818822 1" 1:1 SS 818850 1" 3:1 SS	High pressure for a diaphragm pump Low sheer output Quick color change	Paints, stains, resins, latexes, wood preservative stains, primers, adhesives, varnishes, dispersions, solvents, stains, shear-sensitive fluids, boothside, special color paints	Wood coating circulating systems Paint circulating systems Drum fluid transfer Unloading fluids
Infinity Two-Ball Piston Pump 0 to 6000 PSI pgs. 20-27	812315 11:1 812325 22:1 812335 23:1 812345 30:1 812415 40:1 812365 60:1	Wide performance range capability Low to high pressure capability Uniform and easily controlled delivery	Solventborne fluids, waterborne fluids, high solid coatings, lacquers, enamels, urethanes	
Infinity Four-Ball Piston Pump 0 to 700 PSI pgs. 30-34	814400 2:1 814410 3:1 814420 4:1 814430 5:1 814440 7:1	Low cycle rate operation Low shear operation	Varnishes, stains, enamels and lacquers, cleaning fluids, adhesives, sealants, waterborne and solventbornes for paint and circulating systems	Automotive paint circulation High volume paint and coating transfer Fluid transfer and supply Chemical cleaning supply pump
Infinity Hydraulic Four-Ball Piston Pump 0 to 300 PSI pgs. 36-37	814450 0.2:1 814460 0.3:1	Low operating costs Quiet operation	Acid catalyzed varnishes, stains, enamels and lacquers, solventborne paints (CS), waterborne paints (SS), cleansing solutions	Paint circulation Supply and transfer
Infinity "N" Series Piston Pump 0 to 2800 PSI pgs. 16-17	812370 28:1 812380 4:1 812390 4:1 812395 4:1	Air powered for high reliability Available in SS or CS Stub or drum pump	Epoxies, enamels and stains, polyurethanes, solventborne and waterborne coatings	Furniture and wood, aerospace, truck and bus, farm, fleet, general metals
Infinity "Pogo" Plus Piston Pump 0 to 200 PSI pg. 19	812490 2:1 SS Drum 812491 2:1 SS Drum 812470 2:1 CS Drum 812471 2:1 CS Drum 812500 2:1 SS Stub 812501 2:1 SS Stub 812480 2:1 CS Stub 812481 2:1 CS Stub	Air powered for reliability Delivery up to 2.15 GPM Available in SS or CS Stub or drum	Light viscosity coatings and fluids, thinners and solvents, spray adhesives, general chemicals	Fluid transfer from drum to tank Low viscosity spray adhesive supply Supply pump for spray applications of coatings and wood finishing materials
Raptor Piston Pump 0 to 1800 PSI pgs. 14-15	812450 18:1 812451 18:1	Ice free air motor does not stall Patented easy access fluid section	Epoxies, enamels and lacquers, polyurethanes, solventborne and waterborne coatings	Furniture and wood, cabinets General metal fabrication Corrosion control, aerospace
Vector Outfits 0 to 2800 PSI pg. 18	812180 28:1 812190 28:1	Lightweight pump for portable applications Air assist or airless	Lacquers, enamels, stains, sealers, etc. Light to heavy viscosity materials	Wood shops, painting contractors

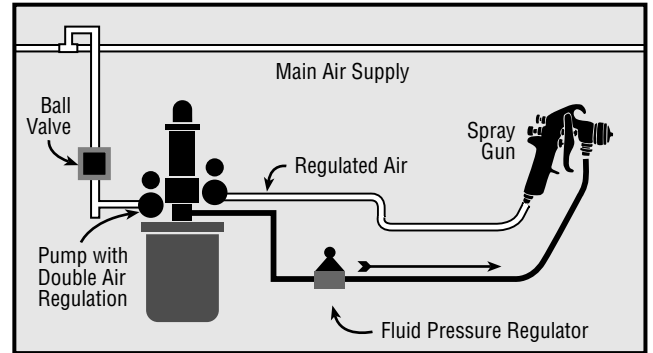
SS – Stainless Steel, CS – Carbon Steel

Typical Pump Installation Techniques

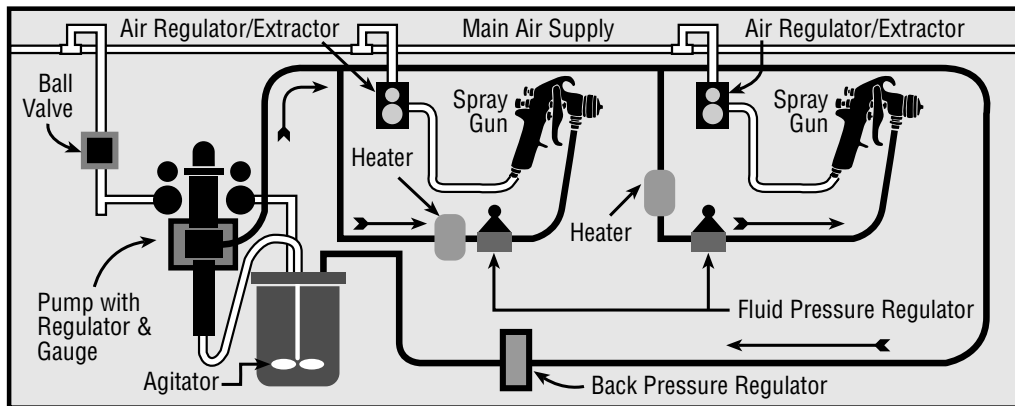
Circulating Supply to Spray Gun



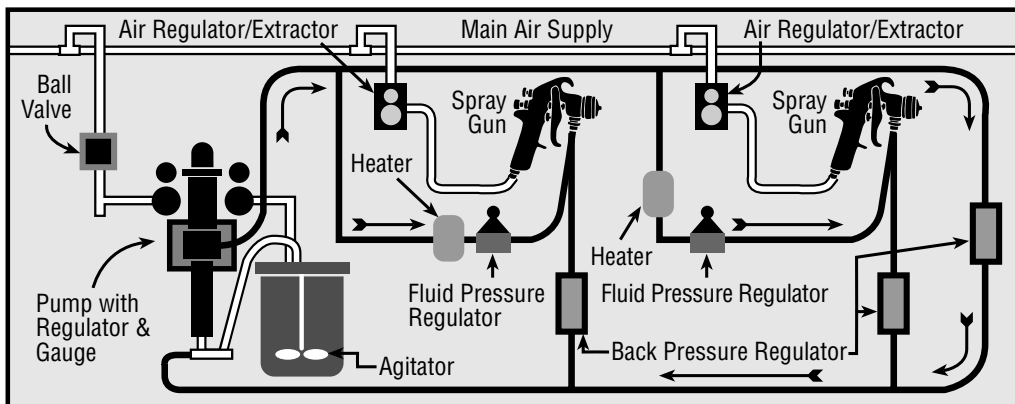
Dead End Supply to Spray Gun



Circulating Loop with Dead End Supply to Spray Guns

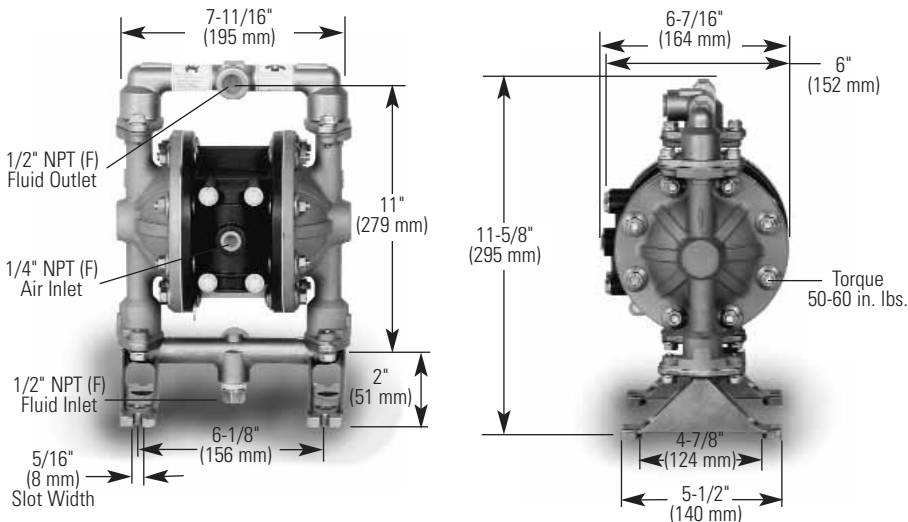


Circulating Loop with Circulating Supply to the Spray Guns



Gemini 1/2" Diaphragm Pumps

Max. Flow – Pump #818830 (SS), #818832 (Polypro), #818833 (Polypro), #818836 (Acetal), #818837 (Alum),
 Low Pulse – #818831 (Acetal), #818834 (SS), #818835 (Polypro), #818838 (Alum)



NOTE: Stainless Steel Pump Shown. Groundable Acetal and Polypropylene have 4 inlets and 4 outlets

Gemini Bare Pumps 1/2", Low Pulse

MODEL	SIZE	RATIO	GPM PER CYCLE	GPM @ 60 CPM	GPM @ MAX. CPM	BODY	WETTED MATERIAL CONSTRUCTION		
							SEATS	BALLS	DIAPHRAGMS
818831	1/2"	1:1	0.02	1.2	7	Acetal	SS	SS	PTFE
818834	1/2"	1:1	0.02	1.2	7	SS	SS	SS	PTFE
818835	1/2"	1:1	0.02	1.2	7	Polypro	SS	Santo	Santoprene
818838	1/2"	1:1	0.02	1.2	7	Alum	SS	SS	PTFE

Gemini Bare Pumps 1/2", Max. Flow

MODEL	SIZE	RATIO	GPM PER CYCLE	GPM @ 60 CPM	GPM @ MAX. CPM	BODY	WETTED MATERIAL CONSTRUCTION		
							SEATS	BALLS	DIAPHRAGMS
818830	1/2"	1:1	0.04	2.4	13	SS	SS	SS	PTFE
818832	1/2"	1:1	0.04	2.4	13	Polypro	SS	Santo	Santoprene
818833	1/2"	1:1	0.04	2.4	13	Polypro	SS	SS	PTFE
818836	1/2"	1:1	0.04	2.4	13	Acetal	SS	SS	PTFE
818837	1/2"	1:1	0.04	2.4	13	Alum	SS	SS	PTFE

Available Accessories

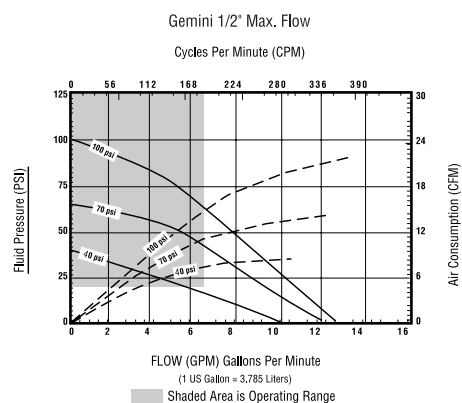
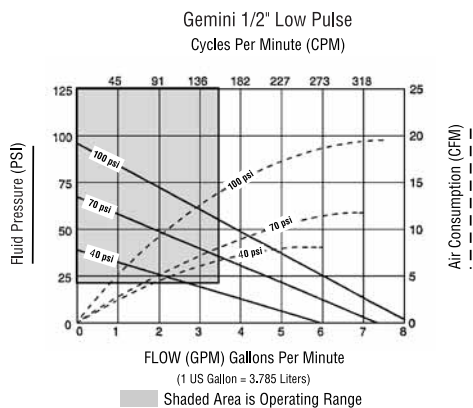
- Air Filter/Regulator..... 849303
- Wall Mount Bracket 873116
- Siphon 5 ft. hose w/fluid filter (5 gal) 874504

Performance – 100 PSI

- Air Inlet Pressure 20 - 100 PSI (1 - 6.9 bar)
- Fluid Pressure 20 - 100 PSI (1 - 6.9 bar)
- Max. Flow Rate (Flooded Inlet)
 - Standard Stroke
 - SS and Polypropylene 13-GPM (49.2 lpm)
 - Short Stroke
 - Groundable Acetal 7-GPM (26.5 lpm)
- Max. Particle Size 3/32" Dia (2.4 lpm)
- Max. Temperature Limits
 - Stainless Steel 200° F (93° C)
 - Groundable Acetal..... 180° F (82° C)
 - Polypropylene..... 150° F (66° C)
- Flows @ 60 Cycles/Min.
 - Standard Stroke 2.4 Gal (9 liters)
 - Short Stroke 1.32 Gal (5 liters)
- Cycles Per Gallon (Liter)
 - Standard Stroke..... 25(6.6)
 - Short Stroke 45.5(512)
- Displacement Per Cycle - Standard Stroke
 - 9.24 cu. in. (151.4 cm³)
 - 5.12 oz. (151.4 ml)
 - .040 gal..... (.15 liter)
- Short Stroke
 - 5.08 cu. in. (83.3 cm³)
 - 2.8 oz. (83.3 ml)
 - .022 gal..... (.08 liter)
- Noise Level with muffler
 - @ 70 PSI @ 60 Cycles/Min..... 71.1 db(A)

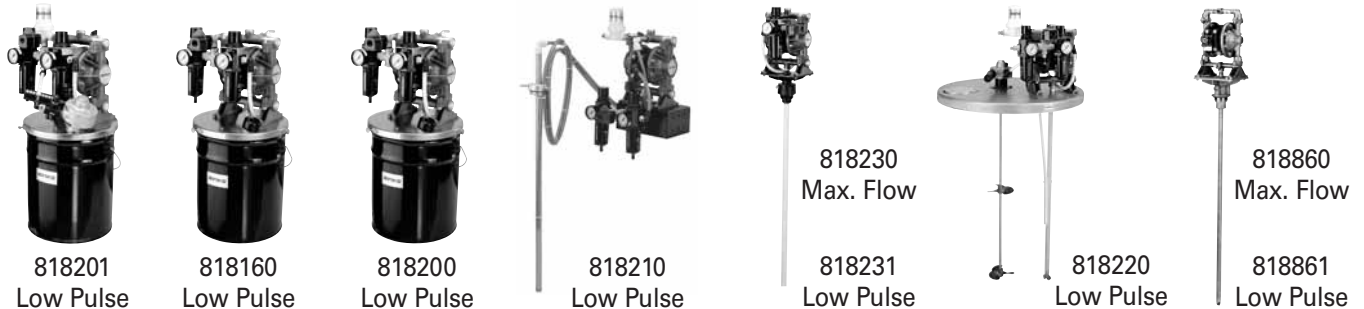
Part Numbers

- Air Motor Repair Kit..... 862004
- Diaphragm Repair Kit
 - Stainless Steel..... 862040
 - Groundable Acetal 862040
 - Polypropylene 862040
- Ball and Seat Repair Kit
 - Stainless Steel (Ball/Seat) 862045
 - PTFE (Ball) SS (Seat) 862046



Gemini 1/2" Diaphragm Pump Packages

For Wood and Office Furniture, Commercial Equipment, Metal Fabrication, Metal Maintenance and Cabinet Shops



Gemini Pump Packages 1/2", Low Pulse – 100 PSI

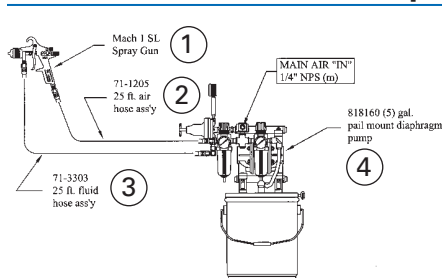
PACKAGE NUMBER	BARE PUMP NUMBER	WETTED PARTS	RATIO & SIZE	GPM @ 60 CPM	MOUNTING	AIR ■ REGLTRS.	SUCTION HOSE W/BUNG ADAPT.	AGITATOR	PRIME VALVE ▼	PULSE/FILTER ◆	FLUID REG. ▶
818160	818831	acetal, PTFE	1:1, 1/2 NPT	1.2	pail	2	pail	0	0	0	1
818171 ●	818834	SS, PTFE	1:1, 1/2 NPT	1.2	55 bung	1	NR ▲	0	0	0	1
818200	818831	acetal, PTFE	1:1, 1/2 NPT	1.2	pail	2	pail	0	1	1	0
818201	818831	acetal, PTFE	1:1, 1/2 NPT	1.2	pail	2	pail	843000	1	1	0
818210	818831	acetal, PTFE	1:1, 1/2 NPT	1.2	wall	2	55 gallon	0	1	1	0
818220	818831	acetal, PTFE	1:1, 1/2 NPT	1.2	55 drum cover	2	55 gallon	843001	1	1	0
818231	818831	acetal, PTFE	1:1, 1/2 NPT	1.2	55 bung	1	NR ▲	0	0	0	0
818861	818834	SS, PTFE	1:1, 1/2 NPT	1.2	55 bung	0	NR ▲	0	0	0	1

Gemini Pump Packages 1/2", Max. Flow – 100 PSI

PACKAGE NUMBER	BARE PUMP NUMBER	WETTED PARTS	RATIO AND SIZE	GPM @ 60 CPM	MOUNTING	AIR ■ REGLTRS.	SUCTION HOSE W/BUNG ADAPT.	AGITATOR	PRIME VALVE ▼	PULSE/FILTER ◆	FLUID REG. ▶
818150 ●	818830	SS, PTFE	1:1, 1/2 NPT	2.4	wall	2	0	0	0	0	1
818211	818836	acetal, PTFE	1:1, 1/2 NPT	2.4	wall	2	55 gallon	0	0	0	1
818170 ●	818830	SS, PTFE	1:1, 1/2 NPT	2.4	55 bung	1	NR ▲	0	0	0	1
818230	818836	acetal, PTFE	1:1, 1/2 NPT	2.4	55 bung	1	NR ▲	0	0	0	0
818860	818830	SS, PTFE	1:1, 1/2 NPT	2.4	55 bung	0	NR ▲	0	0	0	1

▲ Not Recommended ● Not Shown ■ 849303 ▼ 873414 ◆ 841010 ▶ 84-320

Gemini 1/2" Low Pulse Spray Outfits



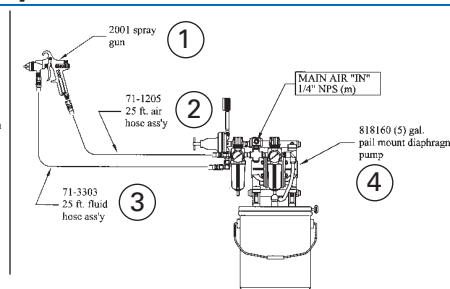
MODEL #98-3022

SYSTEM COMPONENT LIST

Item No.	Part No.	Description	Qty.	Part Sheet
1	7000-1204-4	Mach 1 SL Gun	1	2665
2	71-1205	Air Hose Ass'y	1	—
3	71-3303	Fluid Hose Ass'y	1	—
4	818160	Gemini Pump Pkg.	1	81816X

GENERAL DESCRIPTION

This (5) gallon pail system is complete with Mach 1 SL Gun w/94 x 94P set-up, 1:1 Gemini 1/2" diaphragm pump w/air control and 25 ft. fluid and air hose assemblies.



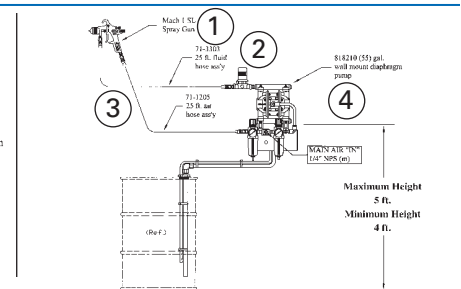
MODEL #98-3023

SYSTEM COMPONENTS LIST

Item No.	Part No.	Description	Qty.	Part Sheet
1	6211-2800-7	2001 Gun	1	2316
2	71-1205	Air Hose Ass'y	1	—
3	71-3303	Fluid Hose Ass'y	1	—
4	818160	Gemini Pump Pkg.	1	81816X

GENERAL DESCRIPTION

This (5) gallon pail system is complete with 2001 gun w/63BSS x 63PB 1:1 Gemini 1/2" diaphragm pump w/air control and 25 ft. fluid and air hose assemblies.



MODEL #98-3024

SYSTEM COMPONENT LIST

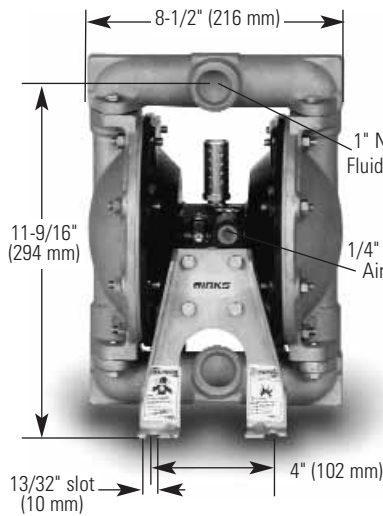
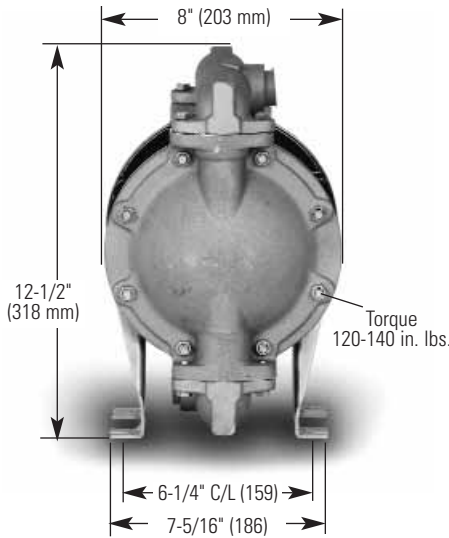
Item No.	Part No.	Description	Qty.	Part Sheet
1	7000-1204-4	Mach 1 SL Gun	1	2665
2	71-3303	Fluid Hose Ass'y	1	—
3	71-1205	Air hose Ass'y	1	—
4	818210	Gemini Pump Pkg.	1	81821X

GENERAL DESCRIPTION

This 55 gallon, wall mounted system comes complete with Mach 1 SL Gun w/94 x 94P set-up, 1:1 Gemini 1/2" Low Pulse diaphragm pump, air control, 25' air and fluid hose and 55 gallon siphon kit.

Gemini 1" Diaphragm 1:1 Pumps

Pump #818820 (Alum), #818822 (SS), #818840 (Polypro)



Performance – 100 PSI

Air Inlet Pressure 20 - 120 PSI (1.4 - 8.3 bar)
 Fluid Pressure 20 - 120 PSI (1.4 - 8.3 bar)
 Max. Flow Rate
 (Flooded Inlet) 35-GPM (133 lpm)
 Max. Particle Size 1/8" Dia (3.2 mm)
 Max. Temperature Limits 200° F (93° C)
 Flow @ 60 Cycles/Min. 9.6 GPM (36 liters)
 Displacement Per Cycle
 36.96 cu. in. (605.66 cm³)
 20.5 oz. (605.66 ml)
 .16 gal. (.60 liter)
 Cycles Per Gallon (Liter) 6.25 (1.66)
 Noise Level with muffler
 @ 70 PSI @ 60 Cycles/Min. 64.5 db(A)

1" Wall Mount Package

Package Includes

Wall Mount Bracket, Fluid Regulator, 2 Air Filter/Regulator, and vented shut off with lockout feature. (Model nos. 818120, 818121, see chart below)



Gemini Bare Pumps 1", 1:1 – 100 PSI

MODEL	SIZE	RATIO	GPM PER CYCLE	GPM @ 60 CPM	GPM @ MAX. CPM	WETTED MATERIAL CONSTRUCTION			
						BODY	SEATS	BALLS	DIAPHRAGMS
818820	1"	1:1	0.16	9.6	35	Alum	SS	SS	PTFE
818840	1"	1:1	0.17	10.2	47	Polypro	SS	SS	PTFE
818822	1"	1:1	0.16	9.6	35	SS	SS	SS	PTFE

Repair Kit Part Numbers

Air Motor Repair Kit 862003
 Diaphragm Repair Kit 862020
 Ball and Seat Repair Kit
 Stainless Steel (Ball/Seat) 862025
 PTFE (Ball) SS (Seat) 862026

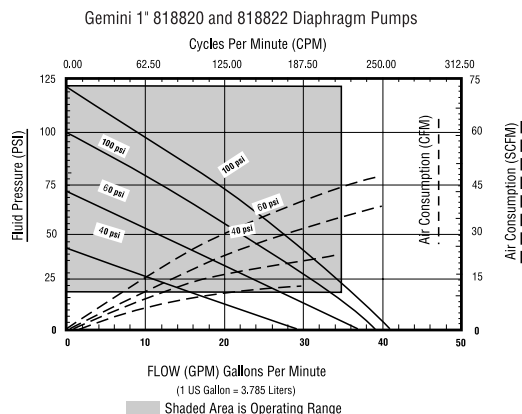
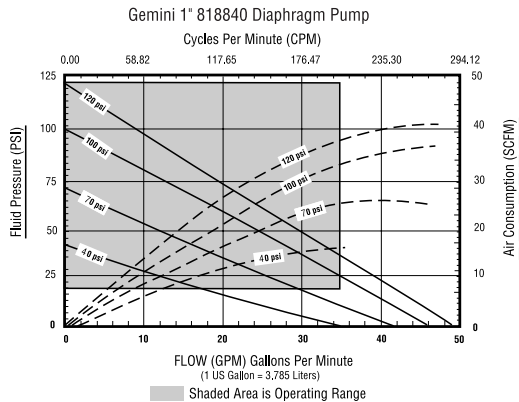
Available Accessories

Air Filter/Regulator 849303
 Wall Mount Bracket 873115
 Siphon Kit 5' Hose with Strainer
 5 Gallon 874500
 55 Gallon 874501
 Siphon Kits Include: 5' hose, SS fittings, tube and strainer

Gemini Pump Packages 1", 1:1 – 100 PSI

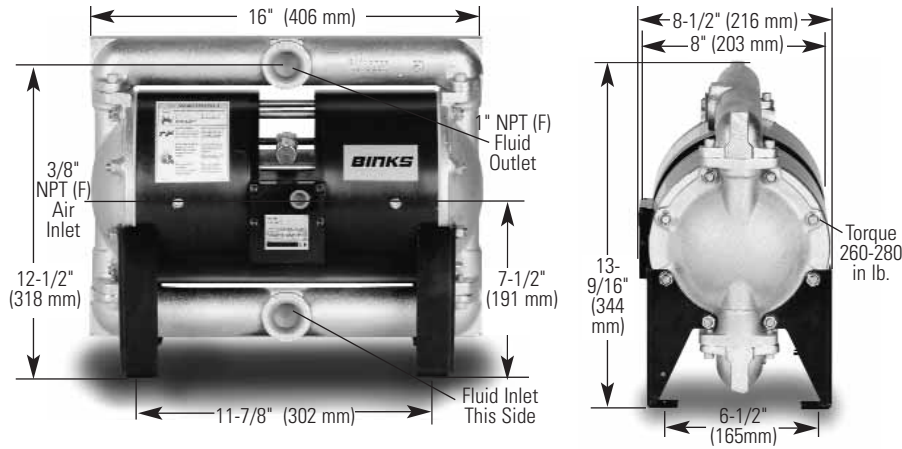
PACKAGE NUMBER	BARE PUMP NUMBER	WETTED PARTS	RATIO AND SIZE	GPM @ 60 CPM	MOUNTING	AIR ■ REGLTRS.	SUCTION HOSE W/BUNG ADAPT.	AGITATOR	PRIME VALVE	PULSE/FILTER	FLUID REG. ▶
818120	818820	Alum, PTFE	1:1, 1 NPT	9.6	wall	2	0	0	0	0	1
818121	818822	SS, PTFE	1:1, 1 NPT	9.6	wall	2	0	0	0	0	1

■ 849303 ▶ 84-320



Gemini 1" Hi-Volume 3:1 Pump

Pump #818850 (SS) – Ratio 2.65:1 Diaphragm Pump



Performance – 300 PSI

Air Inlet Pressure 20 - 100 PSI (1.4 - 6.8 bar)
 Fluid Pressure 50 - 265 PSI (4 - 20.4 bar)
 Inlet/Outlet 1" NPT
 Max. Flow Rate
 (Flooded Inlet) 15-GPM
 Max. Particle Size 1/8" Dia (3.2 mm)
 Max. Temperature Limits 200° F (93°)
 Flow @ 60 Cycles/Min 5.4 Gal.(20.4 liters)
 Displacement Per Cycle
 20.79 cu. in. (340.7 cm³)
 11.52 oz. (340.7 ml)
 .09 gal. (.34 liter)
 Cycles Per Gallon (Liter) 11.1 (2.9)
 Noise Level with muffler
 @ 70 PSI @ 60 Cycles/Min 84.5 db(A)

Wall Mount Bulk Transfer



These bulk transfer/high volume finishing pumps can efficiently transfer finishing coatings to a day tank. The 3:1 pump can supply large circulating systems. Both pumps are designed to handle heavy abrasive coatings. 1" inlet-outlet. *Lubrication required for 24 hours a day and 7 days a week, Operation only.*

MODEL #818100
 3:1 DIAPHRAGM INCLUDES:
 Pump 818800
 Wall Bracket 873134
 Air Control 849303
 Vented Shut Off 849311

Specifications

Air Motor Unbalanced
 Wetted Pump Material Stainless Steel
 Diaphragm Material PTFE
 Seat Stainless Steel
 Balls (standard) Stainless Steel
 Weight: 95 lbs (43 kgs)

Repair Kit Part Numbers

Air Motor Repair Kit 862007
 Diaphragm Repair Kit 862006
 Ball and Seat Repair Kit
 Stainless Steel (Ball/Seat) 862025

Gemini Bare Pump 1", 3:1 – 300 PSI

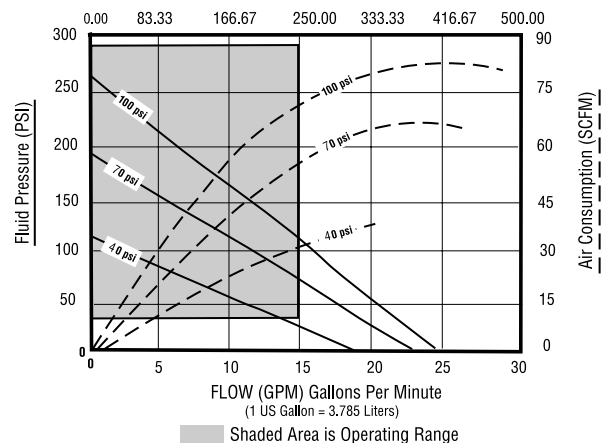
MODEL	SIZE	RATIO	GPM PER CYCLE	GPM @ 60 CPM	GPM @ MAX. CPM	WETTED MATERIAL CONSTRUCTION			
						BODY	SEATS	BALLS	DIAPHRAGMS
818850	1"	3:1	0.09	5.4	24	SS	SS	SS	PTFE

Gemini Pump Packages 1", 3:1 – 300 PSI

PACKAGE NUMBER	BARE PUMP NUMBER	WETTED PARTS	RATIO AND SIZE	GPM @ 60 CPM	MOUNTING	AIR REGLTRS.
818100	818150	SS, PTFE	3:1, 1 NPT	5.4	wall	1

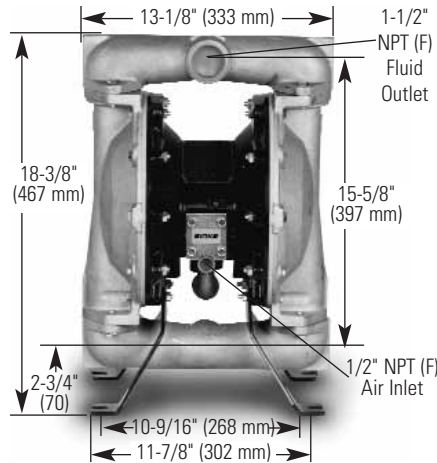
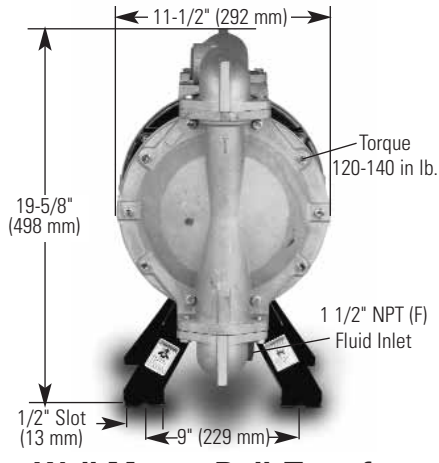
■ 849303

Gemini 3:1 High Volume SS Diaphragm Pump
 Cycles Per Minute (CPM)



Gemini 1 1/2" Hi-Volume 1:1 Pump

Pump #818810 (SS) – 1 1/2" Diaphragm



Performance – 100 PSI

Air Inlet Pressure 20 - 120 PSI (1 - 8.3 bar)
 Fluid Pressure 20 - 120 PSI (1 - 8.3 bar)
 Max. Flow Rate
 (Flooded Inlet)..... 90-GPM (340.2 lpm)
 Max. Particle Size 1/4" Dia (6.4 mm)
 Max. Temperature Limits..... 150° F (66° C)
 Flows @ 60 Cycles/Min..... 43.8 Gal.(165.6 liters)
 Displacement Per Cycle
 147.8 cu. in..... (2420 cm³)
 82 oz. (2420 ml)
 .64 gal. (2.42 liters)
 Cycles Per Gallon (Liter) 1.3 (.36)
 Noise Level with muffler
 @ 70 PSI @ 60 Cycles/Min. 77.7 db(A)

Wall Mount Bulk Transfer



These bulk transfer/high volume finishing pumps can efficiently transfer finishing coatings to a day tank. The 1:1 pump can supply large circulating systems. The pump is designed to handle heavy abrasive coatings.

MODEL #818110

1 1/2" PUMP INCLUDES:

Pump	818810
Wall Bracket	873135
Air Control	849303
Vented Shut Off	849311

Specifications

Air Motor Unbalanced
 Wetted Pump Material Stainless Steel
 Diaphragm Material PTFE
 Seat Stainless Steel
 Balls Stainless Steel
 Weight 84 lbs (38.1 kgs)

Repair Kit Part Numbers

Air Motor Repair Kit	862003
Diaphragm Repair Kit	862010
Ball and Seat Repair Kit	
SS (Ball) SS (Seat)	862016
PTFE (Ball) SS (Seat)	862015

Gemini Bare Pump 1 1/2", 1:1 – 100 PSI

MODEL	SIZE	RATIO	GPM PER CYCLE	GPM @ 60 CPM	GPM @ MAX. CPM	WETTED MATERIAL CONSTRUCTION			
						BODY	SEATS	BALLS	DIAPHRAGMS
818810	1 1/2"	1:1	0.64	38	90	SS	SS	SS	PTFE
818812	1 1/2"	1:1	0.64	38	90	Alum	SS	PTFE	PTFE

Available Accessories

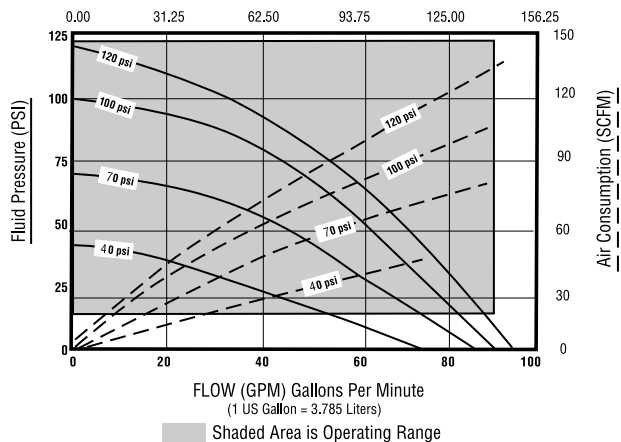
Air Filter/Regulator	849303
Wall Mount Bracket	873135

Gemini Pump Packages 1 1/2", 1:1 – 100 PSI

PACKAGE NUMBER	BARE PUMP NUMBER	WETTED PARTS	RATIO AND SIZE	GPM @ 60 CPM	MOUNTING	AIR REGLTRS.
818110	818810	SS, PTFE	1:1, 1 1/2 NPT	38	wall	1

849303

Gemini 1 1/2" High Volume SS Diaphragm Pump
Cycles Per Minute (CPM)



Binks Viscosity Conversion Chart

For Materials at 77° F Without Special Thixotropic Characteristics

	LIGHT CONSISTENCY Watery or light oil type materials with translucent materials with or very fine grind color										MEDIUM CONSISTENCY Light creamy or thin syrup type materials with medium to fine color or filler grind.								HEAVY CONSISTENCY Fluffy cream/slow pouring syrup type materials with medium coarse grind color or filler							
	.1	.2	.3	.4	.5	.6	.7	.8	.9	1	1.2	1.5	1.7	2.0	2.5	3.0	3.5	4.0	4.5	5	10	25	50	75	100	150
Poise																										
Centipoise (CPS)	10	20	30	40	50	80	70	80	90	100	120	150	170	200	250	300	350	400	450	500	1000	2500	5000	7500	10000	15000
Brookfield (CPS)	10	20	30	40	50	80	70	80	90	100	120	150	170	200	250	300	350	400	450	500	1000	2500	5000	7500	10000	15000
Fisher #1 (sec.)	20	30	30	50																						
Fisher #2 (sec.)		15	18	21	24	29	33	39	44	50	62															
Ford #3 (sec.)		12	19	25	29	33	36	41	45	50	58	70														
Ford #4 (sec.)	5	10	14	18	22	25	28	31	32	34	41	47	52	58	67	7										
Gardner-Holt	A-4	A-3	A-1	A		B		C		D	E	F	G	H	J	L	N	P	Q	S	W	Z-1	Z-3	Z-4	Z-5	Z-6
Krebs Unit (sec.)					30	33	35	37	38	40	43	47	49	52	57	60	62	64	66	68	85	114	140			
Parlin #7 (sec.)	27	32	43	50	57	64																				
Parlin #10 (sec.)	11	13	15	16	17	18	20	22	23	25	30	35	40	45												
Parlin #15 (sec.)														10		15		20		25	47	135	232	348	465	697
Parlin #20 (sec.)																				8	17	55	83	125	167	250
Parlin #30 (sec.)																							19	29	38	58
Saybolt (SSU) (sec.)	60	100	160	210	260	320	370	430	480	530	580	740	845	1000	1240	1330	1475	1950	2215	2480	4600	11600	23500	35000	46500	69500
Stormer (150 G) (sec.)		10	12	14	16	18	20	22	25	27	32	38	44	49						114	223	450	1090	1635	2180	
Zahn #1 (sec.)	30	37	44	52	60	68																				
Zahn #2 (sec.)	16	18	20	22	24	27	30	34	37	41	49	62	70	82												
Zahn #3 (sec.)								10	12	14	17	19	23	29	34	40	46	51	57							
Zahn #4 (sec.)									10	11	13	15	17	21	24	27	30	34	37							
Zahn #5 (sec.)														10	13	15	18	20	22	25	49					
Sears Craftsman (sec.)				19	20	21	23	24	26	27	31	36	39	44												
DuPont M-50 (sec.)	16	18	20	22	24	27	30	34	37	41	49	62	70	82												
Din Cup #4 (sec.)	10	12	14	15	16	18	21	23	25	27	31	35	40	46	56	68	78	90	102	112	218					

CAUTION: Your viscosity cup is a precision instrument requiring careful handling, cleaning and storage. Improper care will adversely affect its accuracy

SPRAY EQUIPMENT RECOMMENDATIONS

BINKS ZAHN CUPS 40-3568#2 40-3569#3	H.V.L.P. – L.V.L.P. CONVENTIONAL – SIPHON – GRAVITY PRESSURE EQUIPMENT AIRLESS – AIR ASSISTED AIRLESS – ELECTROSTATIC	PRESSURE EQUIPMENT CONVENTIONAL INTERNAL MIX – TOP OUTLET TANKS AIRLESS AIR ASSISTED AIRLESS EQUIPMENT	PRESSURE EQUIPMENT AIRLESS – AIR ASSISTED AIRLESS – CONVENTIONAL INTERNAL MIX BOTTOM OUTLET TANKS EXTRUSION EQUIPMENT GET SPECIAL HELP

Convenient Conversion Factors

Watts x 0.00134 = H.P.
Kw x 1.34 = H.P.
Feet of Head (Water)
2.31 = PSI

KPa x .145 = PSI Kg
Liters x .264 = Gallons
Meters x 3.28084 = Feet
mm x 0.03937 = Inches

Kgs x 2.2046223 = Pounds (avdp.)
°F = (1.8 x °C) + 32
1 GPM = 0.003785 m³/min.
Gallons of Water x 8.3453 = Pounds of Water

Application Specification Form

Completing this sheet will provide our Pump Experts with the information they need to quote the correct product to fulfill your specific requirement. Please fax to 630-237-5012

Company _____

Address _____

City _____ State/Province _____ Zip/Postal Code _____

Phone _____ Fax _____

E-mail _____ Contact _____

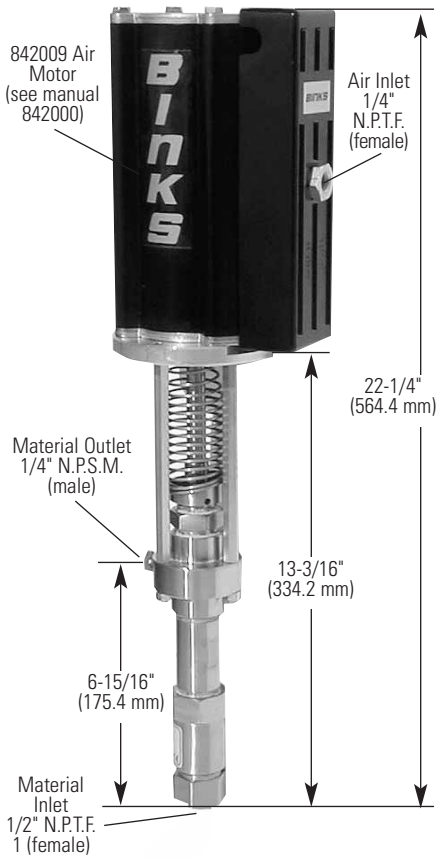
Fluid(s) Transferred _____

Flow Rate _____ Temp. _____ Viscosity _____

Specific Gravity _____

Raptor Pump (Infinity Series)

Pump #812450 – 18:1 – UHMWPE & Pump #812451 – 18:1 – PTFE



18:1 Ratio Pump

- Ice free air motor does not stall
- Hard chrome plated stainless steel piston rod and cylinder
- UHMWPE or PTFE packings
- Manufactured under ISO 9001 Quality system
- Patented "Easy Access" fluid section



Performance – 1800 PSI

Air Inlet Pressure Range . . . 0 - 150 PSI (0 - 10.3 bar)
 Fluid Pressure Range . . . 0 - 2700 PSI (1 - 186.2 bar)
 Max. Rec'd Cycles/Min. 120
 Displacement Per Cycle 2.35 cu. in.
 Volume/Cycle 1.30 oz. (38.5 ml)
 Cycles Per Gallon 98.3
 Flow @ 60 Cycles/Min. 0.61 GPM (2.3 l.p.m.)
 Noise Level @ 100 PSI 85 db(A)

Specifications

Model Series (refer to option chart) 81245X
 Type Air Operated, Two Ball
 Air Motor 842009
 Motor Repair Kit 861030
 Motor Diameter 3" (7.62 cm)
 Stroke (Double Acting) 3" (7.62 cm)
 Air Inlet 1/4 - 18 N.P.T.F. - 1 (female)
 Lower Pump End Series
 Models 812450 871110
 Models 812451 871111
 Lower Pump End Repair Kit
 Models 812450 861110
 Models 812451 861111
 Material Inlet 1/2" N.P.T.F. (female)
 Material Outlet 1/4" N.P.S.M. (male)
 Weight 12.63 lbs (5.7 kg)

Repair Kit Part Numbers

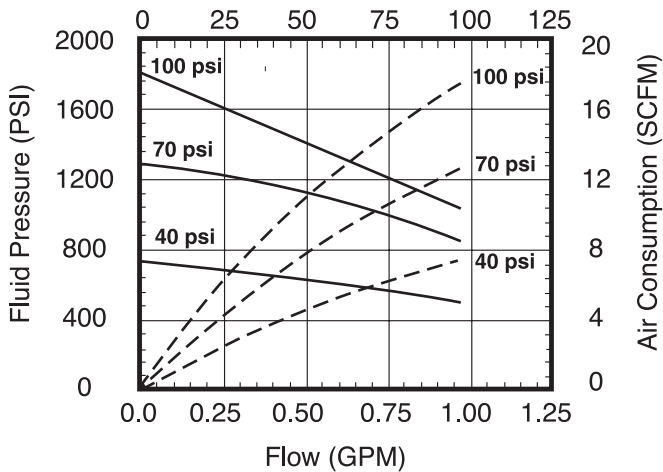
Air Motor Repair Kit 861030
 Lower Pump (871110) Repair Kit 861110
 Lower Pump (871111) Repair Kit 861111

Available Accessories

Wall Mount Bracket 873461
 Cart 873462

3" 18:1 Raptor

Cycle Rate (CPM)

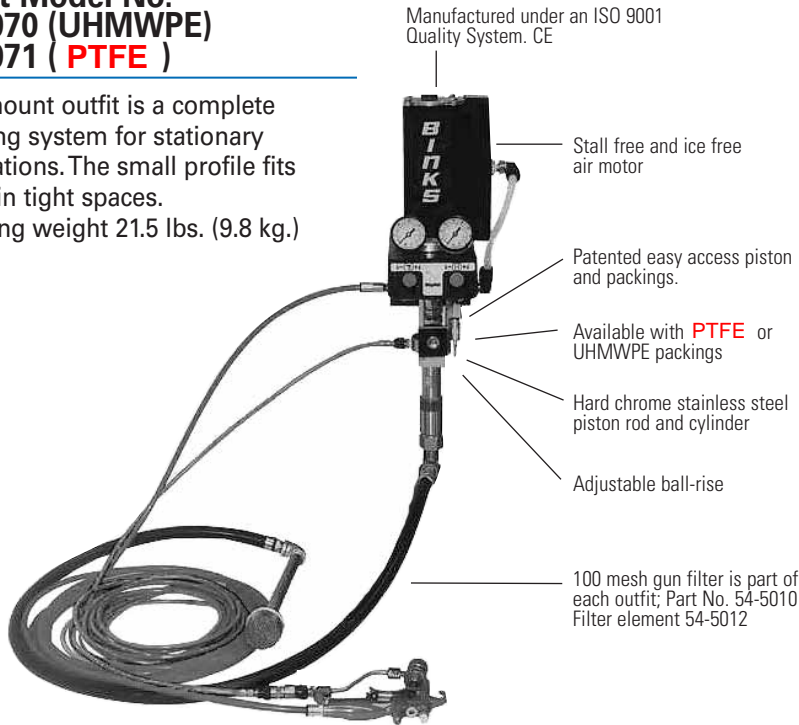


Raptor Systems (Wall & Cart Mounted)

Air Assisted Airless Outfits – 1800 PSI

Wall Mounted Outfit Model No. 98-3070 (UHMWPE) 98-3071 (PTFE)

Wall-mount outfit is a complete finishing system for stationary installations. The small profile fits easily in tight spaces. Shipping weight 21.5 lbs. (9.8 kg.)



Raptor™ Systems

Wall mounted outfit - with gun and hoses	
5 gallon (UHMWPE) packings	98-3070
5 gallon (PTFE) packings	98-3071
55 gallon (UHMW) packings	98-3074
55 gallon (PTFE) packings	98-3075
Cart mounted outfit - with gun and hoses	
(UHMWPE) packings	98-3072
(PTFE) packings	98-3073

Wall mounted package - no gun or hoses	
UHMWPE packings	812290
PTFE packings	812291
Cart mounted outfit - no gun or hoses	
UHMWPE packings	812280
PTFE packings	812281

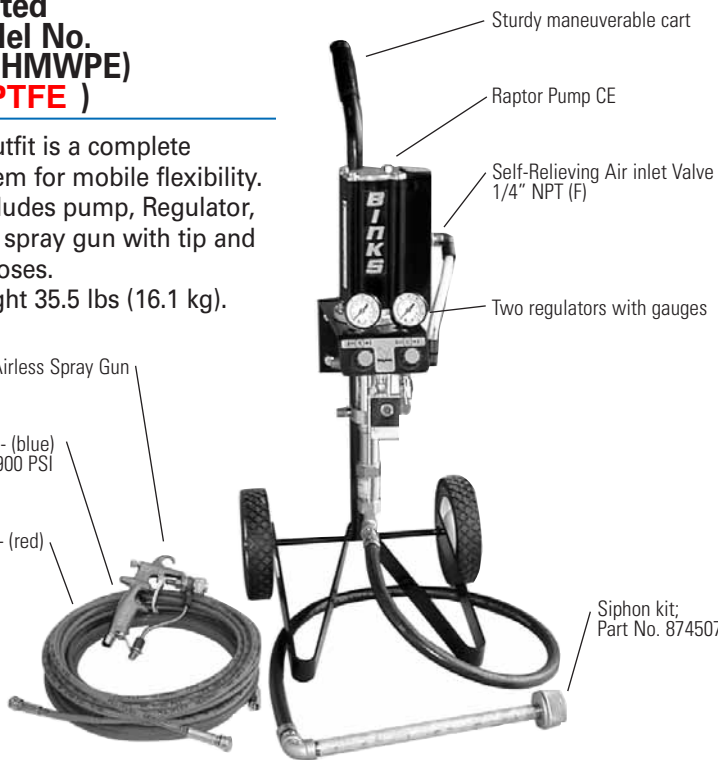
Cart Mounted Outfit Model No. 98-3072 (UHMWPE) 98-3073 (PTFE)

Cart-mount outfit is a complete finishing system for mobile flexibility. This outfit includes pump, Regulator, cart, gunfilter, spray gun with tip and all standard hoses. Shipping weight 35.5 lbs (16.1 kg).

AA1500 Air Assist Airless Spray Gun

Standard fluid hose - (blue)
Part No. 71-4995, 1900 PSI

Standard air tubing - (red)
Part No. 71-4991



Raptor - Pump only	
UHMWPE packings	812450
PTFE packings	812451
Shipping Weight	12.6 lbs (5.7 kg)

Available Accessories

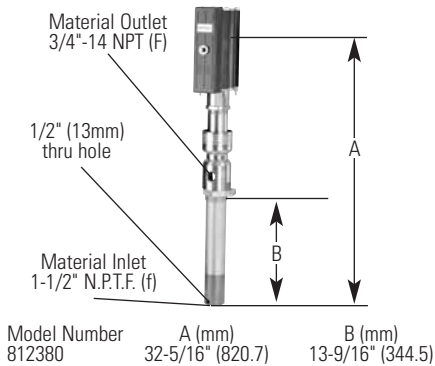
*Fluid Tip (Included in Outfits)	User Selects
*3/16" Fluid Hose	71-4995
1900 PSI (28 bar), 25', 1/4" N.P.S.	
*25' Pneumatic Tubing Assembly	71-4991
*Ground Wire Kit	873067
*100 mesh gun filter;	54-5010
Fluid Regulator 300-2000 PSI	84-420
(4.4 - 30 bar)	
Pump Outlet Fluid Filter	103-1241
Air Motor Repair Kit	861030
Lower Pump Repair Kit	
UHMWPE	861110
PTFE	861111
Wet-Sol Plus 1qt. Packing Lubricant	863009
System Assembly Sheet	77-5199
Package Part Sheet	81228X
Pump Part Sheet	81245X
Air Motor Part Sheet	842009
Fluid Section Part Sheet	87111X

*Included with outfits

Infinity "N" Series Pumps 4:1 Ratio

Pump #812380 Carbon Steel (Stub), #812390 Stainless Steel 300 Series (Stub),
#812395 Stainless Steel 300 Series (Drum)

Model 812380



Performance – 400 PSI

Air Inlet Pressure Range . . . 0 - 150 PSI (0 - 10.3 bar)
 Fluid Pressure Range 0 - 600 PSI (0 - 41.4 bar)
 Max. Rec'd Cycles/Min. 120
 Displacement Per Cycle 8.25 cu. in.
 Volume/Cycle 4.6 oz. (135 ml)
 Cycles Per Gallon 28
 Flow @ 60 Cycles/Min. 2.1 GPM (8.1 l.p.m.)
 Noise Level @ 100 PSI 85 db(A)

Materials of Construction 812380

Lower Pump Material Carbon Steel
 Plunger Material Carbon Steel
 Cylinder Material Carbon Steel
 Packing Set UHMW Polyethylene
 Max. 120°F Fluid Inlet Temp. (Standard)
 Max. 180°F Fluid Inlet Temp. (Optional)
 Packing
 Weight (Stub) 13 lbs. (5.9 kgs.)
 Weight (Drum) 46 lbs. (20.7 kgs.)

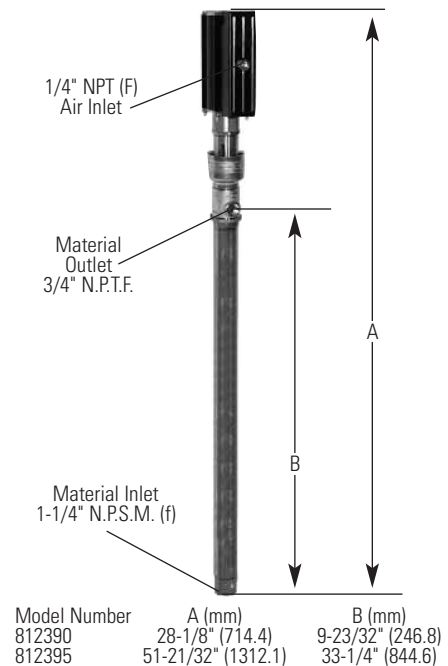
Specifications

Model Series (refer to option chart) 81238X
 Type Air Operated, Two Ball
 Air Motor 842005
 Motor Repair Kit 861030
 Motor Diameter 3" (7.62 cm)
 Stroke (Double Acting) 3" (7.62 cm)
 Air Inlet 1/4 - 18 N.P.T.F. - 1 (female)
 Lower Pump End Series
 Models 812380 871070
 Models 812385 861075
 Lower Pump End Repair Kit . . 861091 (Leat, Tef)
 Lower Pump End Series
 Models 812380 871080
 Models 812385 871090
 Lower Pump Repair Kit 861082 (Leat, Tef)
 Material Inlet
 All Models
 except 812385 . 1-1/2 - 11-1/2 N.P.T.F. - 1 (female)
 Model 812385 Immersed Inlet (no threads)
 Material Outlet 3/4 - 14 N.P.T.F. - 1 (female)

Available Accessories

Air Filter/Regulator 849303
 Wall Mount Bracket (Stub Pump) 873116
 Fluid Filter 841006
 Wet Sol Packing Lubricant 836009
 Wall/Drum Mount Bracket
 for Drum Pumps 873184

Model 812390 & 812395

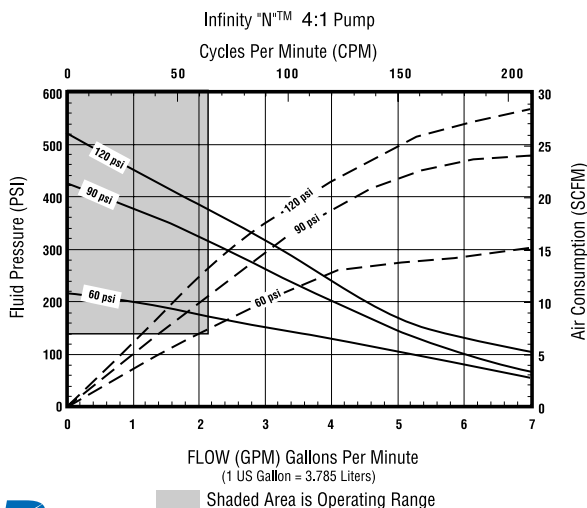


Performance – 400 PSI

Air Inlet Pressure Range . . . 0 - 150 PSI (0 - 10.3 bar)
 Fluid Pressure Range 0 - 600 PSI (0 - 41.4 bar)
 Max. Rec'd Cycles/Min. 120
 Displacement Per Cycle 11 cu. in.
 Volume/Cycle 6.1 oz. (180.2 ml)
 Cycles Per Gallon 21
 Flow @ 60 Cycles/Min. 2.86 GPM (10.814 l.p.m.)
 Noise Level @ 100 PSI 85 db(A)

Materials of Construction 812390, 812395

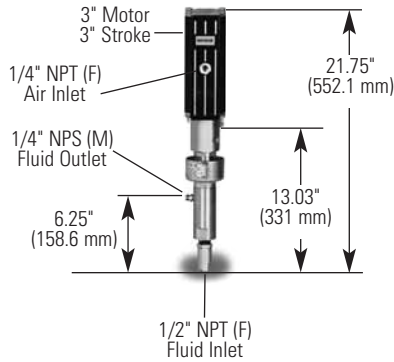
Lower Pump Material Stainless Steel
 Plunger Material Stainless Steel
 Cylinder Material Stainless Steel
 Packing Set UHMW Polyethylene
 Max. 120°F Fluid Inlet Temp. (Standard)
 Max. 180°F Fluid Inlet Temp. (Optional)
 Packing
 Weight (Stub) 13 lbs. (5.9 kgs.)
 Weight (Drum) 46 lbs. (20.7 kgs.)



Infinity "N" Series Pump

Pump #812370 – 28:1 Ratio – 2800 PSI

Model 812370



Specifications

Model Series (refer to option chart) 81237X
Type Air Operated, Two Ball
Ratio 28:1

Air Motor 842000
Motor Repair Kit 861030
Motor Diameter 3" (7.62 cm)
Stroke (Double Acting) 3" (7.62 cm)
Air Inlet 1/4 - 18 N.P.T.F. - 1 (female)
Lower Pump End Series 871050
Lower Pump Repair Kit 861040
861041 (Leat, Tef.)
Material Inlet 1/2 - 14 N.P.T.F. - 1 (female)
Material Outlet 1/4 - 18 N.P.S.M. - 1 (male)

Performance – 2800 PSI

Air Inlet Pressure Range . . 0 - 150 PSI (0 - 10.3 bar)
Fluid Pressure Range . . . 0 - 4200 PSI (0 - 289.7 bar)
Max. Rec'd Cycles/Min. 120
Displacement Per Cycle 1.47 cu. in.
Volume/Cycle 0.81 oz. (24.1 ml)
Cycles Per Gallon 157.5
Flow @ 60 Cycles/Min. 0.38 GPM (1.44 l.p.m.)
Noise Level @ 100 PSI 85 db(A)

Available Accessories

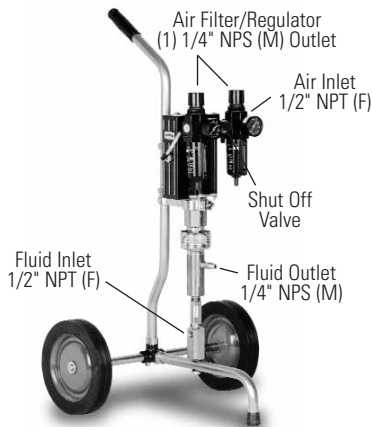
Air Filter/Regulator 849303
Wall Mount Bracket 873116
Fluid Filter 841006
Wet Sol Packing Lubricant 836009

Materials of Construction

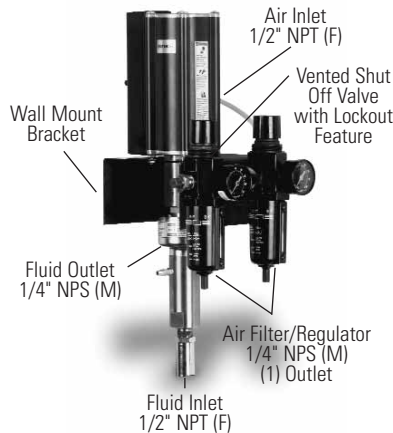
Lower Pump Material Stainless Steel
Plunger Material Stainless Steel
Cylinder Material Stainless Steel
Packing Set UHMW Polyethylene
Max. 120°F Fluid Inlet Temp. (Standard)
Max. 180°F Fluid Inlet Temp. (Optional)
Packing
Weight 13 lbs. (5.9 kgs.)

Infinity "N" Pump Packages

Infinity "N" Series pumps are low cost, stainless steel pumps for light industrial air assist and airless applications.



Part No. 812180
28:1 Cart Mount Package Includes: Pump, Cart, Air Filter/Regulator, Pneumatic Shut Off Valve



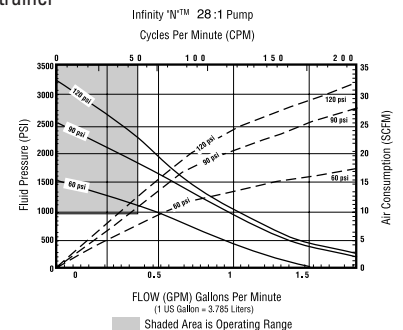
Part No. 812190
28:1 Wall Mount Package Includes: Pump, Wall Mount Bracket, Pneumatic Shut Off Valve

Air Assist Airless Pkg. Part Numbers

Cart Mount Pkg
28:1 Ratio with .38 GPM @ 60 Cycles . . . 812180
Wall Mount Pkg
28:1 Ratio with .38 GPM @ 60 Cycles . . . 812190
Wall Mount Bracket 873116
Air Filter/Regulator 849303

Accessories Not Included

Siphon Kit
5 gallon 874504
Siphon Kits include: 5' hose, SS fittings, tube and strainer



Vecter Spray Finishing Outfit 28:1

Air Assisted Airless Outfits – 2800 PSI

Infinity Pump on Cart & Infinity Pump with Wall Bracket

Outfit Features

- 5-year pump warranty on all non-wear parts
- Hydraulically-assisted fluid delivery combined with HVLP air supply
- Maximum fluid pressure – 2800 PSI
- Pump supplies .38 GPM @ 60 CPM to supply tip sizes .009" to .017"
- Drop forged aluminum gun body, stainless steel fluid passages, nozzle and needle

Outfit Benefits

- Stainless steel gun and pump
- Achieves fine finish and high efficiency
- Lightweight and easy to handle; gives operators superior control while fighting fatigue
- Works with lacquers, enamels, stains, sealers, and top coats
- Can spray light to heavy viscosity materials
- Can spray Air-assist or Airless
- For wood and metal finishing

Part Numbers

Infinity Pump on Cart	812180
Infinity Pump with Wall Bracket	812190
Air Motor Repair Kit	861030
Lower Pump Repair Kit	861040
Recommended Accessories	
Fluid Regulator 300-2000 PSI	84-420
Fluid Regulator 100-900 PSI	84-520
Pump Outlet Fluid Filter	103-1241
Fluid Tip .009	110-0908
(Included in Package) .011	110-1108
.013	110-1308
.015	110-1508
.018	110-1808
Air Cap	93 HA
1/8" ErgoFlex Fluid Hose	
5000 PSI, 25', 1/4" N.P.S.	71-6840
3/16" ErgoFlex Fluid Hose	
4000 PSI, 25', 1/4" N.P.S.	71-6842
Double Male Nipple, Stainless Steel	72-791
1/8" Pneumatic Tubing Assembly	
125 PSI, 25', 1/4" N.P.T.	71-6860
Ground Wire	873067



Part No. 98-3040

Cart-mounted outfit (optional hoses shown above) is a complete finishing package for mobile flexibility. This outfit included pump, air controls, cart, gun filter, spray gun with tip and all standard hoses. Shipping weight 45 lbs.

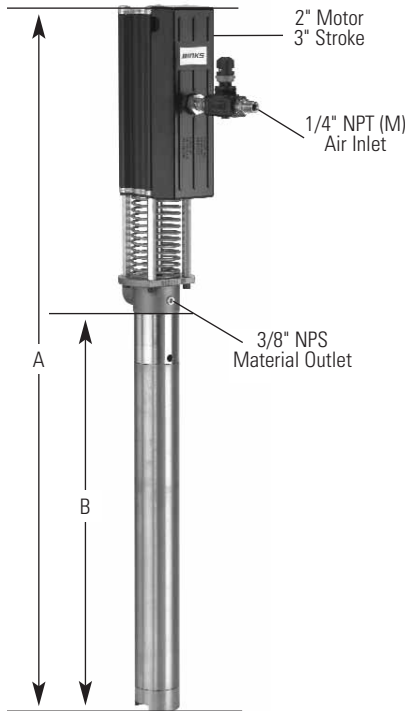


Part No. 98-3042

Wall-mounted outfit (optional hoses shown above) is a complete finishing package for stationary applications. The small profile fits easily in tight spaces.

Infinity "Pogo" Plus Pump

Pump #812490, #812491 (Drum (SS)), #812470, #812471 (Drum (CS)), #812500, #812501 (Stub (SS)), #812480, #812481 (Stub (CS)) – Ratio 2:1 – 200 PSI SS = Stainless Steel, CS = Carbon Steel



POGO Plus

Performance – 200 PSI

Air Inlet Pressure 0 - 150 PSI (0 - 10.3 bar)
 Fluid Pressure Range 0 - 300 PSI (0 - 24.2 bar)
 Max. Cycles/Min. 120
 Displacement Per Cycle 8.28 cu. in.
 Volume Per Cycle 4.59 oz. (135.6 ml)
 Cycles Per Gallon (Liter) 27.9
 Flow @ 60 Cycles/Min. 2.15 GPM (8.14 lpm)

Materials of Construction 81249X and 81245X (SS)

Noise Level @ 100 PSI 80 db(A)
 Lower Pump Material Stainless Steel
 Plunger Material 300 Series SS
 Cylinder Material Stainless Steel
 812490, 812500 Packing Set .. UHMW Polyethylene
 Max. 120° F Fluid Inlet Temp. (Standard)
 812491, 812501 Packing Set PTFE
 Weight Drum 22.5 lbs. (10.2 kgs.)
 Stub 17.2 lbs. (7.8 kgs.)

Part Numbers for 81249X and 81245X (SS)

Air Motor 842010
 Air Motor Repair Kit 861150
 Lower Pump Assembly (End Series)
 812490 871130
 812491 871131
 812500 871140
 812501 871141
 Lower Pump Repair Kit 86114X

Materials of Construction 81247X and 81248X (CS)

Lower Pump Material Carbon Steel
 Plunger Material ... Carbon Steel (Chrome Plated)
 Cylinder Material Carbon Steel
 812470, 812480 Packing Set .. UHMW Polyethylene
 Max. 120° F Fluid Inlet Temp. (Standard)
 812471, 812481 Packing Set PTFE
 Weight Drum 19.6 lbs. (8.9 kgs.)
 Stub 17.5 lbs. (7.9 kgs.)

Part Numbers for 81247X and 81248X (CS)

Air Motor 842010
 Air Motor Repair Kit 861150
 Lower Pump Assembly (End Series)
 812470 871150
 812471 871151
 812480 871160
 812481 871161
 Lower Pump Repair Kit 86113X

Available Accessories

Air Control 41-15931
 Muffler 873191
 Wall Mount or Open Drum Mount Bracket ... 873184

Pogo Plus Spray Finishing Outfit Model #98-3061

General Description

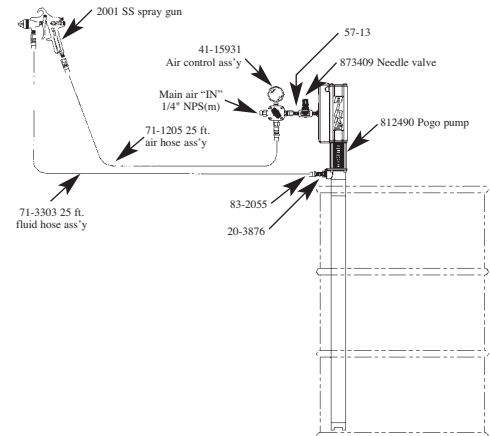
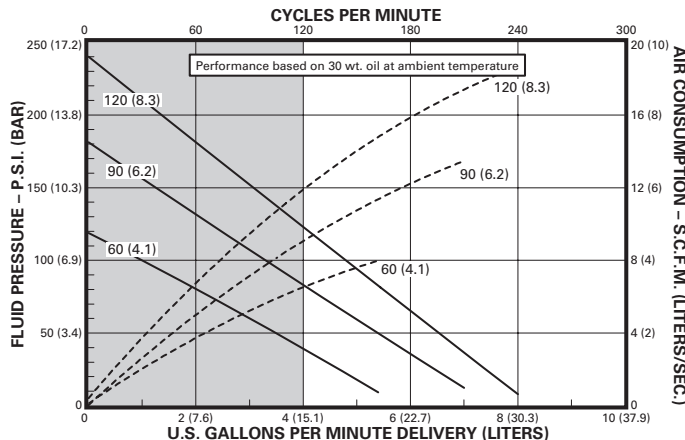
Excellent for solvent based adhesives. This (55) gallon bung system is complete with 2001 SS gun w/66SS x 66SD-3 set-up, 2:1 ratio supply pump with air control and 25 ft. fluid and air hose assemblies.

Dimensional Data

MODEL	A (mm)	B (mm)	Weight (kg)
81247X●	47-7/8" (1214.8)	33-11/16" (855.6)	19.6 (8.9)
81248X▲	34-3/16" (868.0)	20-1/16" (508.8)	17.5 (7.9)
81249X●	47-3/4" (1211.8)	33-11/16" (855.6)	22.5 (10.2)
81250X▲	33-7/8" (859.9)	19-7/8" (503.7)	17.2 (7.8)

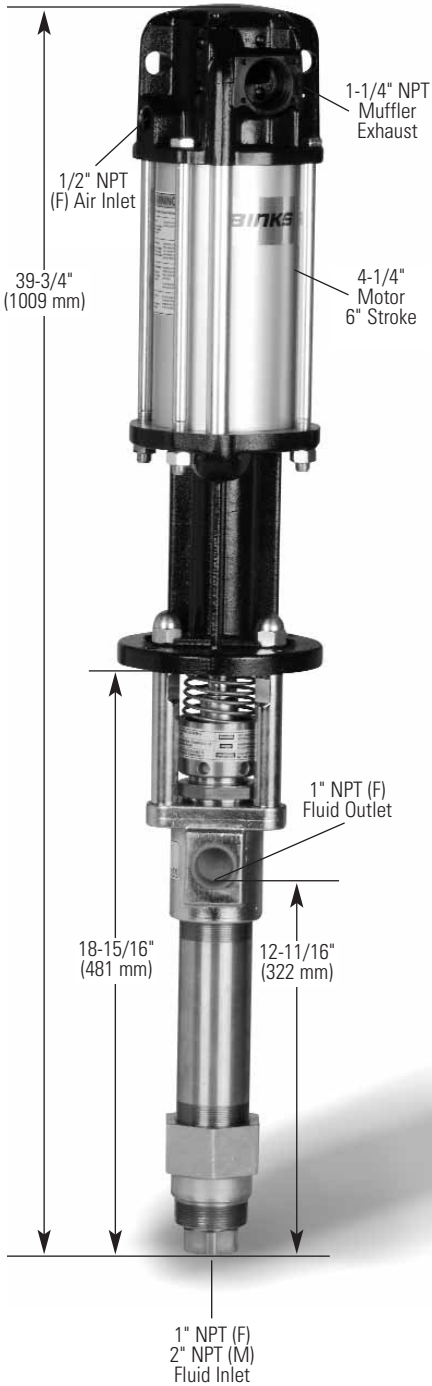
Capacity: ● 55 Gal. ▲ 5 Gal.

*All Pogo Pumps come complete and ready to use.



Infinity 11:1 Two-Ball Pump

Pump #812315 – Ratio 11:1 – 1100 PSI



Performance – 1100 PSI

Air Inlet Pressure	30 - 150 PSI (2 - 10.2 bar)
Fluid Pressure	330 - 1650 PSI (22.4 - 112.2 bar)
Max. Cycles/Min.	60
Displacement Per Cycle	
14.5 cu. in	(238 cm ³)
8 oz.	(238 ml)
.06 gal.	(.23 liter)
Cycles Per Gallon (Liter)	16 (4.2)
Flow @ 60 Cycles/Min.	3.77 GPM (13.9 lpm)
Noise Level with muffler	
@ 60 PSI @ 40 Cycles/Min.	81.8 db(A)

Materials of Construction

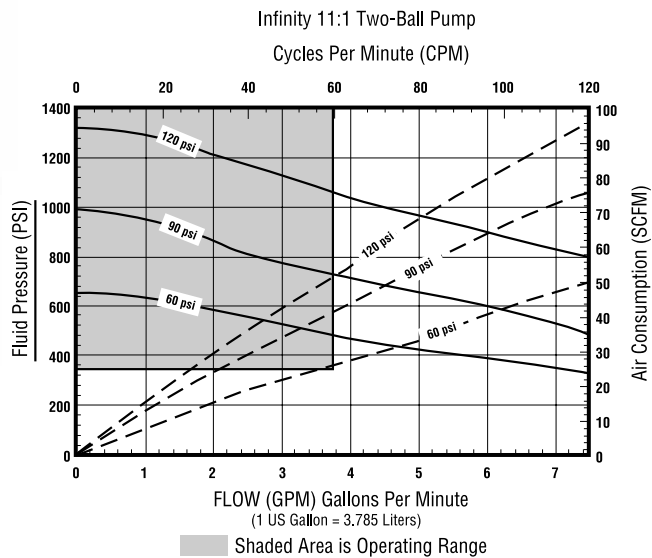
Lower Pump Material	316 SS Stnls. Steel
Plunger Material	17-4 Stnls. Steel, UltraCoat™ Ceramic Coating
Cylinder Material	316 Stnls. Steel, UltraCoat™ Ceramic Coating
Packing Set	UHMW Polyethylene
Max. 120° F Fluid Inlet Temp. (Standard)	
Max. 180° F Fluid Inlet Temp. (Optional)	
Weight	42.9 lbs. (19.5 kgs.)

Part Numbers

Air Motor	842001
Air Motor Repair Kit	861031
Lower Pump Assembly	871002
Lower Pump Repair Kit (UHMW)	861000
Optional Lower Pump Repair Kit	
PTFE/Leather (Upper and Lower)	861001

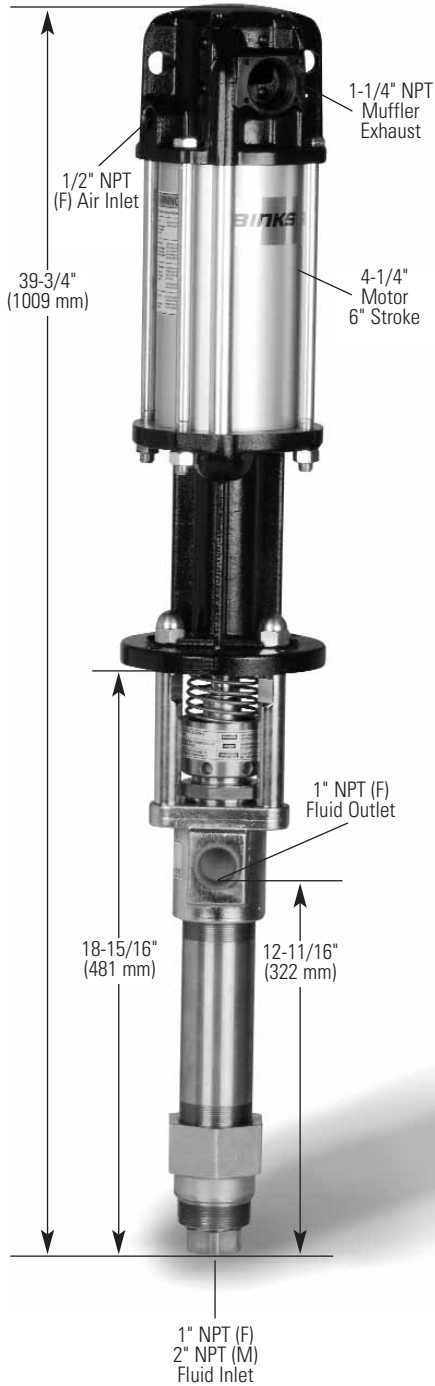
Available Accessories

Air Filter/Regulator	849303
Wall Mount Bracket	873115
Mounting Post	873185
Cart	873186
Muffler	873158
Fluid Filter	841006
Wet Sol Packing Lubricant	863009
Siphon Kits	
5 gallon	874500
55 gallon	874501
Siphon Kits Include: 5' hose, SS fittings, tube and strainer	



Infinity 22:1 Two-Ball Pump

Pump #812325 – Ratio 22:1 – 2200 PSI



Performance – 2200 PSI

Air Inlet Pressure	30 - 150 PSI (2 - 10.2 bar)
Fluid Pressure	660 - 3300 PSI (44.8 - 224.4 bar)
Max. Cycles/Min.	60
Displacement Per Cycle	
7.5 cu. in.	(122.9 cm ³)
4.1 oz.	(122.9 ml)
.03 gal.	(.12 liter)
Cycles Per Gallon (Liter)	30.8 (8.1)
Flow @ 60 Cycles/Min.	1.9 GPM (7.2 lpm)
Noise Level with muffler	
@ 60 PSI @ 40 Cycles/Min.	81.8 db(A)

Materials of Construction

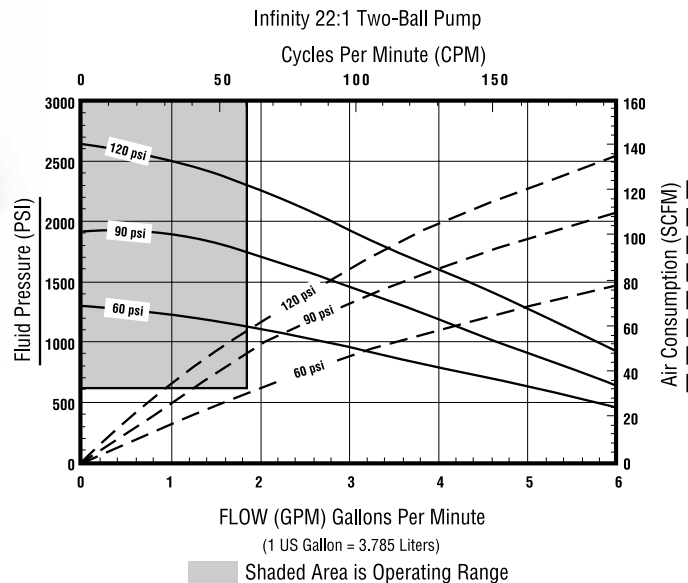
Lower Pump Material	316 SS Stnls. Steel
Plunger Material	17-4 Stnls. Steel, UltraCoat™ Ceramic Coating
Cylinder Material	316 Stnls. Steel, UltraCoat™ Ceramic Coating
Packing Set	UHMW Polyethylene
Max. 120° F Fluid Inlet Temp. (Standard)	
Max. 180° F Fluid Inlet Temp. (Optional)	
Weight	42.9 lbs. (19.5 kgs.)

Part Numbers

Air Motor	842001
Air Motor Repair Kit	861031
Lower Pump Assembly	871012
Lower Pump Kit (UHMW)	861010
Optional Lower Pump Repair Kit	
PTFE/Leather (Upper and Lower)	861011

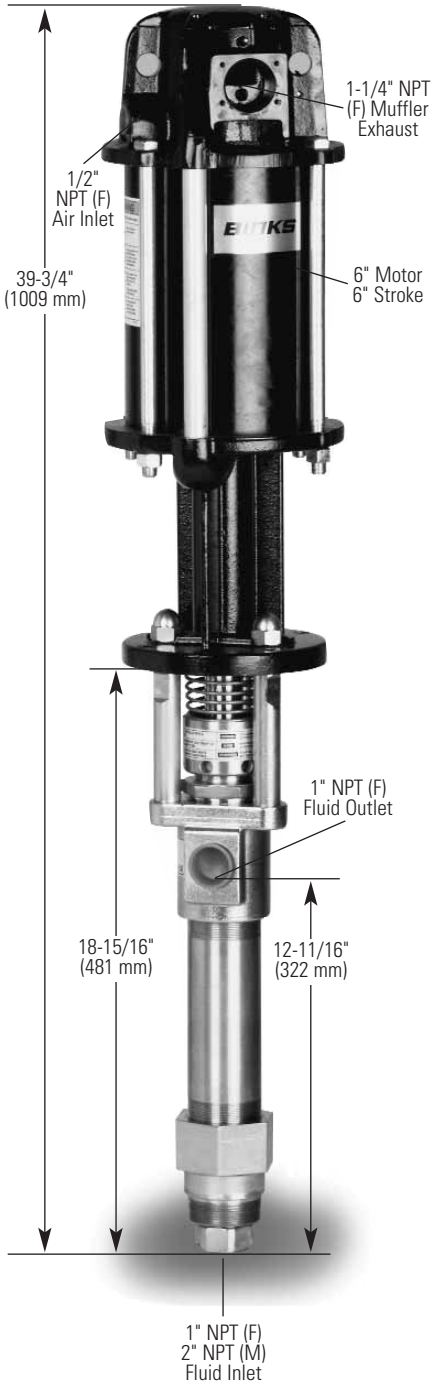
Available Accessories

Air Filter/Regulator	849303
Wall Mount Bracket	873115
Mounting Post	873185
Cart	873186
Muffler	873158
Fluid Filter	841006
Wet Sol Packing Lubricant	863009
Siphon Kits	
5 gallon	874500
55 gallon	874501
Siphon Kits Include: 5' hose, SS fittings, tube and strainer	



Infinity 23:1 Two-Ball Pump

Pump #812335 – Ratio 23:1 – 2300 PSI



Performance – 2300 PSI

Air Inlet Pressure	30 - 150 PSI (2 - 10.2 bar)
Fluid Pressure	690 - 3450 PSI (46.9 - 234.6 bar)
Max. Cycles/Min.	60
Displacement Per Cycle	
14.5 cu. in.	(238 cm ³)
8 oz.	(238 ml)
.06 gal.	(.23 liter)
Cycles Per Gallon (Liter)	15.9 (4.2)
Flow @ 60 Cycles/Min.	3.77 GPM (13.9 lpm)
Noise Level with muffler	
@ 60 PSI @ 40 Cycles/Min.	84.8 db(A)

Materials of Construction

Lower Pump Material	316 SS Stnls. Steel
Plunger Material	17-4 Stnls. Steel, UltraCoat™ Ceramic Coating
Cylinder Material	316 Stnls. Steel, UltraCoat™ Ceramic Coating
Packing Set	UHMW Polyethylene
Max. 120° F Fluid Inlet Temp. (Standard)	
Max. 180° F Fluid Inlet Temp. (Optional)	
Weight	46.2 lbs. (21 kgs.)

Part Numbers

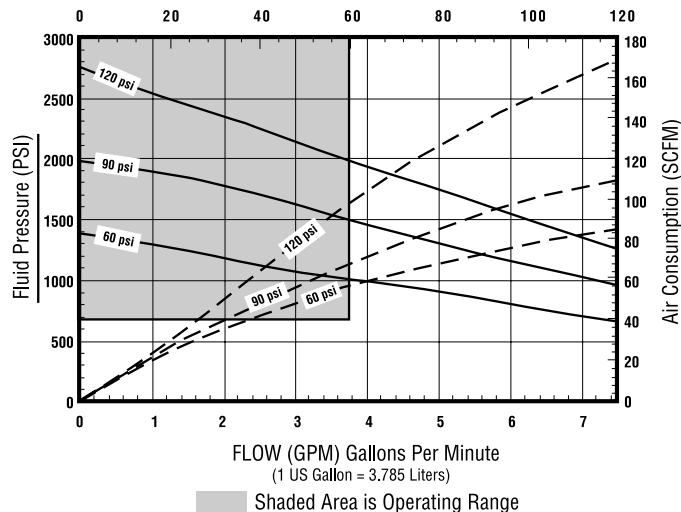
Air Motor	842002
Air Motor Repair Kit	861032
Lower Pump Assembly	871002
Lower Pump Repair Kit (UHMW)	861000
Optional Lower Pump Repair Kit	
PTFE/Leather (Upper and Lower)	861001

Available Accessories

Air Filter/Regulator	849303
Wall Mount	873115
Mounting Post	873185
Cart	873186
Muffler	873158
Fluid filter	841006
Wet Sol Packing Lubricant	863009
Siphon Kits	
5 gallon	874500
55 gallon	874501
Siphon Kits Include: 5' hose, SS fittings, tube and strainer	

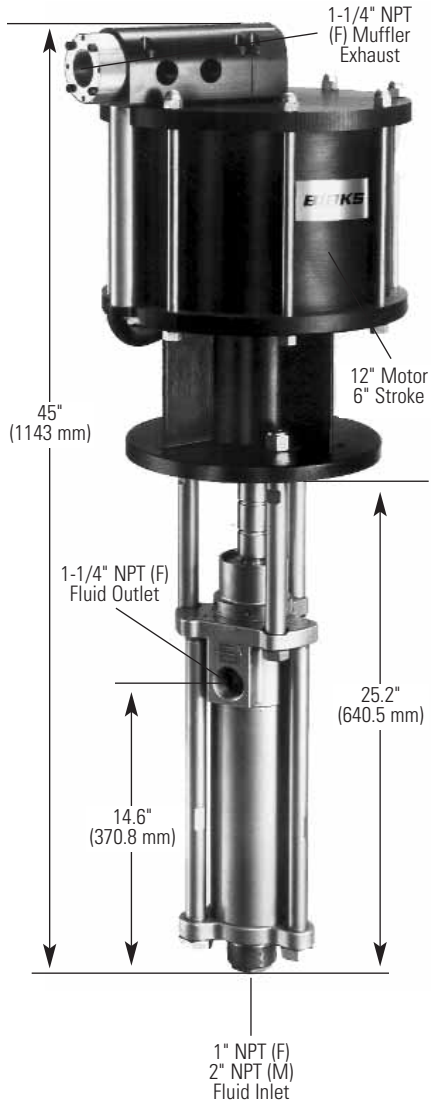


Infinity 23:1 Two Ball Pump
Cycles Per Minute (CPM)



Infinity 23:1 Two-Ball Pump

Pump #812440 – Ratio 23:1 – 15 GPM – 2300 PSI



Performance – 2300 PSI

Air Inlet Pressure 30-90 PSI (2.1-6.1 bar) Max.
 Fluid Pressure . . . 690-2070 PSI (47.6-140.8 bar) Max.
 Max. Cycles/Min. 70
 Displacement Per Cycle 59.9 (981.5 cm³)
 Cycles Per Gallon(Liter) 3.8 (1.01)
 Flow @ 60 Cycles/Min. 15 GPM (56.7 lpm)
 Noise Level with muffler
 @ 60 PSI @ 40 Cycles/Min. 88 db(A)

Materials of Construction

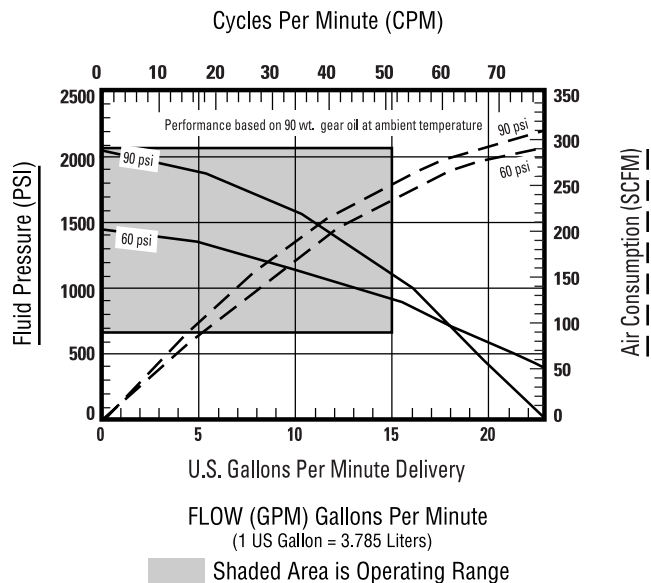
Lower Pump Material 316 SS Stnls. Steel
 Plunger Material . . . 15-5 Stnls. Steel, ChromePlated
 Cylinder Material . . 15-5 Stnls. Steel, ChromePlated
 Material Inlet 2" NPT (M)
 Material Outlet 1-1/4" NPT (F)
 Weight 140 lbs. (63.6 kgs.)

Part Numbers

Air Motor 842007
 Air Motor Repair Kit. 861086
 Lower Pump Assembly 871100
 Lower Pump Repair Kit, UHMW 861100
 Lower Pump Repair Kit, PTFE 861101

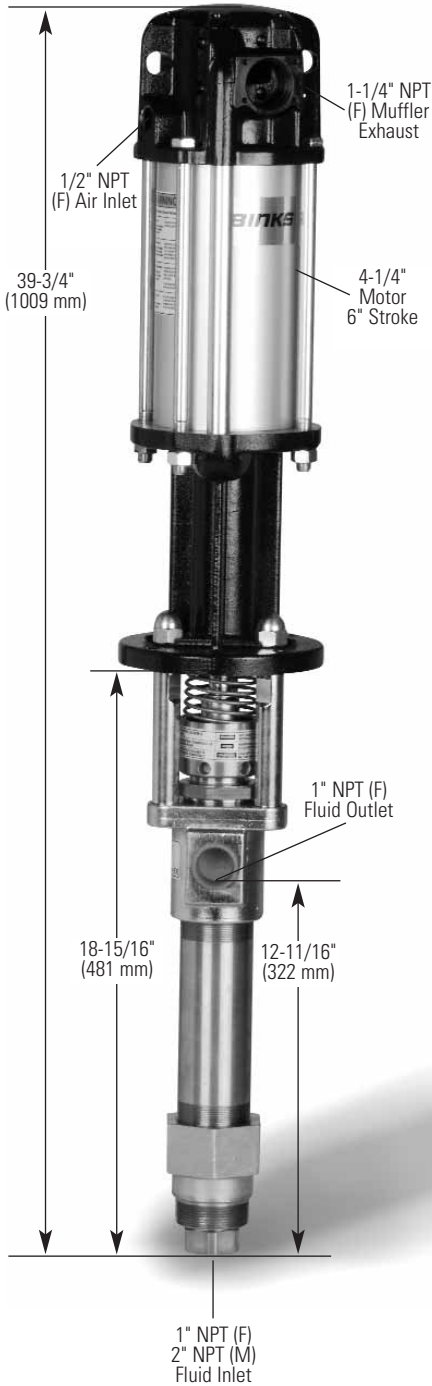
Available Accessories

Air Filter/Regulator 849303
 Wall Mount Bracket 873189
 Muffler 873364
 Wet Sol Packing Lubricant. 863009



Infinity 30:1 Two-Ball Pump

Pump #812345 – Ratio 30:1 – 3000 PSI



Performance – 3000 PSI

Air Inlet Pressure	30 - 150 PSI (2 - 10.2 bar)
Fluid Pressure	900 - 4500 PSI (61.2 - 306.1 bar)
Max. Cycles/Min.	60
Displacement Per Cycle	
5.5 cu. in.	(90.1 cm ³)
3 oz.	(90.1 ml)
.024 gal.	(.09 liter)
Cycles Per Gallon (Liter)	41.9 (11)
Flow @ 60 Cycles/Min.	1.40 GPM (4.9 lpm)
Noise Level with muffler	
@ 60 PSI @ 40 Cycles/Min.	84.8 db(A)

Materials of Construction

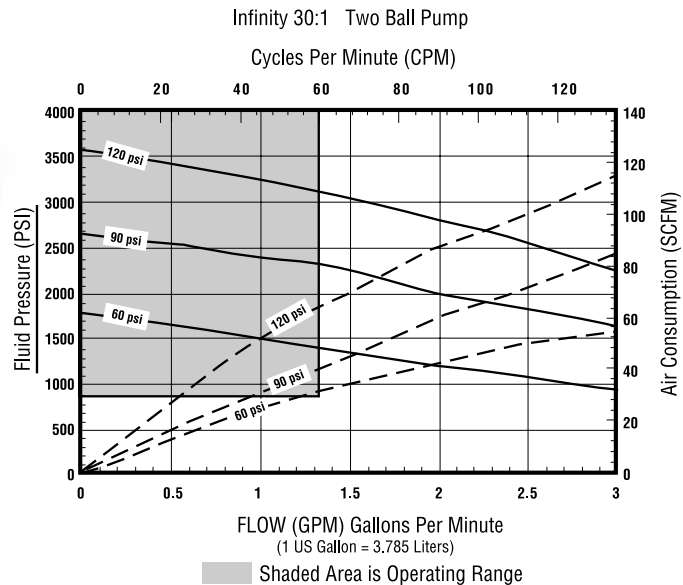
Lower Pump Material	316 SS Stnls. Steel
Plunger Material	17-4 Stnls. Steel, UltraCoat™ Ceramic Coating
Cylinder Material	316 Stnls. Steel, UltraCoat™ Ceramic Coating
Packing Set	UHMW Polyethylene
Max. 120° F Fluid Inlet Temp. (Standard)	
Max. 180° F Fluid Inlet Temp. (Optional)	
Weight	42.9 lbs. (21 kgs.)

Part Numbers

Air Motor	842001
Air Motor Repair Kit	861031
Lower Pump Assembly	871022
Lower Pump Repair Kit (UHMW)	861020
Optional Lower Pump Repair Kit	
PTFE/Leather (Upper and Lower)	861021

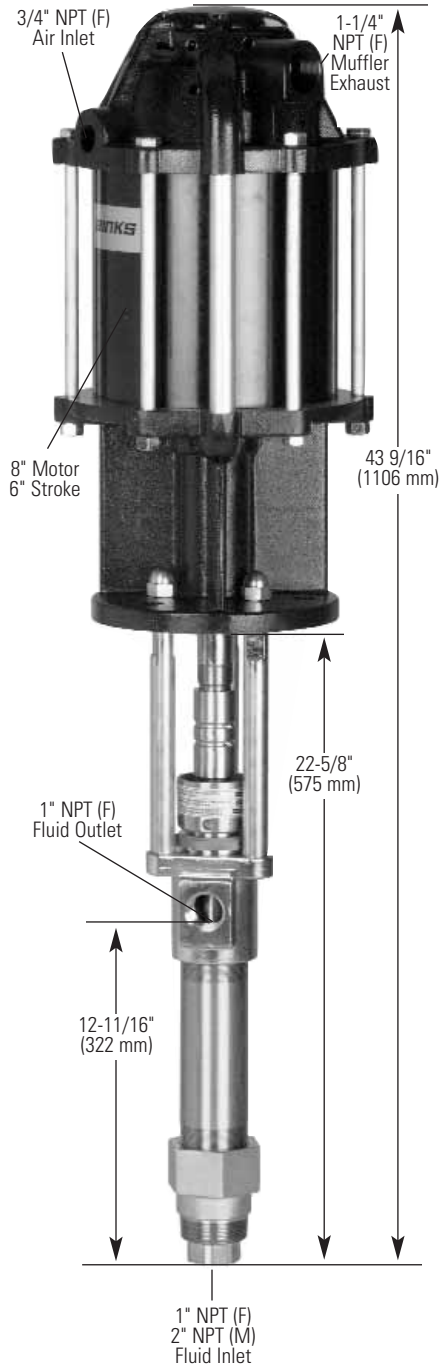
Available Accessories

Air Filter/Regulator	849303
Wall Mount Bracket	873115
Mounting Post	873185
Cart	873186
Muffler	873158
Fluid filter	841006
Wet Sol Packing Lubricant	863009
Siphon Kits	
5 gallon	874500
55 gallon	874501
Siphon Kits Include: 5' hose, SS fittings, tube and strainer	



Infinity 40:1 Two-Ball Pump

Pump #812415 – Ratio 40:1 – 4000 PSI



Performance – 4000 PSI

Air Inlet Pressure	30 - 120 PSI (2 - 8.1 bar)
Fluid Pressure	1200 - 4800 PSI (81.6 - 326.5 bar)
Max. Cycles/Min.	60
Displacement Per Cycle	
14.5 cu. in.	(238 cm ³)
8 oz.	(238 ml)
.06 gal.	(.23 liter)
Cycles Per Gallon (Liter)	16 (4.2)
Flow @ 60 Cycles/Min.	3.77 GPM (13.9 lpm)
Noise Level with muffler	
@ 60 PSI @ 40 Cycles/Min.	89.9 db(A)

Materials of Construction

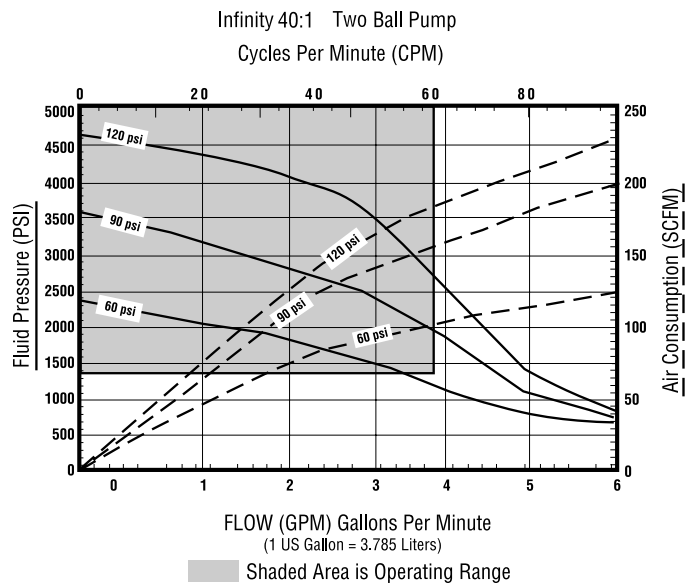
Lower Pump Material	316 SS Stnls. Steel
Plunger Material	17-4 Stnls. Steel, UltraCoat™ Ceramic Coating
Cylinder Material	316 Stnls. Steel, UltraCoat™ Ceramic Coating
Packing Set	UHMW Polyethylene
Max. 120° F Fluid Inlet Temp. (Standard)	
Max. 180° F Fluid Inlet Temp. (Optional)	
Weight	68.1 lbs. (30.9 kgs.)

Part Numbers

Air Motor	842003
Air Motor Repair Kit	861033
Lower Pump Assembly	871003
Lower Pump Repair Kit (UHMW)	861000
Optional Lower Pump Repair Kit	
PTFE/Leather (Upper and Lower)	861001

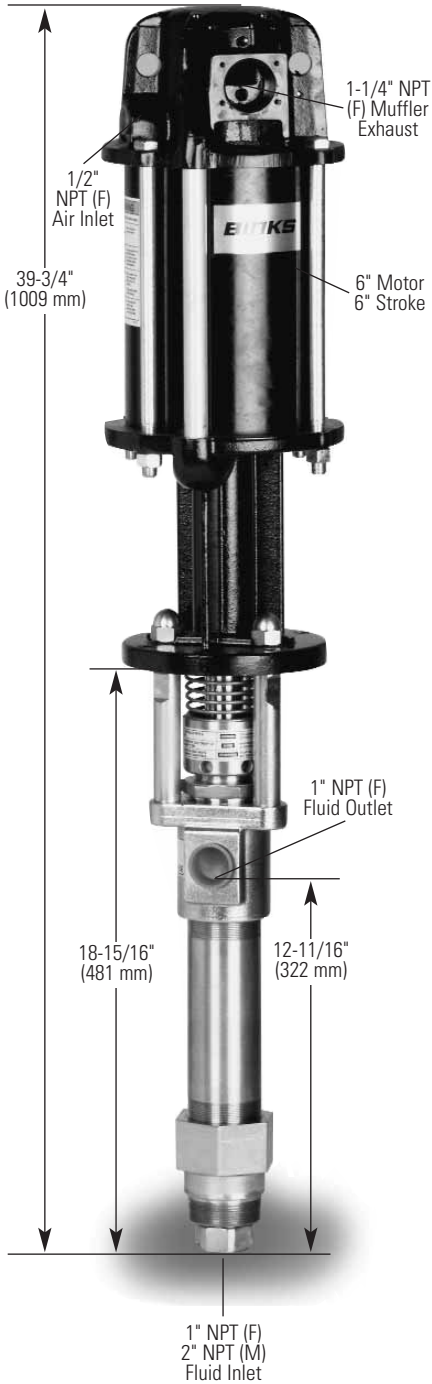
Available Accessories

Air Filter/Regulator	849303
Wall Mount Bracket	873237
Mounting Post	873185
Cart	873238
Muffler	873190
Fluid filter	841006
Wet Sol Packing Lubricant	863009
Siphon Kits	
5 gallon	874500
55 gallon	874501
Siphon Kits Include: 5' hose, SS fittings, tube and strainer	



Infinity 45:1 Two-Ball Pump

Pump #812355 – Ratio 45:1 – 4500 PSI



Performance – 4500 PSI

Air Inlet Pressure	30 - 120 PSI (2 - 8.3 bar)
Fluid Pressure	1350 - 5400 PSI (91.8 - 367 bar)
Max. Cycles/Min.	60
Displacement Per Stroke	
7.5 cu. in.	(122.9 cm ³)
4.1 oz.	(122.9 ml)
.03 gal.	(.12 liter)
Cycles Per Gallon (Liter)	30.9 (8.1)
Flow @ 60 Cycles/Min.	1.9 GPM (7.2 lpm)
Noise Level with muffler	
@ 60 PSI @ 40 Cycles/Min.	84.8 db(A)

Materials of Construction

Lower Pump Material	316 SS Stnls. Steel
Plunger Material	17-4 Stnls. Steel, UltraCoat™ Ceramic Coating
Cylinder Material	316 Stnls. Steel, UltraCoat™ Ceramic Coating
Packing Set	UHMW Polyethylene
Max. 120° F Fluid Inlet Temp. (Standard)	
Max. 180° F Fluid Inlet Temp. (Optional)	
Weight	46.2 lbs. (21 kgs.)

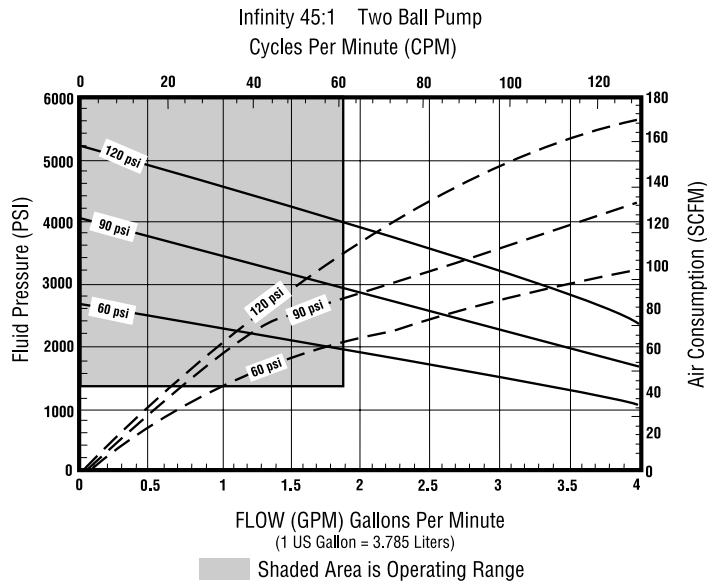
Part Numbers

Air Motor	842002
Air Motor Repair Kit	861032
Lower Pump Assembly	871012
Lower Pump Repair Kit (UHMW)	861010
Optional Lower Pump Repair Kit	
PTFE/Leather (Upper and Lower)	861011

Available Accessories

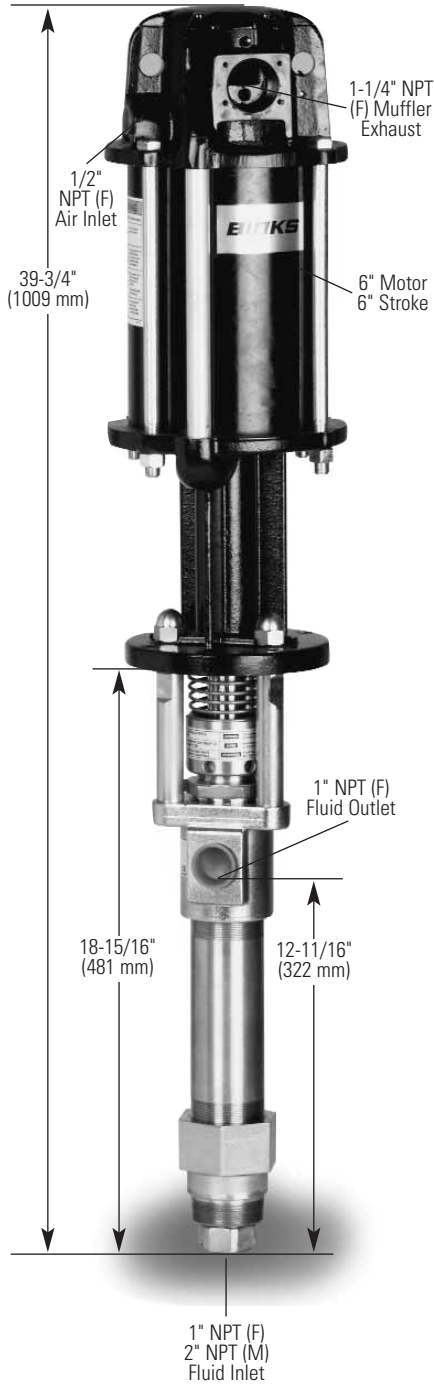
Air Filter/Regulator	849303
Wall Mount Bracket	873115
Mounting Post	873185
Cart	873186
Muffler	873158
Fluid filter	841006
Wet Sol Packing Lubricant	863009
Siphon Kits	
5 gallon	874500
55 gallon	874501
Siphon Kits Include: 5' hose, SS fittings, tube and strainer	

**SPECIAL ORDER PUMP
LONG LEAD TIME**



Infinity 60:1 Two-Ball Pump

Pump #812365 – Ratio 60:1 – 6000 PSI



Performance – 6000 PSI

Air Inlet Pressure	30 - 100 PSI (2 - 6.9 bar)
Fluid Pressure	1800 - 6000 PSI (122 - 408 bar)
Max. Cycles/Min.	60
Displacement Per Cycle	
5.5 cu. in.	(90.1 cm ³)
3 oz.	(90.1 ml)
.024 gal.	(.09 liter)
Cycles Per Gallon (Liter)	41.9 (11)
Flow @ 60 Cycles/Min.	1.4 GPM (4.9 lpm)
Noise Level with muffler	
@ 60 PSI @ 40 Cycles/Min.	84.8 db(A)

Materials of Construction

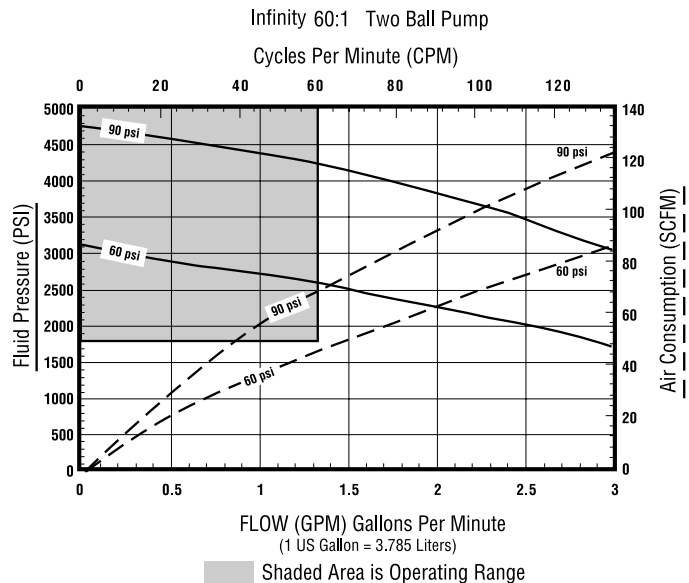
Lower Pump Material	316 SS Stnls. Steel
Plunger Material	17-4 Stnls. Steel, UltraCoat™ Ceramic Coating
Cylinder Material	316 Stnls. Steel, UltraCoat™ Ceramic Coating
Packing Set	UHMW Polyethylene
Max. 120° F Fluid Inlet Temp. (Standard)	
Max. 180° F Fluid Inlet Temp. (Optional)	
Weight	46.2 lbs. (21 kgs.)

Part Numbers

Air Motor	842002
Air Motor Repair Kit	861032
Lower Pump Assembly	871022
Lower Pump Repair Kit (UHMW)	861020
Optional Lower Pump Repair Kit	
PTFE/Leather (Upper and Lower)	861021

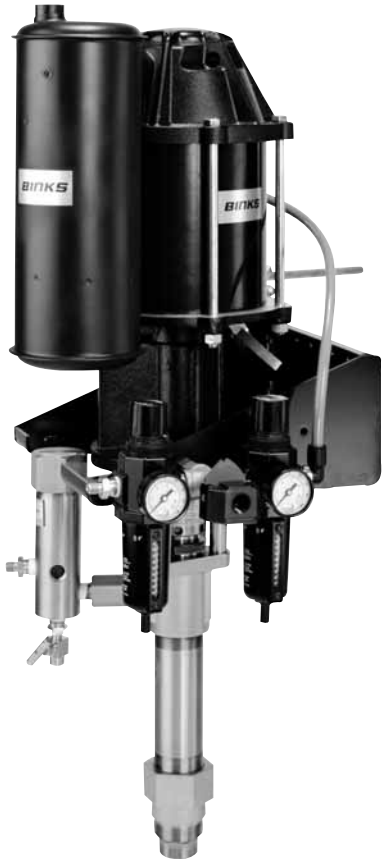
Available Accessories

Air Filter/Regulator	849303
Wall Mount Bracket	873115
Mounting Post	873185
Cart	873186
Muffler	873158
Fluid filter	841006
Wet Sol Packing Lubricant	863009
Siphon Kits	
5 gallon	874500
55 gallon	874500
Siphon Kits Include: 5' hose, SS fittings, tube and strainer	



Infinity Two-Ball Pump Packages

Wall Mounted



Wall Mount Package Includes

- Pump with UltraCoat™
- Wall Mount Bracket
- Muffler
- Air Filter/Regulator
- Stainless Steel Material Filter
- Manual Fluid Pressure Relief Valve
- Pneumatic Shut Off Valve
- Needle Valve

MODEL – 1100 PSI
I-4, 11:1 Ratio, 3.77 GPM 812115

TYPICAL APPLICATIONS
11:1 – used in air assist airless and lower-range airless systems with light to medium viscosity coatings. This pump can be used as a multi-gun supply pump in a circulating or a dead end system. Bare pump #812315

MODEL – 2200 PSI
I-4, 22:1 Ratio, 1.9 GPM 812125

TYPICAL APPLICATIONS
22:1 – used in air assist airless and mid-range airless systems with light to medium viscosity coatings. This pump can also be used in a circulating system or a dead end system. Bare pump #812325

MODEL – 2300 PSI
I-6, 23:1 Ratio, 3.77 GPM 812135

TYPICAL APPLICATIONS
23:1 – used in air assist airless and mid-range airless systems with light to medium viscosity coatings. This pump can be used as a multi-gun supply pump in a circulating or a dead end system. Bare pump #812335

MODEL – 3000 PSI
I-4, 30:1 Ratio, 1.5 GPM 812145

TYPICAL APPLICATIONS
30:1 – used in air assist airless and mid-high range airless systems with light, medium and high viscosity coatings. This pump can also be used in a circulating system or a dead end system. Bare pump #812345

MODEL – 4000 PSI
I-8, 40:1 Ratio, 3.77 GPM 812265

TYPICAL APPLICATIONS
40:1 – used in high-pressure systems with light, medium or high viscosity coatings. Typically an airless pump, can also supply air assisted airless. This pump can also be used in multi-gun circulating or a dead end system. Bare pump #812415

Accessories (Included)

Wall Mount Bracket	
for 4-1/4" and 6" motors	873115
for 8" motors	873237
Mufflers	
for 4-1/4" and 6" air motors	873158
for 8" air motors	873190
Air Filter/Regulator (2)	849303
SS Fluid Filter w/100 mesh element	841006

Available Accessories*

Siphon Kits	
5 gallon	874500
55 gallon	874501
Siphon kits include 5' hose, SS fittings, tube and strainer	
* Not included with packages	

MODEL – 4500 PSI
I-6, 45:1 Ratio, 1.9 GPM 812155

TYPICAL APPLICATIONS
45:1 – used in high-pressure systems with light, medium or high viscosity coatings. Typically an airless pump, can also supply air assisted airless. This pump can also be used in a circulating system or a dead end system. Bare pump #812355

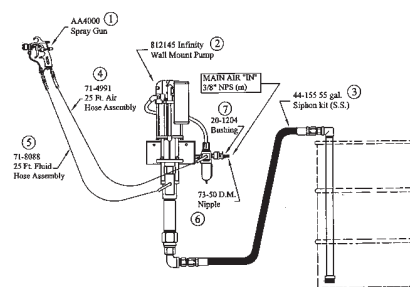
MODEL – 6000 PSI
60:1 Ratio, 1.4 GPM 812165

TYPICAL APPLICATIONS
60:1 – used in high-pressure systems with light, medium or high viscosity coatings. Typically an airless pump, can also supply air assisted airless. This pump can also be used in a circulating system or a dead end system. Bare pump #812360

Outfit – 1100 PSI

I-4, 30:1 Ratio, 1.5 GPM 98-3090

TYPICAL APPLICATIONS
Includes: 812145 pump package, 55 gallon siphon kit, 25' air/fluid hose, AA 4000 spray gun w/.012" orifice x 10" wide fluid tip. Bare pump #812345



Infinity Two-Ball Pump Packages

Cart Mounted



■ Cart Mount Package Includes

- Pump
- Cart
- Muffler
- Air Filter/Regulator
- Stainless Steel Material Filter
- Manual Fluid Pressure Relief Valve
- Pneumatic Shut Off Valve
- Needle Valve

■ Accessories (Included)

- Carts
 for 4-1/4" and 6" motors 873186
 for 8" motors 873238
- Mufflers
 for 4-1/4" and 6" air motors 873158
 for 8" air motors 873190
- Air Filter/Regulator (2) 849303
 SS Fluid Filter w/100 mesh element 841006

■ Available Accessories

- Siphon Kits
 5 gallon (included with packages) 874500
 55 gallon (not included with packages) 874501
- Siphon kits include 5' hose, SS fittings, tube and strainer

MODEL – 1100 PSI
 I-4, 11:1 Ratio, 3.77 GPM 812205

TYPICAL APPLICATIONS

11:1 – used in air assist airless and lower-range airless systems with light to medium viscosity coatings. This pump can be used as a multi-gun supply pump in a circulating or a dead end system. Bare pump #812315

MODEL – 2200 PSI
 I-4, 22:1 Ratio, 1.9 GPM 812215

TYPICAL APPLICATIONS

22:1 – used in air assist airless and mid-range airless systems with light to medium viscosity coatings. This pump can also be used in a circulating system or a dead end system. Bare pump #812325

MODEL – 2300 PSI
 I-6, 23:1 Ratio, 3.77 GPM 812225

TYPICAL APPLICATIONS

23:1 – used in air assist airless and mid-range airless systems with light to medium viscosity coatings. This pump can be used as a multi-gun supply pump in a circulating or a dead end system. Bare pump #812335

MODEL – 3000 PSI
 I-4, 30:1 Ratio, 1.5 GPM 812235

TYPICAL APPLICATIONS

30:1 – used in air assist airless and mid-high range airless systems with light, medium and high viscosity coatings. Bare pump #812345

MODEL – 4000 PSI
 I-8, 40:1 Ratio, 3.77 GPM 812275

TYPICAL APPLICATIONS

40:1 – used in high-pressure systems with light, medium or high viscosity coatings. Typically an airless pump, can also supply air assisted airless. This pump can also be used in a multi-gun, dead end system. Bare pump #812415

MODEL – 4500 PSI
 I-6, 45:1 Ratio, 1.9 GPM 812245

TYPICAL APPLICATIONS

45:1 – used in high-pressure systems with light, medium or high viscosity coatings. Typically an airless pump, can also supply air assisted airless. Excellent choice for Corrosion Control applications. Bare pump #812355

MODEL – 6000 PSI
 I-6, 60:1 Ratio, 1.5 GPM 812255

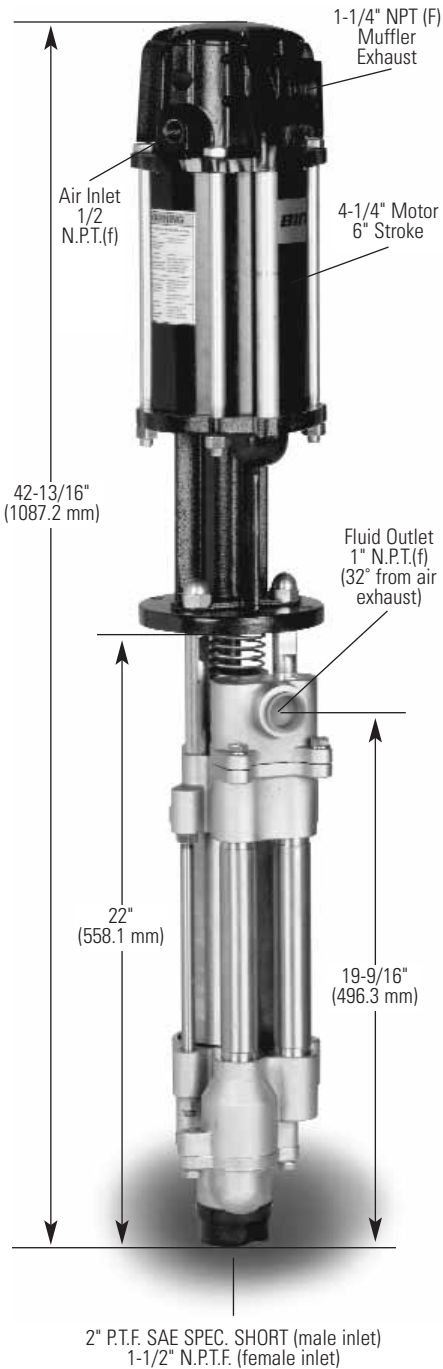
TYPICAL APPLICATIONS

60:1 – used in high-pressure systems with light, medium or high viscosity coatings. Typically an airless pump, can also supply air assisted airless. Excellent choice for Corrosion Control applications. Bare pump #812365



Infinity 2:1 Four-Ball Pump

Pump #814400 – Ratio 2:1 – 200 PSI



Performance – 200 PSI

Air Inlet Pressure	30 - 150 PSI (2.1 - 10.3 bar)
Fluid Pressure	60 - 312 PSI (4.1 - 21.5 bar)
Max. Cycles/Min.	60
Displacement Per Cycle	82.1 cu. in.
Volume/Cycle	45.5 oz. (1344 ml)
Cycles Per Gallon	2.8
Flow @ 60 Cycles/Min.	21.3 GPM (80.6 lpm)
Noise Level with muffler @ 60 PSI @ 40 Cycles/Min.	81.8 db(A)

Materials of Construction

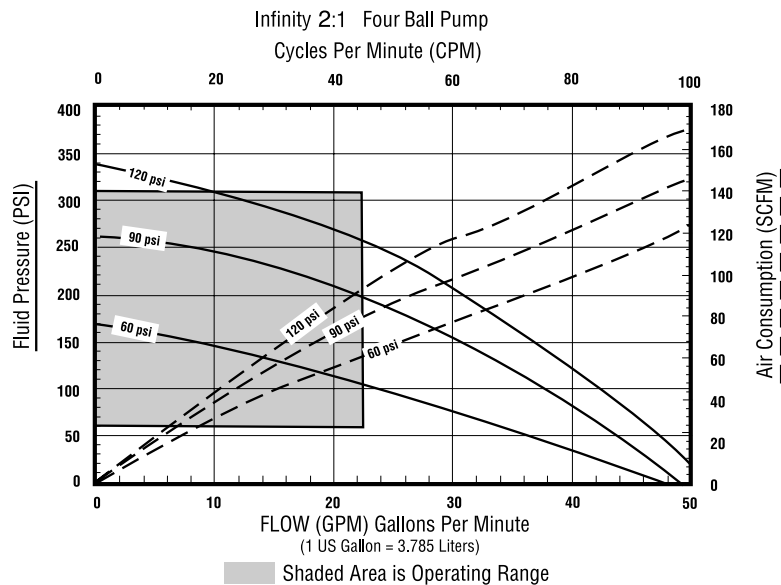
Lower Pump Material	316 SS Stnls. Steel
Plunger Material	17-4 Stnls. Steel, UltraCoat™ Ceramic Coating
Cylinder Material	316 Stnls. Steel, UltraCoat™ Ceramic Coating
Packing Set	UHMW Polyethylene
Max. 120° F Fluid Inlet Temp. (Standard)	
Max. 180° F Fluid Inlet Temp. (Optional)	
Weight	68 lbs. (30.8 kgs.)

Part Numbers

Air Motor	842001
Air Motor Repair Kit	861031
Lower Pump Assembly	871030
Lower Pump Repair Kit, UHMW	861060
Optional Lower Pump Repair Kit	861061

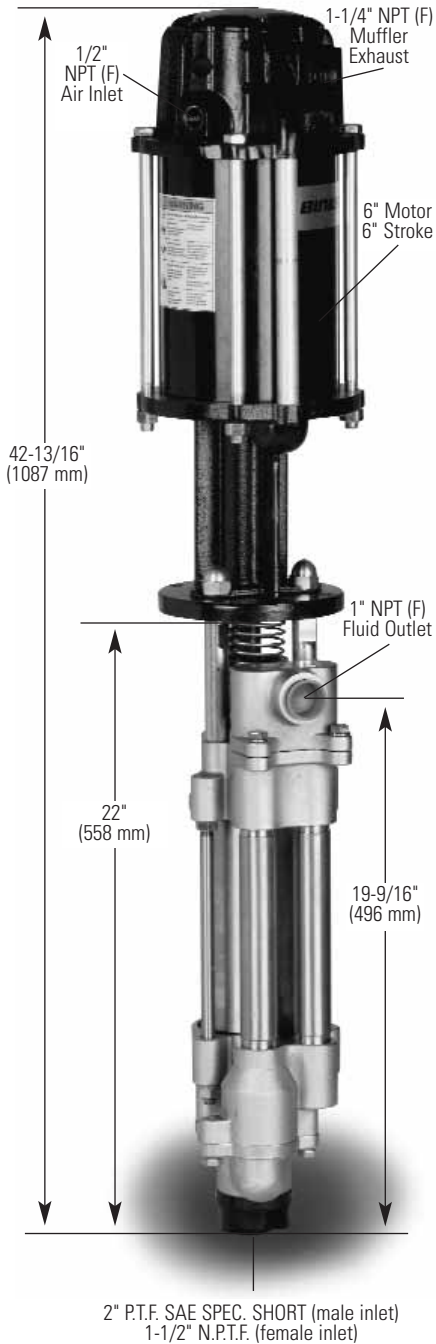
Available Accessories

Air Filter/Regulator	849303
Wall Mount Bracket	873115
Mounting Post	873185
Muffler	873158
Fluid filter	841006
Wet Sol Packing Lubricant	863009



Infinity 3:1 Four-Ball Pump

Pump #814410 – Ratio 3:1 – 300 PSI



Performance – 300 PSI

Air Inlet Pressure	30 - 150 PSI (2.1 - 10.2 bar)
Fluid Pressure	90 - 450 PSI (6.1 - 30.6 bar)
Max. Cycles/Min.	60
Displacement Per Cycle	
112.7 cu. in.	(1846.8 cm ³)
62 oz.	(1846.8 ml)
.49 gal.	(1.8 liters)
Cycles Per Gallon(Liter)	2.05 (.54)
Flow @ 60 Cycles/Min.	29.3 GPM (110.8 lpm)
Noise Level with muffler	
@ 60 PSI @ 40 Cycles/Min.	84.8 db(A)

Materials of Construction

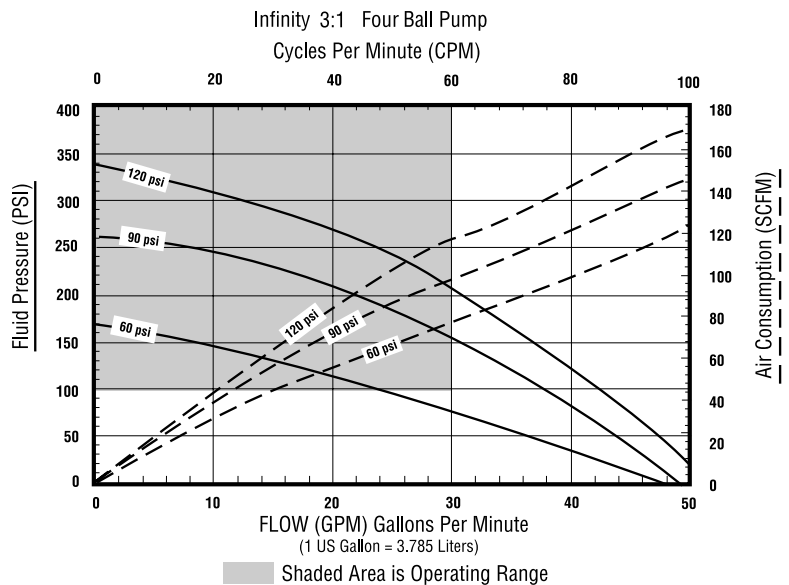
Lower Pump Material	316 SS Stnls. Steel
Plunger Material	17-4 Stnls. Steel, UltraCoat™ Ceramic Coating
Cylinder Material	316 Stnls. Steel, UltraCoat™ Ceramic Coating
Packing Set	UHMW Polyethylene
Max. 120° F Fluid Inlet Temp. (Standard)	
Max. 180° F Fluid Inlet Temp. (Optional)	
Weight	73.25 lbs. (33.2 kgs.)

Part Numbers

Air Motor	842002
Air Motor Repair Kit	861032
Lower Pump Assembly	871040
Lower Pump Repair Kit (UHMW)	861070
Optional Lower Pump Repair Kit	861071

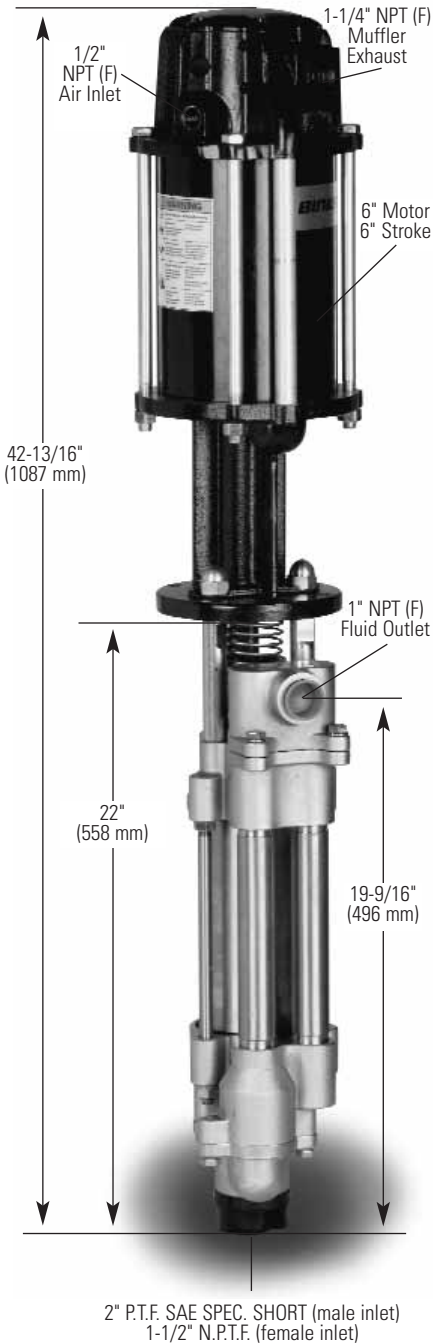
Available Accessories

Air Filter/Regulator	849303
Wall Mount Bracket	873115
Mounting Post	873185
Muffler	873158
Fluid filter	841006
Wet Sol Packing Lubricant	863009



Infinity 4:1 Four-Ball Pump

Pump #814420 – Ratio 4:1 – 400 PSI



Performance – 400 PSI

Air Inlet Pressure	30 - 150 PSI (2.1 - 10.2 bar)
Fluid Pressure	120 - 600 PSI (8.1 - 40.8 bar)
Max. Cycles/Min.	60
Displacement Per Cycle	
82.1 cu. in.	(1345 cm ³)
45 oz.	(1345 ml)
.36 gal.	(1.34 liters)
Cycles Per Gallon(Liter)	2.8 (.74)
Flow @ 60 Cycles/Min.	21.3 GPM (80.6 lpm)
Noise Level with muffler	
@ 60 PSI @ 40 Cycles/Min.	84.8 db(A)

Materials of Construction

Lower Pump Material	316 SS Stnls. Steel
Plunger Material	17-4 Stnls. Steel, UltraCoat™ Ceramic Coating
Cylinder Material	316 Stnls. Steel, UltraCoat™ Ceramic Coating
Packing Set	UHMW Polyethylene
Max. 120° F Fluid Inlet Temp. (Standard)	
Max. 180° F Fluid Inlet Temp. (Optional)	
Weight	71.25 lbs. (32.3 kgs.)

Part Numbers

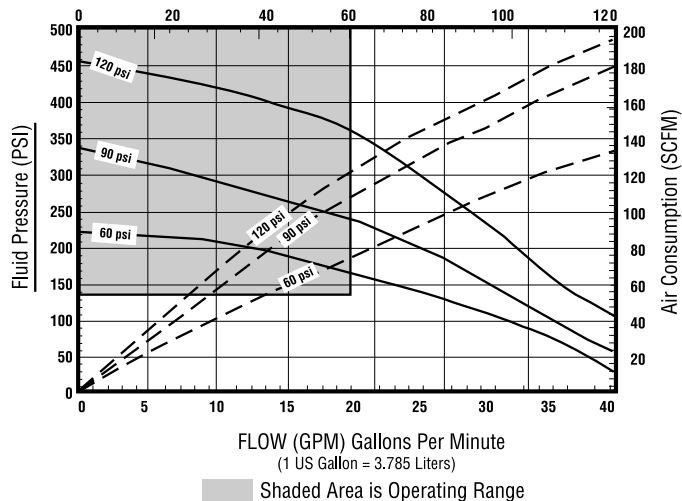
Air Motor	842002
Air Motor Repair Kit	861032
Lower Pump Assembly	871030
Lower Pump Repair Kit (UHMW)	861060
Optional Lower Pump Repair Kit	861061

Available Accessories

Air Filter/Regulator	849303
Wall Mount Bracket	873115
Mounting Post	873185
Muffler	873158
Fluid filter	841006
Wet Sol Packing Lubricant	863009

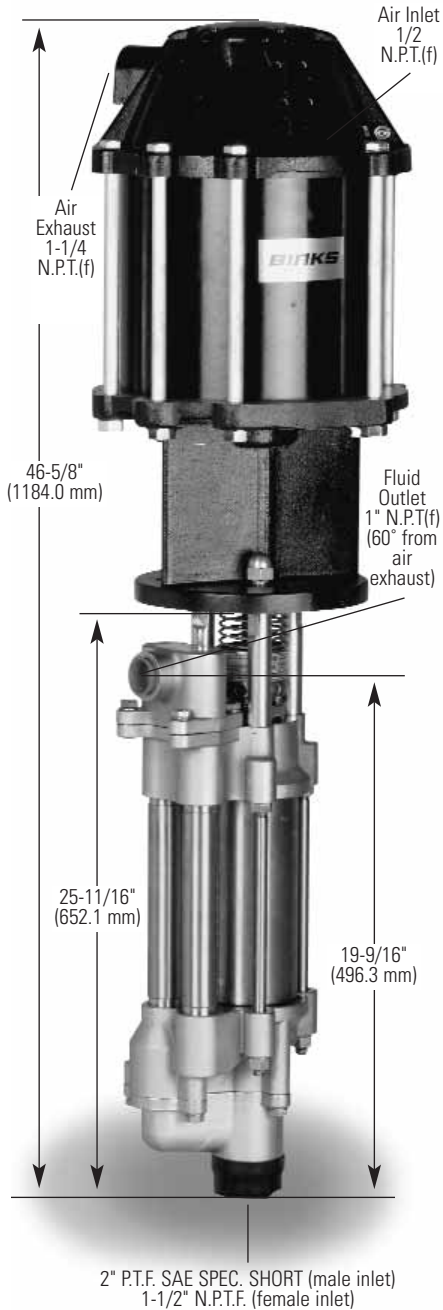


Infinity 4:1 Four Ball Pump
Cycles Per Minute (CPM)



Infinity 5:1 Four-Ball Pump

Pump #814430 – Ratio 5:1 – 500 PSI



Performance – 500 PSI

Air Inlet Pressure	30 - 120 PSI (2.1 - 8.3 bar)
Fluid Pressure	150 - 702 PSI (10.3 - 48.4 bar)
Max. Cycles/Min.	60
Displacement Per Cycle	108.1 cu. in.
Volume/Cycle	59.9 oz. (1771 ml)
Cycles Per Gallon	2.1
Flow @ 60 Cycles/Min.	28.1 GPM (106.3 lpm)
Noise Level with muffler @ 60 PSI @ 40 Cycles/Min.	89.8 db(A)

Materials of Construction

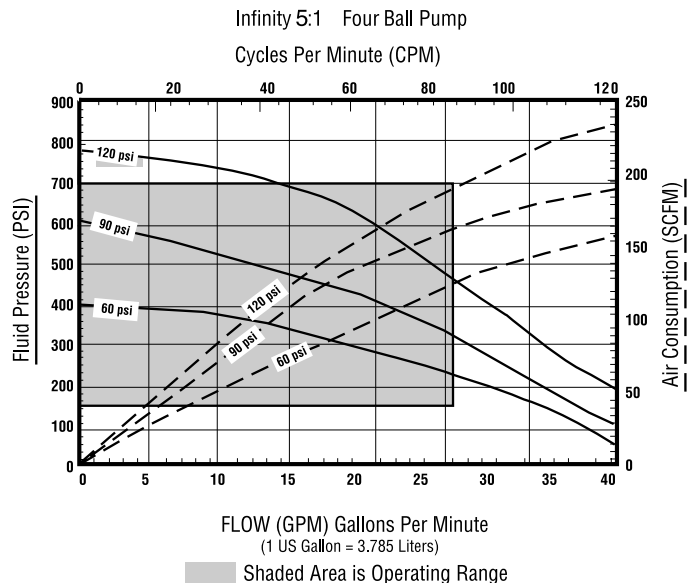
Lower Pump Material	316 SS Stnls. Steel
Plunger Material	17-4 Stnls. Steel, UltraCoat™ Ceramic Coating
Cylinder Material	316 Stnls. Steel, UltraCoat™ Ceramic Coating
Packing Set	UHMW Polyethylene
Max. 120° F Fluid Inlet Temp. (Standard)	
Max. 180° F Fluid Inlet Temp. (Optional)	
Weight	96 lbs. (43.5 kgs.)

Part Numbers

Air Motor	842003
Air Motor Repair Kit	861033
Lower Pump End Series	871040
Lower Pump Repair Kit	861070
Optional Lower Pump Repair Kit	861076

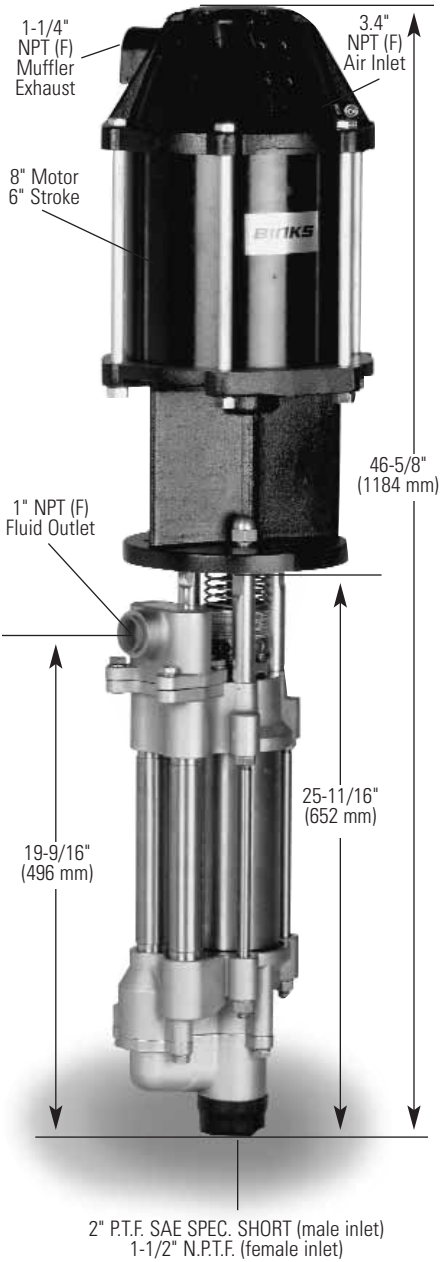
Available Accessories

Air Filter/Regulator	849303
Wall Mount Bracket	873115
Mounting Post	873185
Muffler	873158
Fluid filter	841006
Wet Sol Packing Lubricant	863009



Infinity 7:1 Four-Ball Pump

Pump #814440 – Ratio 7:1 – 700 PSI



Performance – 700 PSI

Air Inlet Pressure	30 - 120 PSI (2 - 8.1 bar)
Fluid Pressure	210 - 840 PSI (14.2 - 57.1 bar)
Max. Cycles/Min.	60
Displacement Per Cycle	
77.5 cu. in.	(1269 cm ³)
43 oz.	(1269 ml)
.34 gal.	(1.26 liters)
Cycles Per Gallon(Liter)	2.98 (.78)
Flow @ 60 Cycles/Min.	20.1 GPM (76 lpm)
Noise Level with muffler	
@ 60 PSI @ 40 Cycles/Min.	89.8 db(A)

Materials of Construction

Lower Pump Material	316 SS Stnls. Steel
Plunger Material	17-4 Stnls. Steel, UltraCoat™ Ceramic Coating
Cylinder Material	316 Stnls. Steel, UltraCoat™ Ceramic Coating
Packing Set	UHMW Polyethylene
Max. 120° F Fluid Inlet Temp. (Standard)	
Max. 180° F Fluid Inlet Temp. (Optional)	
Weight	94 lbs. (42.6 kgs.)

Part Numbers

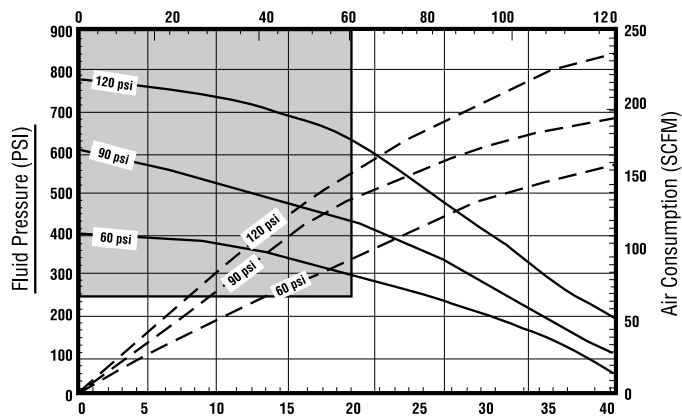
Air Motor	842003
Air Motor Repair Kit	861033
Lower Pump Assembly	871031
Lower Pump Repair Kit (UHMW)	861065
Optional Lower Pump Repair Kit	861066

Available Accessories

Air Filter/Regulator	849303
Wall Mount Bracket	873189
Mounting Post	873185
Muffler	873190
Fluid filter	841006
Wet Sol Packing Lubricant	863009



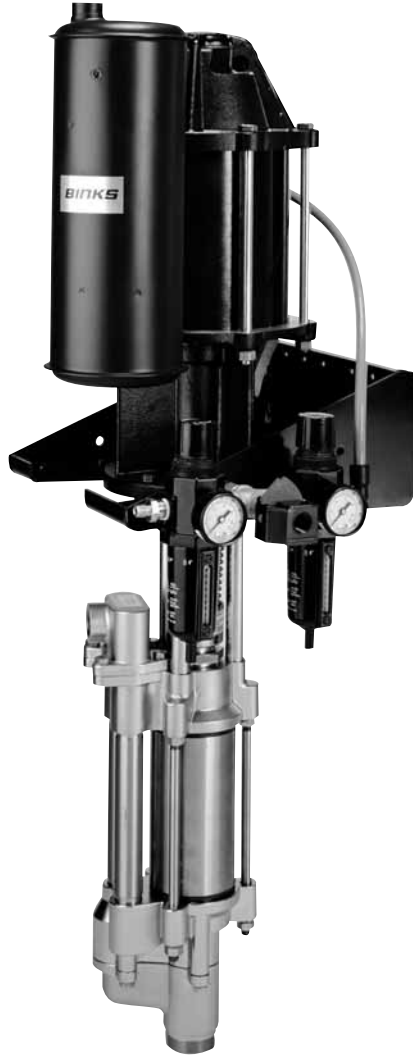
Infinity 7:1 Four Ball Pump
Cycles Per Minute (CPM)



FLOW (GPM) Gallons Per Minute
(1 US Gallon = 3.785 Liters)
Shaded Area is Operating Range

Infinity Four-Ball Pump Package

The All-Stainless Pump Built to Take on the Toughest Applications
Ceramic UltraCoat™ on Cylinder and Rod



Package Includes

- Pump
- Wall Mount Bracket
- Muffler
- Air Filter/Regulator
- Pneumatic Shut Off Valve

Accessories (Included)

Wall Mount Bracket	
for 4-1/4" and 6" motors	873115
for 8" motors	873237
Mufflers	
for 4-1/4" and 6" air motors	873158
for 8" air motors	873190
Air Filter/Regulator (2)	849303

Available Accessories

SS Fluid Filter w/100 mesh element	841006
Siphon Kits	
5 gallon	874500
55 gallon	874501

Siphon kits include 5' hose, SS fittings, tube and strainer

Markets Include

- Large Wood
- Office Furniture
- Large General Industrial
- Commercial Equipment
- Aerospace
- And More

Model

I-4, 2:1 Ratio/21.3 GPM – 200 PSI	814100
Bare Pump #814400	
I-6, 3:1 Ratio/29.3 GPM – 300 PSI	814110
Bare Pump #814410	
I-6, 4:1 Ratio/21.3 GPM – 400 PSI	814120
Bare Pump #814420	
I-8, 5:1 Ratio/28.0 GPM – 500 PSI	814180
Bare Pump #814430	
I-8, 7:1 Ratio/20.1 GPM – 700 PSI	814190
Bare Pump #814440	

Typical Applications

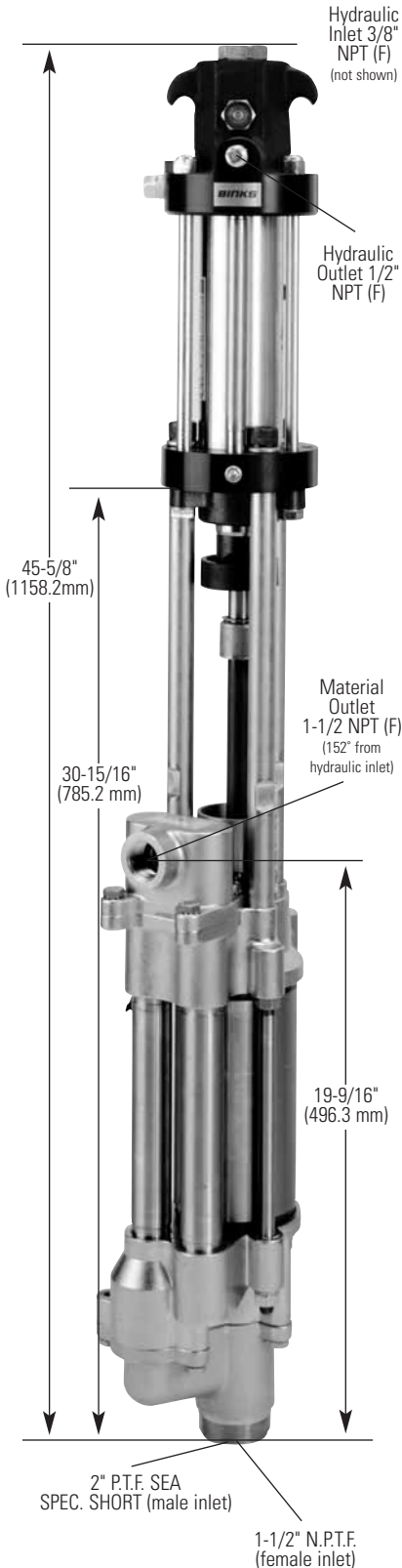
Used in conventional air, HVLP and air assist systems with light to medium viscosity coatings. These pumps can be used as a multi-gun supply pump in a circulating or a dead end system. Often used in larger, high production automated systems.



Infinity Four-Ball Hydraulic Pump

Pump #814450 – 200 PSI

814450 Hydraulic Four-Ball – Ratio 0.2:1 – 200 PSI



Hydraulic Inlet Pressure Range	50 - 1200 PSI (3.4 - 882.8 bar)
Fluid Pressure Range	10 - 278 PSI (.69 - 19.2 bar)
Required H-power @ 50 cpm	3.2 @ 1200 (82.8 bar)
Hydraulic flow req'd @ 50 cpm	4.9 gpm (32.9 lpm)
Max. Rec'd Cycles/Min.	50
Displacement cu. in. Per Cycle	103.6 (1697.6 cm ³)
Volume/Cycle	57.4 oz. (1697 ml)
Cycles Per Gallon (Liter)	2.23
Flow @ 50 Cycles/Min.	22.4 gpm (84.9 lpm)
Maximum Hyd. Temp Limit.	130° F (54° C)

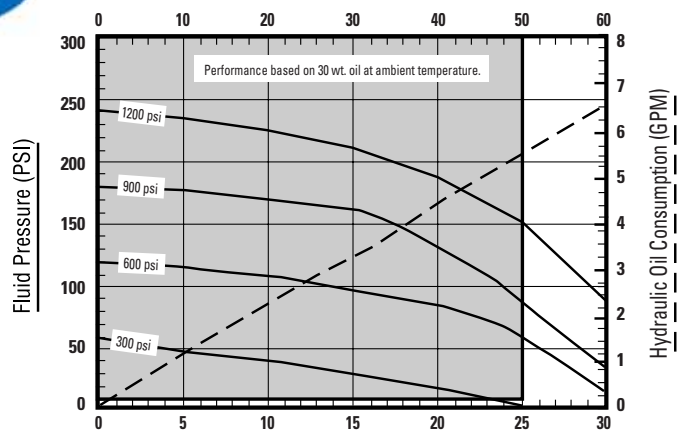
Lower Pump Material	316 SS Stns. Steel
Plunger Material	17-4 Stnls. Steel, UltraCoat™ Ceramic Coating
Cylinder Material	316 Stnls. Steel, UltraCoat™ Ceramic Coating
Hydraulic Motor	842008
Motor Repair Kit	861088
Motor Size	2.062 sq." (13.3 sq. cm)
Stroke	5.75" (14.6 cm)
Hydraulic Inlet	3/8"-18 NPT (F)
Hydraulic Return	1/2"-14 NPT (F)
Lower Pump End Series	871040
Lower Pump Repair Kit	861070
Material Inlet	1-1/2" NPT (F) (female) and 2" NPT (M) SAE Short (male)
Material Outlet	1" NPT (F) (female)
Weight	72 lbs (32.7 Kqs.)

Available Accessories

Wall Mount Bracket	873386
Mounting Post and Bracket	873385

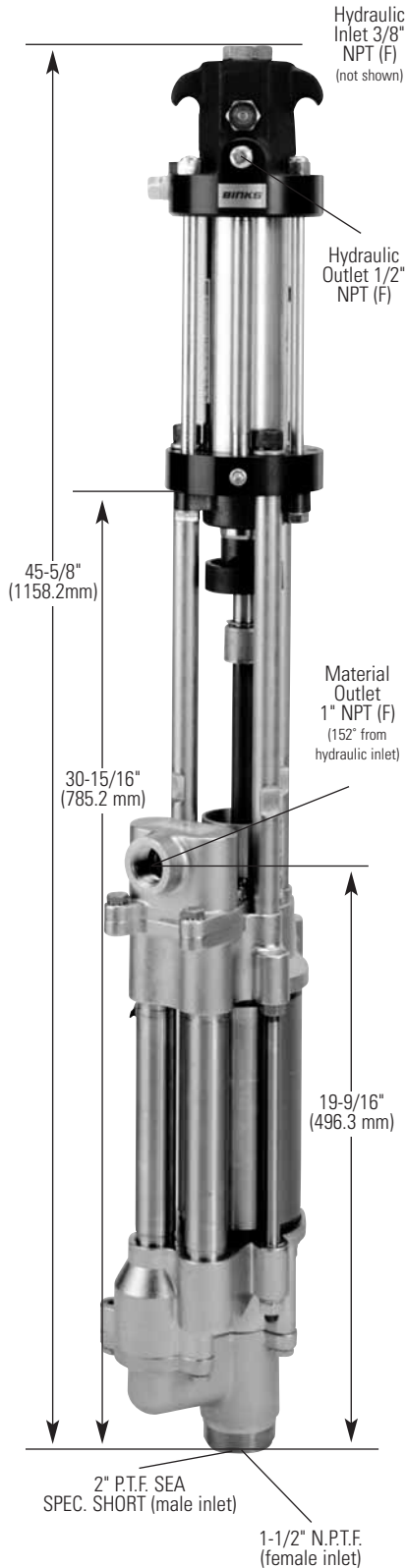


Hydraulic 0.2:1 Four-Ball Pump
Cycles Per Minute (CPM)



Infinity Four-Ball Hydraulic Pump

Pump #814460 – 300 PSI



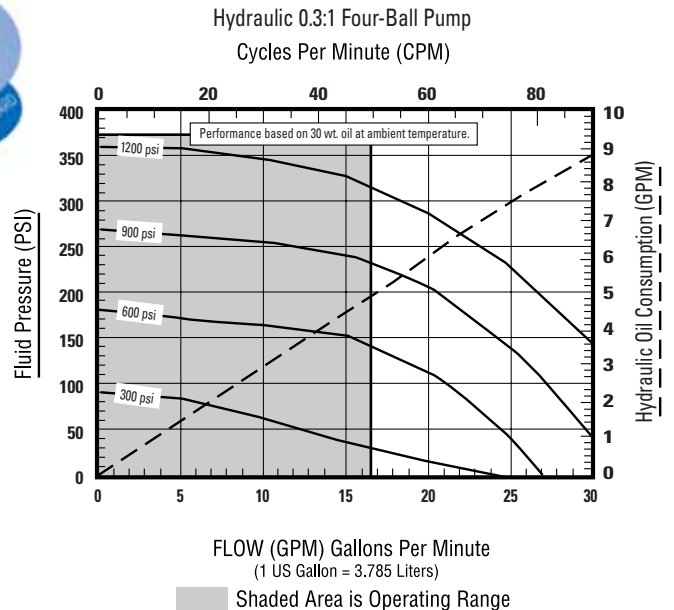
814460 Hydraulic Four-Ball – Ratio 0.3:1 – 300 PSI

Hydraulic Inlet Pressure Range	50 - 1200 PSI (3.4 - 882.8 bar)
Fluid Pressure Range	15 - 386 PSI (1.0 - 26.6 bar)
Required H-power @ 50 cpm	3.2 @ 1200 (82.8 bar)
Hydraulic flow req'd @ 50 cpm	4.9 gpm (32.9 lpm)
Max. Rec'd Cycles/Min.	50
Displacement cu. in. Per Cycle	43.6 (1288 cm ³)
Volume/Cycle	57.4 oz. (1697 ml)
Cycles Per Gallon (Liter)	2.9
Flow @ 50 Cycles/Min.	17.0 gpm (64.4 lpm)
Maximum Hyd. Temp Limit.	130° F (54° C)

Lower Pump Material	316 SS Stns. Steel
Plunger Material	17-4 Stnls. Steel, UltraCoat™ Ceramic Coating
Cylinder Material	316 Stnls. Steel, UltraCoat™ Ceramic Coating
Hydraulic Motor	842008
Motor Repair Kit	861088
Motor Size	2.062 sq." (13.3 sq. cm)
Stroke	5.75" (14.6 cm)
Hydraulic Inlet	3/8"-18 NPT (F)
Hydraulic Return	1/2"-14 NPT (F)
Lower Pump End Series	871030
Lower Pump Repair Kit	861060
Material Inlet	1-1/2" NPT (F) (female) and 2" NPT (M) SAE Short (male)
Material Outlet	1" NPT (F) (female)
Weight	70 lbs (31.8 Kqs.)

Available Accessories

Wall Mount Bracket	873386
Mounting Post and Bracket	873385



Pump Support Products

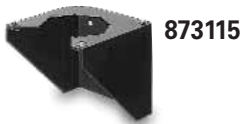
Wall Mounts

873184

Wall Mount Bracket Has 2" NPT (F) opening to accept bung type pumps. Bracket slips over rim of open head drum or can be wall mounted. Pump used with 2", "N" Series, and 4-1/4" air motor stub pumps fitted with bung adapters or 55-gallon bung type pumps.

873135

Wall Mount Bracket Used with 1-1/2" Diaphragm pumps.



873115

873115

Wall Mount Bracket Used with 4-1/4" air motor and 6" air motor. Infinity two-ball, four-ball and 1" diaphragm pumps.

873134

Wall Mount Bracket Used with 3:1 diaphragm pump.

873237

Wall Mount Bracket Used with 8" Air Motor.



873116

873116

Wall Mount Bracket Open front permits easy installation of pump. Can be bolted to wall at back or side of bracket. Used with all Infinity "N" Series, and 1/2" diaphragm pumps.

873386

Wall mount bracket for use with hydraulic motors (not shown)

Post Mounts



873185

873185

Mounting Post Floor stand mounting post with 4-1/4", 6" and 8" air motors Pump used with Infinity two-ball and four-ball pumps.

873385

Mounting Post for hydraulic pumps.

Portable Carts



873186

873186

Portable Cart Will clear 28" (711 mm) openings Unique "chair" design distributes pump weight. Pumps used with 4 1/4" and 6" Air motor - two-ball.

873238

Portable Cart Pump used with 8" air motor.



873187

873187

Fluid Inlet Adapter required with cart mounted Infinity Pumps (not for "N" Series pump). Adapter requires 1/4"-18 NPT plug.

Air Motor Mufflers



873191

873158

873190

Reduces air exhaust noise level to acceptable OSHA standards.

873191

Used with 2" air motor, 2:1 ratio pumps

Air Inlet NPT	3/8 (M)
Size, Inches (mm)	1-1/4 x 3-1/2 (32 x 89)

873158

Used with 4-1/4" and 6" air motor pumps

Air Inlet NPT	1-1/4 (M)
Size, Inches (mm)	3-1/2 x 11-3/16 (89 x 284)

873190

Used with 8" air motor pumps

Air Inlet NPT	1-1/4 (M)
Size, Inches (mm)	5-5/8 x 15-3/8 (143 x 391)

Wet Sol "Plus"



863009

Wet Sol Plus - One Quart Container. Designed to prolong packing life by keeping the piston rod and packings wetted. Also reduces the possibility of material hardening on the piston rod. Used with all pumps with wet cups.

Air System Components

Air Filter/Regulator



USED ON MOST PUMPS

849303

Filter/Regulator 5 micron filter, metal bowls

Filter/Regulator

Port Size NPT 1/2" (F)
Reg. Pressure Range PSI (bar) ... 5-125 (3-8.5 bar)
Max. Flow 140 SCFM (66 dm³/s)

Accessories



849306 Gauge



849310 Lubricator Connector Kit

Gauge 0-160 PSIG 849306
Glass Face
Service Kit, Relieving Type 849305
Regulator Wall Mount Kit 849308
Automatic Drain 849309
Filter Element (5 Micron) 873209
Lubricator Connector Kit 849310
One Spacer Kit is required to connect any filters/ regulator to lubricator.

Pump Protector



41-11150

Adjustable to 150 CFM, 20 - 125 PSIG

Air Line Lubricator



849304

Use air line lubricants only in high duty cycles that have proven the need for lubrication. Use Binks air line lubricant only with Binks pumps. Features an adjustment needle on top of the transparent sight dome.

Oil Capacity 6 oz.(177 ml)
Max. Inlet Pressure
Metal Bowl 175 PSIG (12 bar)
Operating Temperature Range
Metal Bowl 0 to 175° F (-18 to 79° C)
Max. Flow
1/2" 110 SCFM (52 dm³/s)

Air Line Lubricant



863020

One Quart Bottle A high quality "EP" extreme pressure gear oil, non-detergent, rust or oxidation inhibited, with a viscosity of 700-1000 S.U.S. at 100° F.

Safety Shutoff/Lockout Air Valve



(Lockout Hasp Not Included)
Mounts to air control or lubricator

849311

1/2" NPT Meets OSHA Lockout/Tagout regulation 1910.147. The safety shut-off valve should be installed upstream from the F-R-L unit.

Max. Inlet 175 PSIG (12 bar)
Max. Temperature 0° to 125° F (-18° to 52° C)
Lockout Hasp 849312

Binks Scrubs Hand Cleaner Towels



29-3100-K6 – Case of six buckets
72 towel count per bucket

Binks Scrubs are the pre-moistened, heavy duty hand cleaner towels in a convenient bucket. Scrubs powerful, safe, patented citrus-based formula works together with an absorbent, non-scratching abrasive hand cleaner towel for proven performance.

Fluid Regulators

HGB-508 Fluid Pressure Regulator Assembly



Low Pressure Fluid Regulator

MODEL PART NO.	MATERIAL (WETTED PARTS)	INLET/OUTLET PORTS	INLET PRESSURE MAX.	REG. OUTLET PRESSURE	MAX. REG. FLUID FLOW	PART SHEET
HGB-508*	Stainless Steel body PTFE and Nylon	3/8"	175 psi	5-75 psi	8 gal./min.	SB-6-371
84-409*	Stainless Steel body Stainless Steel	3/8"	200 psi	5-100 psi	1 gal./min.	1915
84-320*	Stainless Steel body Stainless Steel	3/8"	200 psi	5-55 psi	1 gal./min.	1486
845020	Stainless Steel Tungsten Carbide	1/4"	750 psi	0-30 psi	3 gal./min.	845020
84-410*	Stainless Steel body Stainless Steel	3/8"	100 psi	1-12 psi	12 oz./min.	1921

* includes gauge



HGS Fluid Regulators



HGS Stainless Steel fluid regulators handle the highest fluid input pressure in the industry – up to 300 psi. And they deliver the broadest range of regulated output fluid pressure, from 2 to 100 psi.

Gun Mounted Regulator Models

STANDARD FLOW MODELS PART NO.	CONTROL	FLUID INLET	FLUID OUTLET	PART SHEET
HGS-5112	Air Pilot	1/4" NPSM(M)	3/8" Swivel	SB-6-403
HGS-5113	Air Pilot	1/4" NPSM(M)	Standpipe	SB-6-403
HGS-5122	Air Pilot	3/8" NPSM(M)	3/8" Swivel	SB-6-403
HGS-5132	Air Pilot	1/8" NPT (F)	3/8" Swivel	SB-6-403
HGS-5133	Air Pilot	1/8" NPT (F)	Standpipe	SB-6-403
HGS-5211	Manual Adjust	1/4" NPSM(M)	Bayonett	SB-6-403
HGS-5212	Manual Adjust	1/4" NPSM(M)	3/8" Swivel	SB-6-403
HGS-5221	Manual Adjust	3/8" NPSM(M)	Bayonett	SB-6-403
HGS-5222	Manual Adjust	3/8" NPSM(M)	3/8" Swivel	SB-6-403
HGS-5231	Manual Adjust	1/8" NPT (F)	Bayonett	SB-6-403
HGS-5232	Manual Adjust	1/8" NPT (F)	3/8" Swivel	SB-6-403
HGS-5233	Manual Adjust	1/8" NPT (F)	Standpipe	SB-6-403
HGS-5239*	Manual Adjust	3/8" NPSM(F)	3/8" NPSM(M)	SB-6-403
HGS-5242	Manual Adjust	3/8" NPS(M)	3/8" Swivel	SB-6-403
HGS-5312	Tamper Resist	1/4" NPSM(M)	3/8" Swivel	SB-6-403
HGS-5313	Tamper Resist	1/4" NPSM(M)	Standpipe	SB-6-403
HGS-5321	Tamper Resist	3/8" NPSM(M)	Bayonett	SB-6-403

*Manual, non-circulating, single gun fluid regulator, primarily used in conjunction with fluid pumps or dead end systems. Install at pump or tank, not gun. HGS-5242 can be mounted on the gun.

†Stems not included, purchase separately.

Fluid Regulators



High Pressure
845010
845011
(without Gauge)



84-420
84-421
84-520
84-521

Low Pressure
845001
(with Gauge)



845000
845002
(with Gauge)

84-404
(without Gauge)



Optional Gauges
873055
Rear Mount (3000 PSI)
101-3069 (3000 PSI)
84-491 (1000 PSI)
84-246 (200 PSI)

Downstream Medium Flow

MODEL NUMBER	BODY, BALL AND SEAT (SEE CODE AT BOTTOM)	REGULATED PRESSURE RANGE PSI (BAR)	GAUGE	MAXIMUM INLET PRESSURE PSI (BAR)	PART SHEET
1/4" ports, medium pressure to 1 GPM (3.785 liters)					
84-420	SS, TC	300-2000	No Gauge	3000	1908
84-520	SS, TC	100-900	No Gauge	3500	1908
3/8" ports, medium pressure to 3 GPM (11.4 liters)					
845010	SS, TC	400-1250 (27.2-83)	No Gauge	3000 (204)	84501X
845011	SS, TC	1000-3000 (59-207)	No Gauge	6000 (408)	84501X
845014	CS, TC	400-1250 (27.2-83)	No Gauge	3000 (204)	84501X
845004 (3 GPM)	SS, TC	20-60 (1.4-4.1)	60 PSI	750 (51.7)	84500X

Downstream High Flow

MODEL NUMBER	BODY/ BALL AND SEAT (SEE CODE AT BOTTOM)	REGULATED PRESSURE RANGE PSI (BAR)	GAUGE	MAXIMUM INLET PRESSURE PSI (BAR)	PART SHEET
3/8" ports, high pressure to 6 GPM (22.7 liters)					
845001* (6 GPM)	SS, TC	100-800 (7-55)	1000 PSI	1250 (85)	84500X
845013	SS, TC	2000-5000	No Gauge	6000	84501X

* includes gauge

Back Pressure Models

MODEL NUMBER	BODY/ BALL AND SEAT (SEE CODE AT BOTTOM)	REGULATED PRESSURE RANGE PSI (BAR)	GAUGE	MAXIMUM INLET PRESSURE PSI (BAR)	PART SHEET
1/4" ports, medium pressure regulator, flow to 1 GPM (3.78 liters)					
84-421	SS,TC	300-2000	No Gauge	3500	1909
84-521	SS,TC	100-900	No Gauge	3500	1909
3/8" ports, high-flow to 6 GPM (22.7 liters)					
845000*	SS, TC	0-200 (0-14)	300 PSI	200 (14)	84500X
845002*	SS, TC	0-800 (0-14)	1000 PSI	800 (55)	84500X
845012	SS, TC	100-3000	No Gauge	3000	84501X
1/2" port, low shear to 1 GPM (3.78 liters)					
84-601*	SS, SS	0-200 (0-14)	200 (14)	200 (14)	2629
3/4" ports, high-flow to 11 GPM (41.6 liters)					
84-404	SS, SS	10-140	200 PSI	150	1889
Optional Gauge: 84-246 – 0 - 200 PSI					
1-1/4" ports, system-flow** to 18.5 GPM (701 liters)					
845003	SS, TC	0-200 (0-14)	300 PSI	200 (14)	84500X

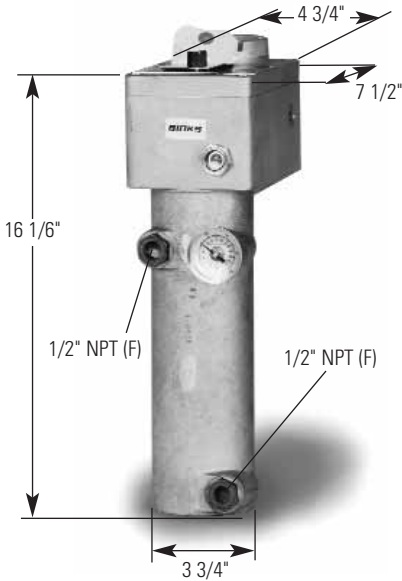
Material Codes

TC – Tungsten Carbide SS – Stainless Steel

* includes gauge

** Flow rates tested in 55 CPS Material.

Fluid Conditioning



Fluid Heaters & Accessories

High Pressure, lightweight (18 lbs.), compact and explosion-proof construction. Working capacity to 5000 PSI and with adjustable thermostatic control from 60° to 250°F. The typical temperature rise with a flow of 32 fl. oz./min. while maintaining a temperature of 100% above ambient. (CSA listed, CE approved)

830000

Fluid Heater 2000 watts
Wetted Stainless Steel
Max Working PSI 5000 (340 bars)
Voltage 120 (16.6 AMPS)

830001

Fluid Heater 2000 watts
Wetted Stainless Steel
Max Working PSI 5000 (340 bars)
Voltage 240 (8.33 AMPS)

830002

Fluid Heater 2000 watts
Wetted Stainless Steel
Max Working PSI 5000 (340 bars)
Voltage 440 (4.5 AMPS)

(Includes mounting bracket – all models)

Materials Filters, Screens & Inlet Fluid Filters

PART NUMBER	DESCRIPTION	PORT INLET	PORT OUTLET	MESH	MICRONS (INCH)	MATERIAL	WORKING PSI
Materials Filters – Standard Models							
841001	Material Filter	1/2" NPTF (2 inlets)	1/2" PTF SAE SPEC	70	—	carbon steel	6000
841002	Material Filter	1/2" NPTF (2 inlets)	1/2" PTF SAE SPEC	100	—	carbon steel	6000
841005	Material Filter	1/2" NPTF (2 inlets)	1/2" PTF SAE SPEC	70	—	stainless	6000
841006	High Pressure Fluid filter	1/2" NPT	1/2" NPT	100	149 (.004)	stainless	6000
841010 ■	Filter/Pulse Assembly	3/8" NPT (F)	3/8" NPT (F)	40	—	nylon and ss	150
103-1241	High pressure filter	3/8" NPS (F)	1/4" NPS (M)	100	280 (.012)	stainless	4000
Outlet Adapter to mount 841006							
873188	For mounting material filter	1" NPT (M)	1/2" NPT (M)	30x40	500 (.023)	—	—
Replacement Elements							
873146	Replacement Fluid filter for 841005, 841001			70	200 (.008)	stainless	
873147	Replacement Fluid filter for 841006, 841002			100	149 (.004)	stainless	
83-2089	Replacement Fluid filter for 103-1241			50	280	stainless	
83-1256	Replacement Fluid filter for 103-1241			100	149 (.004)	stainless	
Gun Mounted – Material Filter Screens							
VS-534	Filter Assembly	3/8" NPS (F) SW	3/8" NPS (M)	100	149 (.004)	stainless	300
PLH-MF-6-100	Final Filter	3/8" NPS (M)	3/8" NPS (F)	100	149 (.004)	stainless	250
41-1415	In line high pressure filter	1/4" NPS SWI	1-1/4" NPS (M)	50	280 (.012)	stainless	
Inlet Fluid filter – On Inlet Of Pickup Tube							
873117	For siphon hose 874504	1/2" NPT (F)		30	500 (.021)	stainless	
873192	For siphon hose 874500 and 874501	3/4" NPT (F)		30	500 (.021)	stainless	

■ Standard filter element – 135-78, optional SS 80 mesh filter element – 135-77, standard EPDM gasket – 135-79, optional Viton gasket – 135-136

103-1241
(100 Mesh)



841001,
841002,
841005,
841006
(100 Mesh)



873146
(70 Mesh)
873147
(100 Mesh)



873192
873117



873188



841010



Drum Agitators and Covers

Agitators



31-129

31-129

Direct drive agitator (with cover)

Container Size 55 Gallon

Motor Specifications Includes:

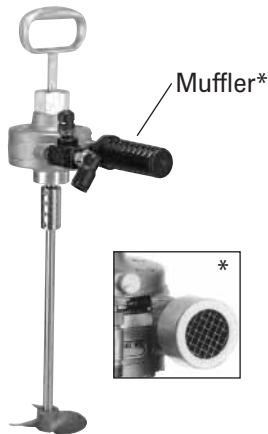
Air Motor Model..... Direct
H.P. 3/4
CFM 10-14

Shaft Specifications

Mount Flange
Diameter in. (mm) 1/2 (12/7)
Speed 300 to 3000

Propeller Specifications

Number of Props 2
Diameter in. 4 1/2"
Material Stainless Steel



Muffler*

843000

5 Gallon Agitation Mounts (Order Separately) to 874502 Drum Cover

*83-1527 Muffler Replacement (metal)

843000 (cont.)

Motor Specifications

Air Motor Model QMS-428
H.P. 3/4
Motor R.P.M. 300-3000

Shaft Specifications

Mount Hub
Diameter in. (mm) 1/2 (12/7)
Length in. (mm) 12 (305)
Material 316SS

Propeller Specifications

Number of Props 1
Diameter in. (mm) 4 (102)
Material 316SS
Direction CCW

843001

55 Gallon Agitator (not shown)

Motor Specifications

Air Motor Model QMS-428
H.P. 3/4
Motor R.P.M. 300-3000

Shaft Specifications

Mount Hub
Diameter in. (mm) 1/2 (12/7)
Length in. (mm) 32 (813)
Material 316SS

Propeller Specifications

Number of Props 2
Diameter in. (mm) 4 (102)
Material 316SS
Direction CCW



31-131

31-131

Gear reduced drive agitator (with cover)

Container Size 55 Gallon

31-131 (cont.)

Motor Specifications Includes:

Air Motor Model..... Gear
H.P. 1/2
CFM 10-14

Shaft Specifications

Mount Flange
Diameter in. (mm) 1/2 (12/7)
Speed 30 - 40

Propeller Specifications

Number of Props 2
Diameter in. 14 1/2"
Material Stainless Steel



QS-5003

Paint Drum Agitator Drive

Use with paint drums having built-in agitators.

Motor Specifications

Air Motor Model QMS-428
H.P. 3/4
Motor R.P.M. 300-3000

Drum Covers



874502

5 Gallon Stainless Steel Drum Cover. Opening accepts optional Siphon Tube/Hose and Agitator.

874503

5 Gallon Stainless Steel Drum Cover for use with 1/2" diaphragm pump.

874506

55 Gallon Stainless Steel Drum Cover for use with 1/2" diaphragm pumps and bung mounted piston pumps such as 812490.

Siphon Hose and Ball Valves

Siphon Kits



Hose length 5 ft.

PART NUMBER	HOSE	TUBE	FITTINGS	5 GAL.	55 GAL.
874500	1"	3/4" SS	3/4" SS	X	
874501	1"	3/4" SS	3/4" SS		X
874504	1/2"	SS	SS	X	
874580	1/2"	SS	SS		X

Stainless Steel Bunghole Adapter Kits



41-15899*
Bunghole adapter for 1/2" pipe

41-15898*
Bunghole adapter for 3/4" pipe

41-15895*
Bunghole adapter for 1" pipe

*All Hardware Included

Ball Valves

PART NO.	SIZE	PRESSURE (PSI)	THREAD
72-83030	3/8"	250	1/4" (m) x 1/4" (m) [^]
72-84040	3/8"	250	3/8" (m) x 3/8" (m) [^]
72-13030	3/8"	4000	1/4" (m) x 1/4" (m) [^]
72-14040	3/8"	4000	3/8" (m) x 3/8" (m) [^]
172-33535*	3/8"	4000	1/4" (m) x 1/4" (m) [^]
172-34545*	3/8"	4000	3/8" (m) x 3/8" (m) [^]

* Stainless Steel

[^] Universal Male Thread (accepts either NPS (F) or NPT (F))

Surge Chambers and Lifts

Surge Chamber



844000

Reduce unwanted material foaming, pulsation, splashing and hydraulic shock.

- Up to 97% pulsation reduction
- Works with any 100 PSI pump

Body	Conductive acetal
Bladder Material	PTFE
Max. Pressure	100 PSI

Ground Wire Kit



873067

25 feet of 12 gauge heavy-duty sheathed wire and wire end attachments.

For use with all pumps.

Surge Chamber Accessory



873193

Mounting Pedestal – One mounting pedestal comes standard with the Shock Blocker. An extra 873193 is required for plumbing the Shock Blocker to 1-inch NPT (and larger) pipe.

Elevator



41-9000

Single Post Elevator use with 55-gallon cover mounted pump units

Binks Air & Fluid Hose

Precision engineered for maximum performance and durability, Binks air and fluid hose is your best choice for assuring that your equipment receives air and fluids at the specified pressures and volume levels.

- Air and fluid hose for a wide variety of applications.
- Static wire hose for uses requiring application grounding.
- Fluid hose for resinous materials with or without catalysts.

Performance Benefits

- Better Tolerances
- Maximum Flexibility
- Oil Resistance
- Abrasion Resistance
- Kink Resistance
- Value-priced



Premium Spray Finishing Air Hose

Designed for all finishing operations as well as rugged industrial applications, especially applications requiring lubricants in the airline supply or where oil and grease are present in the environment. Excellent for use with water and water-based materials. Temperature range from -40°F to +200° F (max.).

Tube

EPDM Class B oil resistance.

Cover

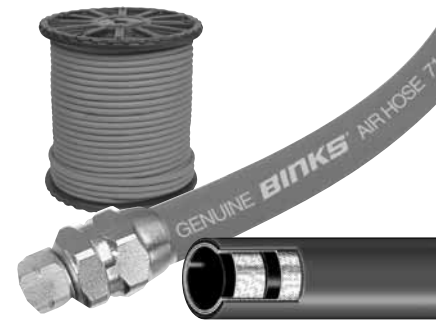
EPDM, red, smooth. Abrasion resistant. Oil Resistance.

Connections

Three-piece, plated brass, reusable.

Hose Assemblies and Connections

SIZES I.D.	LENGTH OF HOSE	HOSE ASSEMBLY PART NO.	CONNECTION THREAD SIZE
1/4"	5 ft.	71-1101	1/4" NPS (F)
1/4"	25 ft.	71-1105	1/4" NPS (F)
1/4"	50 ft.	71-1106	1/4" NPS (F)
5/16"	5 ft.	71-1201	1/4" NPS (F)
5/16"	25 ft.	71-1205	1/4" NPS (F)
5/16"	50 ft.	71-1206	1/4" NPS (F)
3/8"	25 ft.	71-1355	1/4" NPS (F)
3/8"	50 ft.	71-1356	1/4" NPS (F)



Bulk Hose Chart Smooth Cover

SIZES AVAILABLE I.D.	O.D.	BULK HOSE NUMBER	MAXIMUM WORKING PRESSURE (PSI)
1/4"	1/2"	71-10000	250
5/16"	5/8"	71-11000	250
3/8"	11/16"	71-12000	250
1/2"	7/8"	71-13000	250
3/4"	1 1/8"	71-14000	250

Lightweight ErgoFlex™ Hose

Binks ErgoFlex™ HVLP Hose is suitable for use with all kinds of air-operated equipment, including those requiring lubricant in the air line, or in environments where oil and grease are present.

Tube

Black EPDM Class B – Oil Resistance.

Cover

Tan EPDM, smooth, Class C – Oil resistance.

Connection

One-piece, plated brass, reusable. (P-HC-4854)



Bulk Hose Chart Smooth Cover

SIZES AVAILABLE		BULK HOSE	MAXIMUM WORKING
I.D.	O.D.	Number	PRESSURE (PSI)
3/8"	.646"	71-31000	125

Fluidall™ Fluid Hose

Premium, versatile fluid hose, for finishing operations plus a wide range of fluid applications. Fluidall™ is ideal for resins and solvents contained in latices, epoxies, urethanes, alkyds, primers, acrylics, polyesters, silicones, bitumastic coatings, oil and water based paints, lacquers, alcohol and latex coatings. Temperature range from 0° F to +190°F (max.).

Hose Assemblies and Connections

SIZES I.D.	LENGTH OF HOSE	HOSE ASSEMBLY PART. NO.	CONNECTION THREAD SIZE
1/4"	5 ft.	71-3380	3/8" NPS (F)
1/4"	25 ft.	71-3383	3/8" NPS (F)
1/4"	35 ft.	71-3390	3/8" NPS (F)
1/4"	50 ft.	71-3384	3/8" NPS (F)
3/8"	5 ft.	71-3300	3/8" NPS (F)
3/8"	25 ft.	71-3303	3/8" NPS (F)
3/8"	50 ft.	71-3304	3/8" NPS (F)
1/2"	5 ft.	71-3400	1/2" NPS (F)
1/2"	25 ft.	71-3403	1/2" NPS (F)
1/2"	50 ft.	71-3404	1/2" NPS (F)



Tube

Nylon.

Cover

Neoprene, Black, smooth, abrasion resistance. Class A – Oil Resistance.

Connections

Three-piece, plated brass, reusable.

Bulk Hose Chart Smooth Cover

SIZES AVAILABLE		BULK HOSE	MAXIMUM WORKING
I.D.	O.D.	NUMBER	PRESSURE (PSI)
1/4"	1/2"	71-280	500
3/8"	11/16"	71-282	500
1/2"	7/8"	71-283	750
3/4"	1 3/16"	71-284	750
1"	1 1/2"	71-285	750

Specialized Hose Assemblies

Air Hose Grounded with Static Wire

Designed for all finishing operations as well as rugged industrial applications. Static wire between tube and cover prevents build-up of static electricity. Commonly used with atomizing spray guns, electrostatic spray guns and equipment that requires grounding for safety purposes. Temperature range from -40° F to +200° F.

Tube

EPDM. Class B – Oil Resistance.

Cover

EPDM red, smooth, abrasion resistance. – Oil Resistant.

Connections

Three-piece, plated brass, reusable should be used.

Hose Assembly and Connection

SIZE I.D.	LENGTH OF HOSE	HOSE ASSEMBLY PART NO.	CONNECTION THREAD SIZE
5/16"	35 ft.	71-2810	1/4" NPS (F)



Bulk Hose Chart Smooth Cover

I.D.	SIZE AVAILABLE O.D.	BULK HOSE NUMBER	MAXIMUM WORKING PRESSURE (PSI)
5/16"	.618"	71-20000	250
3/8"	.701"	71-21000	250

Specialized Fluidall™ Hose Assemblies

Assembled Fluid Hose – Nylon Lined with Stainless Steel Connections

Fluidall™ fluid hose, for finishing operations plus a wide range of fluid applications. Temperature range -0°F to +190°F. Check recommended use for the stainless steel hose connections used on Fluidall™ hose assemblies to prevent corrosion-contamination, an inherent problem with waterborne coatings.

Tube

Nylon.

Cover

Black, synthetic, smooth, rubber. Class B – Oil Resistance.

Connections

Three-piece, stainless steel, reusable.

Hose Assemblies and Connections

SIZES I.D.	LENGTH OF HOSE	HOSE ASSEMBLY PART NO.	CONNECTION THREAD SIZE
1/4"	15 ft.	71-3662	3/8" NPS (F)SS
1/4"	25 ft.	71-3663	3/8" NPS (F)SS
3/8"	15 ft.	71-3682	3/8" NPS (F)SS
3/8"	25 ft.	71-3683	3/8" NPS (F)SS



Specialized Hose Assemblies

Premium Airless Paint Spray Hose Conductive – No Wire

High pressure paint spray applications, including electrical airless. Compatible with a wide range of materials, solvents and water based coatings. Designed for the most durable and extended service. Temperature range -40°F to +180°F.

Tube

Nylon – this no-wire hose incorporates a nylon core tube with a conductive polymer surrounding it. Electrical conductivity will remain throughout the hose life.

Cover

Polyurethane, white or yellow depending on hose I.D.

Connections

Permanently attached, plated steel with spring guards.

Hose Assemblies and Connections

SIZES I.D.	LENGTH OF HOSE	ASSEMBLY PART NO.	HOSE CONNECTION THREAD SIZE
3/16"	30 in. whip end	71-8360*	1/4" NPS (F)
3/16"	5 ft.	71-8085	1/4" NPS (F)
3/16"	10 ft.	71-8086	1/4" NPS (F)
3/16"	15 ft.	71-8087	1/4" NPS (F)
3/16"	25 ft.	71-8088	1/4" NPS (F)
3/16"	50 ft.	71-8089	1/4" NPS (F)
1/4"	5 ft.	71-7708	1/4" NPS (F)
1/4"	10 ft.	71-7709	1/4" NPS (F)
1/4"	15 ft.	71-7703	1/4" NPS (F)
1/4"	25 ft.	71-7704	1/4" NPS (F)
1/4"	50 ft.	71-7705	1/4" NPS (F)
1/4"	75 ft.	71-7713	1/4" NPS (F)
1/4"	100 ft.	71-7714	1/4" NPS (F)
5/16"	10 ft.	71-7502	1/4" NPS (F)
5/16"	25 ft.	71-7504	1/4" NPS (F)
5/16"	50 ft.	71-7505	1/4" NPS (F)
5/16"	75 ft.	71-7506	1/4" NPS (F)
3/8"	5 ft.	71-8421	3/8" NPS (F)
3/8"	10 ft.	71-8422	3/8" NPS (F)
3/8"	15 ft.	71-8423	3/8" NPS (F)
3/8"	25 ft.	71-8424	3/8" NPS (F)
3/8"	50 ft.	71-8425	3/8" NPS (F)
3/8"	75 ft.	71-8426	3/8" NPS (F)
3/8"	100 ft.	71-8427	3/8" NPS (F)

* Connection Thread = 1/4" NPS (F) x 1/4" NPT (M) w/30 deg. seat. • Bulk hose not available – assemblies only.



Specifications

I.D.	O.D.	RATED W.P.
∅3/16"	.425"	3000 PSI
∅1/4"	.520"	3000 PSI
•5/16"	.588"	3000 PSI
•3/8"	.730"	3000 PSI

• White Jacket Color. ∅ Yellow Jacket Color.

Specialized Hose Assemblies

Contractor Quality Airless Paint Spray Hose Conductive – No Wire

Designed specifically for commercial and industrial painting contractors and heavy work load applications. Excellent flexibility and durability. For use with both solvent and water-based coatings.

Tube

Nylon.

Reinforcement and Cover

Consists of a seamless extruded synthetic braid reinforcement and a pin-pricked polyurethane cover. A static drain element consisting of flexible electrically conductive plastic tape is located between the braid layers. Cover-black. Operating temperature from 0°F to +200°F.

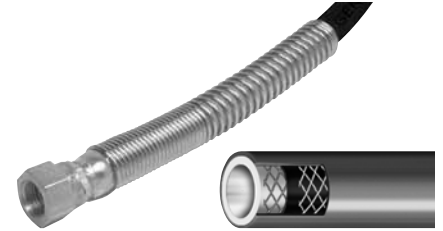
Connections

Permanently attached, plated steel with spring guards.

Hose Assemblies and Connections

SIZES I.D.	LENGTH OF HOSE	HOSE ASSEMBLY PART NO.	CONNECTION THREAD SIZE
1/4"	25 ft.	71-3530	1/4" NPS (F)
1/4"	50 ft.	71-3531	1/4" NPS (F)

Working pressure 3,300 PSI.



Medium Pressure Paint Spray Hose Conductive – No Wire

For Raptor 18:1 outfit and other air assist airless applications where working pressures do not exceed 1740 psi.

Tube

Nylon.

Connections

1/4" Permanently attached, stainless steel with spring guards.

Construction

Nylon tube reinforced with braided polyester yarn. Conductivity is by means of a conductive polymer strip. Resistant to most chemicals, paints and solvents. The blue outer cover is polyurethane and provides excellent abrasion resistance. Operating temperature from -40° F -212° F.

Hose Assemblies and Connections

I.D.	O.D.	LENGTH OF HOSE	HOSE ASSEMBLY PART NO.	THREAD SIZE
3/16"	.380"	25'	71-4995	1/4" SS



Reusable Connections

Air & Fluid Hose Connections

I.D.	HOSE SIZE O.D.	FOR BULK HOSE NO.	CONNECTIONS		TYPE
			THREAD	PART NO.	
1/4"	1/2"	71-10000 71-280	1/4" NPS (F)	72-1303	A
			3/8" NPS (F)	72-1306	A
			3/8" NPS (F)SS	72-2143*	A
5/16"	5/8"	71-11000 71-20000	1/4" NPS (F)	72-1317	A
			1/4" NPT (M)	72-1478	B
			3/8" NPS (F)	72-1320	A
3/8"	11/16"	71-12000 71-282	1/4" NPS (F)	72-1325	A
			3/8" NPS (F)	72-1328	A
			3/8" NPS (F)SS	72-2146*	A
1/2"	7/8"	71-13000 72-283	3/8" NPS (F)	72-1333	A
			1/2" NPS (F)	72-1334	A
			1/2" NPS (F)	72-954†	C
3/4"	1-3/16"	71-14000 71-284	3/4" NPS (F)	72-1336†	C
			3/4" NPS (F)	72-417†	C
			3/4" NPS (F)	72-955†*	C
1"	1-1/2"	71-285	1" NPS (F)	72-418†	C
			1" NPS (F)	72-956†*	C

† Punch-Lok connection.
* Stainless Steel tailpiece.

Types



Type A. Plated Brass



Type B. Plated Brass



Type C. Plated Brass

System Solutions

When it comes to complete systems Binks leads the way with high transfer-efficient spray guns, reliable fluid handling equipment, efficient air purifying systems and quality accessories.

The Binks Mach spray gun series has set the industry standard for reliable low, medium and high-pressure HVLV spray finishing, offering the most complete line in the industry. Models 95 and 2001 spray guns remain the most popular conventional spray guns and feature our famous "60" series nozzles, capable of atomizing the full range of today's coatings.

Today, Binks has redefined its place in the finishing industry with quality products and responsive customer service. Whether it's furniture, aerospace, electronics, appliances or automotive finishing, Binks experts are waiting to match your needs with its products.

At Binks, we are a renewed company with a proud tradition.



■ Spray Guns

- Manual and automatic conventional air spray and HVLV
- Manual and automatic airless and air-assisted airless
- Mastic and extrusion guns
- Plural component
- Anodized forged aluminum gun bodies
- Waterborne compatible, stainless steel passages
- Gravity feed, suction feed and pressure feed

■ Cups and Tanks

- Siphon cups, pressure cups
- Aluminum, stainless steel, agitated
- 2 qt. pressure cup
- 2 and 5-gal. pressure tanks

■ Pumps

- Diaphragm and piston
- Low, medium, and high pressure
- Variety of mounting accessories

■ Hose

- Fluid and air hose
- Ball and air-adjusting valves
- Quick disconnects, fittings, and connections

■ Additional Accessories

- Thread adapters
- Fluid nozzles, air caps, needle selections, extensions
- Educational tools and reference literature
- Replacement kits, test kits, regulators
- Respirators
- Spray booth filters

**Sales and Service
Through a Nationwide Network of Industrial Distributors**



North American Office

ITW Industrial Finishing
Binks
195 Internationale Blvd.
Glendale Heights, IL 60139
630-237-5000
Fax 630-237-5003
www.binks.com
Customer Service
1-800-992-4657
Technical Support
1-888-992-4657

