



Advanced Performance. Total Reliability.

**Owner's Manual
Notice d'utilisation
Manual del Propietario**

**Do not use this equipment
before reading this manual!**

SPEEFLO PowrLiner 1800M / 2800M



Model Number:

1800M Complete 759-191

2800M Complete 759-0291

NOTE: This manual contains important warnings and instructions. Please read and retain for reference.



Important Safety Information • Read all safety information before operating the equipment. SAVE THESE INSTRUCTIONS.



This symbol indicates a hazardous situation, which, if not avoided could result in death or serious injury.



To reduce the risks of fire or explosion, electrical shock, and the injury to persons, read and understand all instructions included in this manual. Be familiar with the controls and the proper usage of the equipment.



WARNING – To reduce the risk of fire or explosion:



1. Do not spray flammable or combustible materials near an open flame, pilot lights or sources of ignition such as hot objects, cigarettes, motors, electrical equipment and electrical appliances. Avoid creating sparks from connecting and disconnecting power cords.
2. For units intended for use with only water-based materials — Do not spray or clean with flammable liquids. For use with water-based liquids only.
3. For units intended for use with only water-based or mineral spirit-type materials with a minimum flash point of 21°C (69.8°F) — Do not spray or clean with liquids having a flash point of less than 21°C (69.8°F). Flash point is the temperature at which a fluid can produce enough vapor to ignite.
4. Paint or solvent flowing through the equipment is able to result in static electricity. Static electricity creates a risk of fire or explosion in the presence of paint or solvent fumes. All parts of the spray system, including the pump, hose assembly, spray gun and objects in and around the spray area shall be properly grounded to protect against static discharge and sparks. Use only conductive or grounded high-pressure airless paint sprayer hoses specified by the manufacturer.
5. Verify that all containers and collection systems are grounded to prevent static discharge.
6. Connect to a grounded outlet and use grounded extension cords (electric models only). Do not use a 3 to 2 adapter.
7. Do not use a paint or solvent containing halogenated hydrocarbons. Such as chlorine, bleach mildewcide, methylene chloride and trichloroethane. They are not compatible with aluminum. Contact the coating supplier about compatibility of material with aluminum.
8. Keep spray area well ventilated. Keep a good supply of fresh air moving through the area to keep the air within the spray area free from accumulation of flammable vapors. Keep pump assembly in well ventilated area. Do not spray pump assembly.
9. Do not smoke in the spray area.
10. Do not operate light switches, engines, or similar spark producing products in the spray area.
11. Keep area clean and free of paint or solvent containers, rags, and other flammable materials.
12. Know the contents of the paint and solvents being sprayed. Read all Material Safety Data Sheets (MSDS) and container labels provided with the paints and solvents. Follow the paint and solvent manufacture's safety instructions.
13. Place pump at least 25 feet (7.62 meters) from the spray object in a well ventilated area (add more hose if necessary). Flammable vapors are often heavier than air. Floor area must be extremely well ventilated. The pump contains arcing parts that emit sparks and can ignite vapors.

14. Plastic can cause static sparks. Never hang plastic to enclose spray area. Do not use plastic drop cloths when spraying flammable material.
15. Fire extinguisher equipment shall be present and working.



WARNING – To reduce the risk of skin injection:



HAZARD:

Injection injury – A high pressure fluid stream produced by this equipment can pierce the skin and underlying tissues, leading to a serious injury and possible amputation. See a physician immediately. DO NOT TREAT AN INJECTION AS A SIMPLE CUT.

1. Do not aim the gun at, or spray any person or animal.
2. Keep hands and other body parts away from the discharge. For example, do not try to stop leaks with any part of the body.
3. Always use the nozzle tip guard. Do not spray without the nozzle tip guard in place.
4. Only use a nozzle tip specified by the manufacturer.
5. Use caution when cleaning and changing nozzle tips. In the case where the nozzle tip clogs while spraying, ALWAYS lock gun trigger, shut pump off, and release all pressure before servicing, cleaning tip or guard, or changing tip. Pressure will not be released by turning off the motor. The PRIME/SPRAY valve or pressure bleed valve must be turned to their appropriate positions to relieve system pressure. Refer to PRESSURE RELIEF PROCEDURE described in the pump manual.
6. Do not leave the unit energized or under pressure while unattended. When the unit is not in use, turn off the unit and relieve the pressure in accordance with the manufacturer's instructions.
7. High-pressure spray is able to inject toxins into the body and cause serious bodily injury. In the event that injection occurs, seek medical attention immediately.
8. Check hoses and parts for signs of damage, a leak can inject material into the skin. Inspect hose before each use. Replace any damaged hoses or parts.
9. This system is capable of producing 3300 PSI / 22.8 MPa. Only use replacement parts or accessories that are specified by the manufacturer and that are rated a minimum of 3300 PSI. This includes spray tips, nozzle guards, guns, extensions, fittings, and hose.
10. Always engage the trigger lock when not spraying. Verify the trigger lock is functioning properly.
11. Verify that all connections are secure before operating the unit.
12. Know how to stop the unit and bleed pressure quickly. Be thoroughly familiar with the controls. Pressure will not be released by turning off the motor. The PRIME/SPRAY valve or pressure bleed valve must be turned to their appropriate positions to relieve system pressure. Refer to PRESSURE RELIEF PROCEDURE described in the pump manual.
13. Always remove the spray tip before flushing or cleaning the system.



Important Safety Information • Read all safety information before operating the equipment. SAVE THESE INSTRUCTIONS.



WARNING – To reduce the risk of injury:

1. Always wear appropriate gloves, eye protection, clothing and a respirator or mask when painting. Hazardous vapors – Paints, solvents, insecticides, and other materials can be harmful if inhaled or come in contact with body. Vapors can cause severe nausea, fainting or poisoning.
2. Do not operate or spray near children. Keep children away from equipment at all times.
3. Do not overreach or stand on an unstable support. Keep effective footing and balance at all times.
4. Stay alert and watch what you are doing.
5. Do not operate the unit when fatigued or under the influence of drugs or alcohol.
6. Do not kink or over-bend the hose. Airless hose can develop leaks from wear, kinking and abuse. A leak can inject material into the skin.
7. Do not expose the hose to temperatures or pressures in excess of those specified by manufacturer.
8. Do not use the hose as a strength member to pull or lift the equipment.
9. Use lowest possible pressure to flush equipment.
10. Follow all appropriate local, state and national codes governing ventilation, fire prevention and operation.
11. The United States Government Safety Standards have been adopted under the Occupational Safety and Health Act (OSHA). These standards, particularly part 1910 of the General Standards and part 1926 of the Construction Standards should be consulted.
12. Before each use, check all hoses for cuts, leaks, abrasion or bulging of cover. Check for damage or movement of couplings. Immediately replace hose if any of those conditions exist. Never repair a paint hose. Replace with a conductive high-pressure hose.
13. Do not spray outdoors on windy days.
14. Always unplug cord from outlet before working on equipment (electric models only).

IMPORTANT: Do not lift cart handle when loading or unloading.

Gasoline Engine Safety



The engine exhaust from this unit contains chemicals known to the State of California to cause cancer, birth defects, or other reproductive harm.

1. Gas engines are designed to give safe and dependable service if operated according to instructions. Read and understand the engine Owner's Manual before operating the engine. Failure to do so could result in personal injury or equipment damage.
2. To prevent fire hazards and to provide adequate ventilation, keep the engine at least 1 meter (3 feet) away from buildings and other equipment during operation. Do not place flammable objects close to the engine.
3. Children and pets must be kept away from the area of operation due to a possibility of burns from hot engine components or injury from any equipment the engine may be used to operate.
4. Know how to stop the engine quickly, and understand the operation of all controls. Never permit anyone to operate the engine without proper instructions.
5. Gasoline is extremely flammable and is explosive under certain conditions.
6. Refuel in a well-ventilated area with the engine stopped. Do not smoke or allow flames or sparks in the refueling area or where gasoline is stored.
7. Do not overfill the fuel tank. After refueling, make sure the tank cap is closed properly and securely.
8. Be careful not to spill fuel when refueling. Fuel vapor or spilled fuel may ignite. If any fuel is spilled, make sure the area is dry before starting the engine.
9. Never run the engine in an enclosed or confined area. Exhaust contains poisonous carbon monoxide gas; exposure may cause loss of consciousness and may lead to death.
10. The muffler becomes very hot during operation and remains hot for a while after stopping the engine. Be careful not to touch the muffler while it is hot. To avoid severe burns or fire hazards, let the engine cool before transporting it or storing it indoors.
11. Never ship/transport unit with gasoline in the tank.

Specifications

PowrLiner1800M

Gallons per minute (GPM).....	0.50 (1.90 LPM)
Maximum tip size.....	0.023"
Maximum pressure	3300 PSI (22.8 MPa)
Power	4.3 HP Robin-Subaru gas engine
Weight	120 lbs. (54.4 kg)

PowrLiner2800M

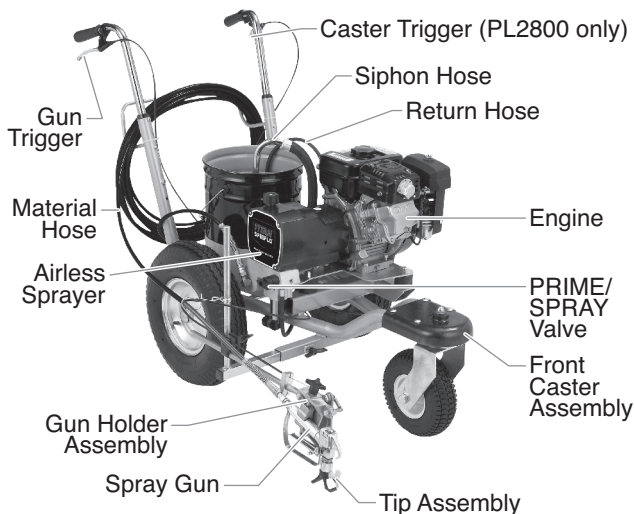
Gallons per minute (GPM).....	0.85 (3.22 LPM)
Maximum tip size.....	0.030"
Maximum pressure	3300 PSI (22.8 MPa)
Power	4.3 HP Robin-Subaru gas engine
Weight	138 lbs. (62.6 kg)

Table of Contents

Safety Precautions	2
Français	16
Español	20
General Description	4
Operation	4
Fueling	4
Setup	5
Preparing to Paint	6
Painting	6
Operating the Front Caster	7
Pressure Relief Procedure	7
Cleanup	7
Cleaning the Spray Tip	8
Maintenance	8
General Repair and Service Notes	8
Maintaining the Engine	8
Cleaning or Replacing the Filters	9
Replacing the PRIME/SPRAY Valve	9
Replacing the Pump ON/OFF Switch	9
Replacing the Gears and/or Slider Assembly	9
Replacing the Transducer	11
Servicing the Clutch Assembly	11
Servicing the Fluid Section	13
Troubleshooting	15
Parts Listings	48
Main Assembly	48
Drive Assembly	50
Fluid Section Assembly (PL1800M)	52
Fluid Section Assembly (PL2800M)	54
Cart Assemblies	56
Front Wheel Assemblies	58
Gun Holder Assembly	60
Brake Assembly (PL2800M)	60
Siphon Assembly	60
Accessories	62
Limited Warranty	64

General Description

This airless line striper is a precision power tool used to spray many types of material for many types of applications including parking lots, curbs, and athletic fields. Read and follow this instruction manual carefully for proper operating instructions, maintenance, and safety information.



This equipment produces a fluid stream at extremely high pressure. Read and understand the warnings in the Safety Precautions section at the front of this manual before operating this equipment.

Operation

Fueling (gas engine)



Gasoline is extremely flammable and is explosive under certain conditions.

- ALWAYS turn the engine off before refueling.
- Refuel in a well-ventilated area.
- Do not smoke or allow flames or sparks in the refueling area or where gasoline is stored.
- Do not overfill the fuel tank. After refueling, make sure the tank cap is closed properly and securely.
- Be careful not to spill fuel when refueling. Spilled fuel or fuel vapor may ignite. If any fuel is spilled, make sure the area is dry before starting the engine.
- Avoid repeated or prolonged contact with skin or breathing of vapor.
- Keep out of the reach of children.

Fuel Specifications

- Use automotive gasoline that has a pump octane number of 86 or higher, or that has a research octane number of 91 or higher. Use of a lower octane gasoline can cause persistent “pinging” or heavy “spark knock” (a metallic rapping noise) which, if severe, can lead to engine damage.

NOTE: If “spark knock” or “pinging” occurs at a steady engine speed under normal load, change brands of gasoline. If spark knock or pinging persists, consult an authorized dealer of the engine manufacturer. Failure to do so is considered misuse, and damage caused by misuse is not covered by the engine manufacturer’s limited warranty.

Occasionally you may experience light spark knock while operating under heavy loads. This is no cause for concern, it simply means your engine is operating efficiently.

- Unleaded fuel produces fewer engine and spark plug deposits and extends the life of the exhaust system components.
- Never use stale or contaminated gasoline or an oil/gasoline mixture. Avoid getting dirt, dust, or water in the fuel tank.

Gasolines Containing Alcohol

If you decide to use a gasoline containing alcohol (gasohol), be sure its octane rating is at least as high as that recommended by the engine manufacturer. There are two types of “gasohol”: one containing ethanol, and the other containing methanol. Do not use gasohol that contains more than 10% ethanol. Do not use gasoline containing methanol (methyl or wood alcohol) that does not also contain co-solvents and corrosion inhibitors for methanol. Never use gasoline containing more than 5% methanol, even if it has co-solvents and corrosion inhibitors.

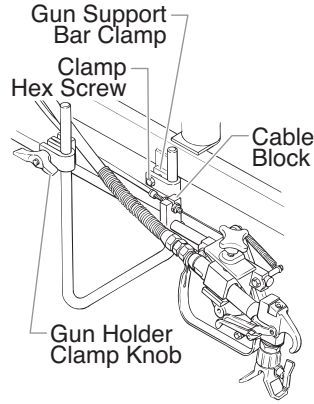
NOTE: Fuel system damage or engine performance problems resulting from the use of fuels that contain alcohol is not covered under the warranty. The engine manufacturer cannot endorse the use of fuels containing methanol since evidence of their suitability is incomplete at this time.

Before buying gasoline from an unfamiliar station, try to find out if the gasoline contains alcohol. If it does, confirm the type and percentage of alcohol used. If you notice any undesirable operating characteristics while using a gasoline that contains alcohol, or one that you think contains alcohol, switch to a gasoline that you know does not contain alcohol.

Setup

Perform the following procedure before starting the engine of a gas-powered line stripper.

1. Ensure that the siphon hose and the return hose are attached and secure.
2. Position the spray gun.
 - a. Loosen the support bar clamp hex screw and rotate the gun support bar to the desired position. Tighten the hex screw securely.
 - b. Loosen the gun holder clamp knob and slide the spray gun to the desired vertical and horizontal (front-to-back) position. Tighten the knob securely.
3. Turn the pressure control knob fully counterclockwise to its lowest pressure setting.
4. Make sure the pump ON/OFF switch is in the OFF position.
5. Fill the fluid section oil cup with approximately one tablespoon of piston seal lubricant (Piston Lube).



NOTE: The height of the spray gun affects the width of the spray pattern (i.e., the lower the gun, the smaller the line width). Tip size also affects line width.

IMPORTANT: Never operate unit for more than ten seconds without fluid. Operating this unit without fluid will cause unnecessary wear to the packings.

7. Check the engine oil level. The gasoline engine oil level is determined by the manufacturer. Refer to the engine manufacturer's service manual (supplied).
8. Close the fuel shut-off lever and fill the gas tank with gasoline. Use only high quality, unleaded gasoline.

NOTE: The gun support bar and the spray gun can be mounted on either side of the sprayer. To move the gun support bar:

- a. Remove the support bar clamp hex screw and nut.
- b. Move the gun support bar to the opposite side of the cart.
- c. Align the support bar clamp with the bracket on the cart.
- d. Thread the clamp hex screw through the gun support bar clamp and the bracket on the cart. Place the nut on the end of the clamp hex screw and tighten securely.

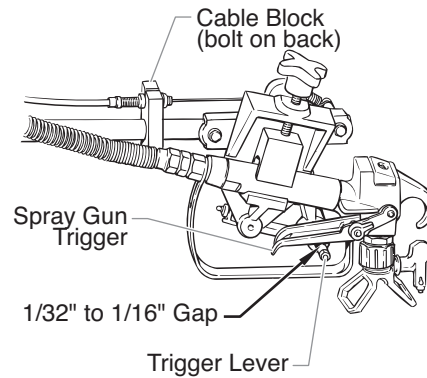
Adjusting the Trigger Tension

Use the following procedure to adjust the spring tension of the trigger lever on the gun holder assembly. The trigger lever pulls and releases the spray gun trigger when operated from the trigger on the cart. The proper tension ensures that the gun will shut off when the gun trigger is released. To ensure proper tension, there should be approximately a 1/32" to 1/16" gap between the trigger lever and the spray gun trigger.

IMPORTANT: Always keep the trigger lock on the spray gun in the locked position while making adjustments to the system.

1. Using a wrench, loosen the bolt on the cable block.
2. Move the cable block in the appropriate direction to create a gap of 1/32" to 1/16" between the trigger lever and spray gun trigger.
 - a. Slide the cable block toward the gun to increase the gap between the trigger lever and spray gun trigger.

- b. Slide the cable block away from the gun to decrease the gap between the trigger lever and spray gun trigger.



3. Tighten the set screw securely.

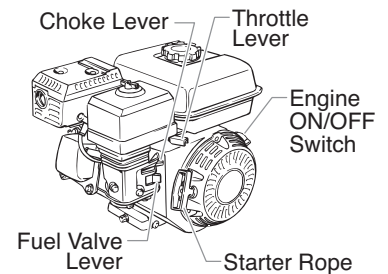
Preparing a New Sprayer

If this unit is new, it is shipped with test fluid in the fluid section to prevent corrosion during shipment and storage. This fluid must be thoroughly cleaned out of the system with mineral spirits before you begin spraying.

IMPORTANT: Always keep the trigger lock on the spray gun in the locked position while preparing the system.

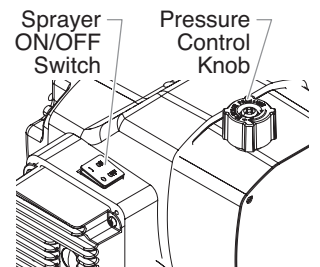
1. Place the siphon tube into a container of mineral spirits that has a flash point of 60°C (140°F) or above.
2. Place the return hose into a metal waste container.
3. Turn the pressure control knob fully counterclockwise to its lowest pressure setting.
4. Move the PRIME/SPRAY valve to the PRIME position.
5. Move the engine ON/OFF switch to the ON position.
6. Start the engine:

- a. Open the fuel valve lever.
- b. Move the throttle lever away from the gas tank.
- c. Close the engine choke lever.
- d. Holding the frame with one hand, pull the starter rope rapidly and firmly.



Continue to hold the rope as you let it return. Pull and return the rope until the engine starts.

7. Turn on the sprayer by moving the pump ON/OFF switch to the ON position.
8. Slowly turn the pressure control knob clockwise to increase the pressure until fluid starts to come out of the return hose. Use only enough pressure to keep the fluid coming out.
9. Allow the sprayer to run for 15–30 seconds to flush the test fluid out through the return hose and into the waste container.
10. Turn the pressure control knob fully counterclockwise to its lowest setting.
11. Turn off the sprayer by moving the pump ON/OFF switch to the OFF position.



Preparing to Paint

Before painting, it is important to make sure that the fluid in the system is compatible with the paint that is going to be used.

NOTE: Incompatible fluids and paint may cause the valves to become stuck closed, which would require disassembly and cleaning of the sprayer's fluid section.

IMPORTANT: Always keep the trigger lock on the spray gun in the locked position while preparing the system.

1. Place the siphon tube into a container of the appropriate solvent for the material being sprayed (refer to recommendations of the material manufacturer). An example of the appropriate solvent is water for latex paint.
2. Place the return hose into a metal waste container.
3. Turn the pressure control knob fully counterclockwise to its lowest pressure setting.
4. Move the PRIME/SPRAY valve to the PRIME position.
5. Move the engine ON/OFF switch to the ON position.
6. Start the engine:
 - a. Open the fuel valve lever.
 - b. Move the throttle lever away from the gas tank.
 - c. Close the engine choke lever.
 - d. Holding the frame with one hand, pull the starter rope rapidly and firmly. Continue to hold the rope as you let it return. Pull and return the rope until the engine starts.
7. Turn on the sprayer by moving the pump ON/OFF switch to the ON position.
8. Slowly turn the pressure control knob clockwise to increase the pressure until fluid starts to come out of the return hose. Use only enough pressure to keep the fluid coming out.
9. Allow the sprayer to run for 15–30 seconds to flush the old solvent out through the return hose and into the metal waste container.
10. Turn the pressure control knob fully counterclockwise to its lowest setting.
11. Turn off the sprayer by moving the pump ON/OFF switch to the OFF position.

NOTE: Make sure that the spray gun does not have a tip or tip guard installed.

12. Move the PRIME/SPRAY valve to the SPRAY position.
13. Turn on the sprayer.
14. Turn the pressure control knob slowly clockwise to increase pressure.
15. Unlock the gun by turning the gun trigger lock to the unlocked position.



Ground the gun by holding it against the edge of the metal container while flushing. Failure to do so may lead to a static electric discharge, which may cause a fire.



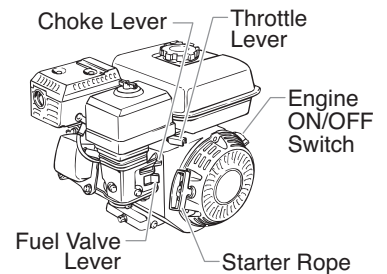
16. Trigger the gun into the metal waste container until the old solvent is gone and fresh solvent is coming out of the gun.
17. Lock the gun by turning the gun trigger lock to the locked position.
18. Set down the gun and increase the pressure by turning the pressure control knob slowly clockwise to its highest setting.
19. Check the entire system for leaks. If leaks occur, turn the sprayer off and follow the "Pressure Relief Procedure" in this manual before tightening any fittings or hoses.
20. Follow the "Pressure Relief Procedure" in this manual before changing from solvent to paint.



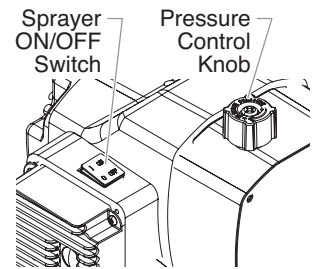
Be sure to follow the pressure relief procedure when shutting the unit down for any purpose, including servicing or adjusting any part of the spray system, changing or cleaning spray tips, or preparing for cleanup.

Painting

1. Place the siphon tube into a container of paint.
2. Place the return hose into a metal waste container.
3. Turn the pressure control knob fully counterclockwise to its lowest pressure setting.
4. Move the PRIME/SPRAY valve to the PRIME position.
5. Move the engine ON/OFF switch to the ON position.
6. Start the engine:
 - a. Open the fuel valve lever.
 - b. Move the throttle lever away from the gas tank.
 - c. Close the engine choke lever.
 - d. Holding the frame with one hand, pull the starter rope rapidly and firmly. Continue to hold the rope as you let it return. Pull and return the rope until the engine starts.
7. Turn on the sprayer by moving the pump ON/OFF switch to the ON position.



8. Slowly turn the pressure control knob clockwise to increase the pressure until fluid starts to come out of the return hose. Use only enough pressure to keep the fluid coming out.
9. Allow the sprayer to run until paint is coming through the return hose into the metal waste container.
10. Turn the pressure control knob fully counterclockwise to its lowest setting.
11. Turn off the sprayer by moving the pump ON/OFF switch to the OFF position.
12. Remove the return hose from the waste container and place it in its operating position above the container of paint.
13. Move the PRIME/SPRAY valve to the SPRAY position.
14. Turn on the sprayer.
15. Turn the pressure control knob slowly clockwise to increase pressure.
16. Unlock the gun by turning the gun trigger lock to the unlocked position.



Ground the gun by holding it against the edge of the metal container while flushing. Failure to do so may lead to a static electric discharge, which may cause a fire.



17. Trigger the gun into the metal waste container until all air and solvent is flushed from the spray hose and paint is flowing freely from the gun.
18. Lock the gun by turning the gun trigger lock to the locked position.
19. Turn the pressure control knob fully counterclockwise to its lowest setting.
20. Turn off the sprayer.
21. Attach tip guard and tip to the gun as instructed by the tip guard or tip manuals.



POSSIBLE INJECTION HAZARD. Do not spray without the tip guard in place. Never trigger the gun unless the tip is in either the spray or the unclog position. Always engage the gun trigger lock before removing, replacing or cleaning tip.

22. Turn on the sprayer.
23. Increase the pressure by turning the pressure control knob slowly clockwise. Test the spray pattern and line position on a long piece of roofing felt or cardboard.
 - a. Adjust the pressure control knob until the spray from the gun is completely atomized. Try to keep the pressure control knob at the lowest setting that maintains good atomization.

NOTE: Turning the pressure up higher than needed to atomize the paint will cause premature tip wear and additional overspray.

- b. Check for proper line width and position. If adjustment to the position of the spray gun is required, refer to the "Setup" procedure earlier in this section.
24. Make sure that the spray gun completely shuts off when the gun trigger is released. If adjustment to the trigger tension is required, refer to the "Adjusting the Trigger Tension" procedure earlier in this section.

Operating the Front Caster

PowrLiner 1800M

The front caster on the cart is designed to track the sprayer in either a straight line or allow free motion.

1. To lock the the front caster in the straight line position, rotate the lever above the caster clockwise until it stops.
2. To allow free motion, turn the lever above the caster clockwise approximately 1/2 turn or until the caster rotates freely.

PowrLiner 2800M

The front caster on the cart is designed to track the sprayer in either a straight line or allow free motion. Standing behind the sprayer, the trigger on the left handle of the cart controls the operation of the front caster.

1. To lock the front caster in the straight line position, squeeze then release the caster trigger and move the sprayer forward.
2. To allow free motion of the front caster, squeeze and hold the caster trigger.

NOTE: To lock the front caster in free motion mode, squeeze and hold the caster trigger and then push in the locking button on the side of the trigger. Once the locking button is pushed in, the caster trigger can be released. To release the locking pin, squeeze the caster trigger.

Pressure Relief Procedure



Be sure to follow the Pressure Relief Procedure when shutting the unit down for any purpose, including servicing or adjusting any part of the spray system, changing or cleaning spray nozzles, or preparing for cleanup.

1. Lock the gun by turning the gun trigger lock to the locked position.
2. Turn off the sprayer by moving the pump ON/OFF switch to the OFF position.
3. Turn off the engine by moving the engine ON/OFF switch to the OFF position.
4. Turn the pressure control knob counterclockwise to its lowest setting.
5. Unlock the gun by turning the gun trigger lock to the unlocked position.

6. Hold the metal part of the gun firmly to the side of a metal container to ground the gun and avoid a build up of static electricity.
7. Trigger the gun to remove any pressure that may still be in the hose.
8. Lock the gun by turning the gun trigger lock to the locked position.
9. Move the PRIME/SPRAY valve to the PRIME position.



Cleanup



Special cleanup instructions for use with flammable solvents:

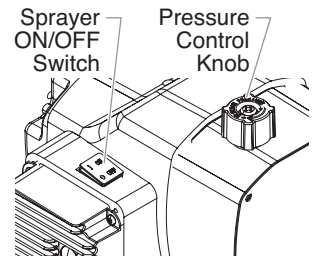
- Always flush spray gun preferably outside and at least one hose length from spray pump.
- If collecting flushed solvents in a one gallon metal container, place it into an empty five gallon container, then flush solvents.
- Area must be free of flammable vapors.
- Follow all cleanup instructions.

IMPORTANT: The sprayer, hose, and gun should be cleaned thoroughly after daily use. Failure to do so permits material to build up, seriously affecting the performance of the unit.



Always spray at minimum pressure with the gun nozzle tip removed when using mineral spirits or any other solvent to clean the sprayer, hose, or gun. Static electricity buildup may result in a fire or explosion in the presence of flammable vapors.

1. Follow the "Pressure Relief Procedure" found in the Operation section of this manual.
2. Remove the gun tip and tip guard and clean with a brush using the appropriate solvent.
3. Place the siphon tube into a container of the appropriate solvent (refer to recommendations of the material manufacturer). An example of the appropriate solvent is water for latex paint.
4. Place the return hose into a metal waste container.
5. Move the PRIME/SPRAY valve to its PRIME position.
6. Move the engine ON/OFF switch to the ON position and start the engine.
7. Turn on the sprayer by moving the sprayer ON/OFF switch to the ON position.
8. Slowly turn the pressure control knob clockwise to increase the pressure until fluid starts to come out of the return hose.
9. Allow the solvent to circulate through the sprayer and flush the paint out of the return hose into the metal waste container.
10. Turn the pressure control knob fully counterclockwise to its lowest setting.
11. Turn off the sprayer by moving the ON/OFF switch to the OFF position.
12. Move the PRIME/SPRAY valve to its SPRAY position.
13. Turn on the sprayer.
14. Turn the pressure control knob slowly clockwise to increase pressure.



Ground the gun by holding it against the edge of the metal container while flushing. Failure to do so may lead to a static electric discharge, which may cause a fire.



15. Trigger the gun into the metal waste container until the paint is flushed out of the hose and solvent is coming out of the gun.
16. Continue to trigger the spray gun into the waste container until the solvent coming out of the gun is clean.

NOTE: For long-term or cold weather storage, pump mineral sprits through the entire system.

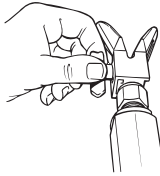
17. Follow the “Pressure Relief Procedure” found in the Operation section of this manual.
18. Store the sprayer in a clean, dry area.

IMPORTANT: Do not store the unit under pressure.

Cleaning the Spray Tip

1. Flush the gun with solvent immediately after the work is completed.
2. Oil the sliding pins to prevent them from seizing up.

Should the spray tip become clogged, reverse the spray tip with the lever and pull the trigger. Once the obstruction comes out of the spray tip, release the trigger, reverse the spray tip back to the spray pattern setting, and resume spraying.



Do not attempt to clean the tip with your finger.

Do not use a needle or other sharp pointed instrument to clean the tip. The hard tungsten carbide is brittle and can be chipped.

Maintenance



Before proceeding, follow the Pressure Relief Procedure outlined previously in this manual. Additionally, follow all other warnings to reduce the risk of an injection injury, injury from moving parts or electric shock.

NOTE: All Robin-Subaru engine work should be performed by a Robin-Subaru authorized service center.

General Repair and Service Notes

The following tools are needed when repairing this sprayer:

Phillips screwdriver	3/8" hex wrench
needle-nose pliers	5/16" hex wrench
adjustable wrench	1/4" hex wrench
rubber mallet	3/16" hex wrench
flat-blade screwdriver	1/8" hex wrench
1/2" open-end wrench	7/8" open-end wrench

1. Before repairing any part of the sprayer, read the instructions carefully, including all warnings.

IMPORTANT: Never pull on a wire to disconnect it. Pulling on a wire could loosen the connector from the wire.

2. Test your repair before regular operation of the sprayer to be sure that the problem is corrected. If the sprayer does not operate properly, review the repair procedure to determine if everything was done correctly. Refer to the Troubleshooting section to help identify other possible problems.
3. Make certain that the service area is well ventilated in case solvents are used during cleaning. Always wear protective eyewear while servicing. Additional protective equipment may be required depending on the type of cleaning solvent. Always contact the supplier of solvents for recommendations.
4. If you have any further questions concerning your Titan airless sprayer, call Titan:

Technical Service (U.S.) **1-800-526-5362**
 Fax **1-800-528-4826**

Maintaining the Engine



When transporting a sprayer with a gas engine, make sure the fuel is shut off.

NOTE: For detailed engine specifications and maintenance, refer to the separate engine manual supplied with this sprayer.

Important Facts Concerning this Sprayer

This gas-powered sprayer contains a clutch that engages when the sprayer is pumping. The sprayer's pressure control system engages and disengages the clutch to control pressure. To prevent unnecessary wear to the clutch, it is advisable to adjust the engine speed and pressure setting to limit the amount of times the clutch engages and disengages. To reduce clutch wear, refer to the following examples.

Example:

Operating one gun with a .019" tip — reduce the engine speed by adjusting the throttle to a low or medium setting and increase pressure only until the heavy ends of the spray pattern have been eliminated.

Example:

Operating one gun with .025" tip — increase engine speed to a higher setting and increase pressure until the heavy ends of the spray pattern have been eliminated.

Example:

Spraying light-bodied materials at low pressure — to reduce surging at the gun and to decrease clutch wear, reduce the engine speed to idle and reduce pressure until the desired spray pattern is achieved.

Routine Engine Maintenance

Daily

- Check and fill the gas tank.
- After the first 20 hours of operation, drain the oil and refill with clean oil. Check the engine oil level and fill as necessary.

Weekly

- Remove the cover of the air filter and clean the element. Replace the element if necessary. If operating in an unusually dusty environment, check the filter daily and replace if necessary. (Replacement elements can be purchased from your local Titan dealer.)
- After each 50 hours of operation: Change the engine oil.

Spark Plug

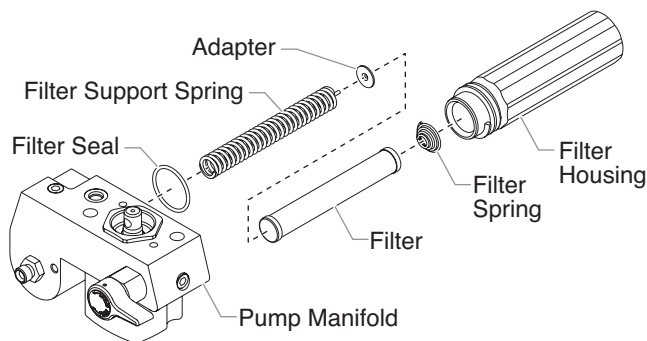
- Use only a (NKG) BR6HS or Champion RL86C plug.
- Gap the plug 0.020" – 0.030"
- Make sure to use a spark plug wrench when installing and removing the plug.

Cleaning or Replacing the Filters

Pump Filter

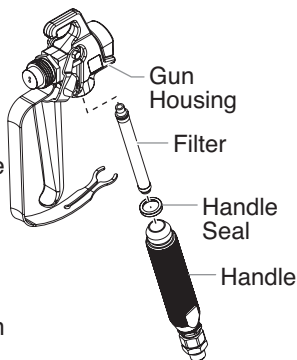
1. Loosen and remove the filter housing by hand. Pull the filter out of the pump manifold.
2. Slip the filter off of the filter support spring.
3. Inspect the filter. Based on inspection, clean or replace the filter.
4. Inspect the filter seal. Based on inspection, clean or replace the filter seal.
5. Slide the new or cleaned filter over the filter support spring with the adapter in place. Push the filter into the center of the pump manifold.
6. Slide the filter housing over the filter and thread it into the pump manifold until secure.

NOTE: The filter housing should be hand-tightened, but make sure the filter housing is seated fully into the pump manifold.



Gun Filter

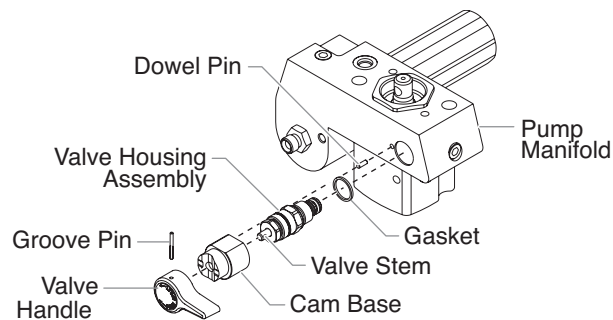
1. Pull the bottom of the trigger guard forward so that it comes loose from the handle assembly.
2. Loosen and remove the handle assembly from the gun head.
3. Pull the old filter out of the gun head.
4. Slide the new filter, tapered end first, into the gun head.
5. Make sure the handle seal is in position and thread the handle assembly into the gun head until secure.
6. Snap the trigger guard back onto the handle assembly.



Replacing the PRIME/SPRAY Valve

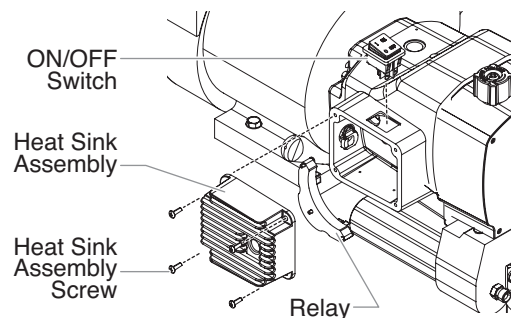
Perform the following procedure using PRIME/SPRAY valve replacement kit P/N 800-915 or 700-258.

1. Drive the groove pin out of the valve handle.
2. Remove the valve handle and the cam base.
3. Using a wrench, loosen and remove the valve housing assembly from the pump manifold.
4. Make sure the gasket is in place and thread the new valve housing assembly into the pump manifold. Tighten securely with a wrench.
5. Place the cam base over the valve housing assembly. Lubricate the cam base with grease and line up the cam with the pump manifold using the dowel pin.
6. Line up the hole on the valve stem with the hole in the valve handle.
7. Insert the groove pin into the valve handle and through the valve stem to secure the valve handle in position.



Replacing the Sprayer ON/OFF Switch

1. Perform the Pressure Relief Procedure.
2. Using a Phillips screwdriver, remove the four screws that secure the heat sink assembly to the housing. Carefully remove the heat sink assembly from the housing. Gently move the assembly away from the sprayer and allow the assembly to hang from the housing.
3. Locate the bottom of the sprayer ON/OFF switch inside the housing.



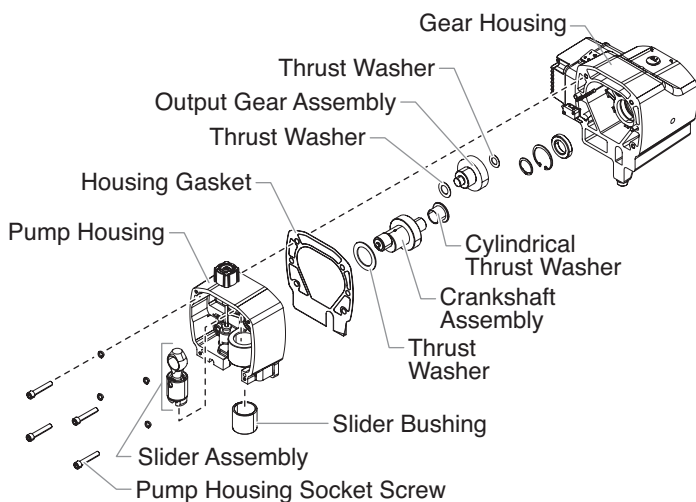
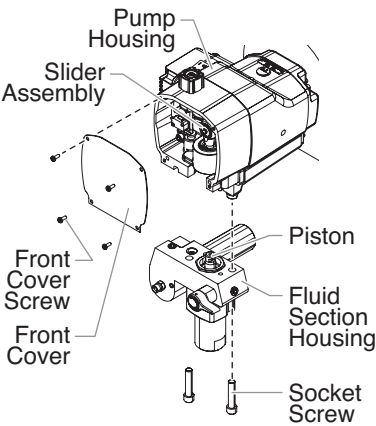
4. Disconnect the switch wires from the sprayer ON/OFF switch. Remember the locations of each of the two wires (label the wires, if necessary).
5. Depress the mounting tabs on each corner of the sprayer ON/OFF switch inside the housing and remove the switch through the top of the housing.
6. Snap the new sprayer ON/OFF switch into the switch hole in the housing.
7. Connect the two switch wires to the new sprayer ON/OFF switch. Make sure the wires are connected to the corresponding terminals from which they were removed (refer to the labels created earlier in this procedure or the electrical schematic in the Parts List section of this manual).
8. Carefully place the heat sink assembly over the housing taking care not to pinch any wires.
9. Install the four screws that secure the heat sink assembly to the housing. Tighten securely.

Replacing the Gears and/or Slider Assembly

1. Using a Phillips screwdriver, remove the four front cover screws. Remove the front cover.
2. Start the engine (refer to the procedures in the Operation section of this manual). Turn the pressure control knob clockwise to its maximum pressure setting.
3. Toggle the sprayer ON/OFF switch between the ON and OFF positions in short bursts until the slider assembly and piston stop at the bottom of their stroke (in their lowest position).
4. Turn off the engine and perform the Pressure Relief Procedure.

NOTE: If replacing the slider assembly, the fluid section must be removed from the pump housing.

5. Using a 3/8" hex wrench, remove the two socket screws that secure the fluid section to the pump housing.
6. Pull fluid section housing down approximately 1/2" from the gear box housing to clear the transducer.
7. Slide the fluid section housing and piston rod forward until the piston rod is out of the T-slot on the slider assembly.
8. Using a 1/4" hex wrench, remove the four socket screws that secure the pump housing to the gear housing.



9. Slide the pump housing away from the gear housing.
10. Remove and clean the housing gasket. Replace if damaged.
11. Slide the crankshaft assembly, with the two thrust washers out from the gear housing side of the pump housing.
12. Remove the output gear assembly with the two thrust washers.
13. Thoroughly clean the crankshaft assembly, the output gear assembly, and all the thrust washers.
14. Inspect all parts for excessive wear and replace if damaged or worn. If the crankshaft or output gear assembly are replaced, replace the corresponding thrust washers as well.
15. Inspect the pinion gear on the end of the drive shaft for wear. Replace if damaged or worn (refer to the "Servicing the Clutch Assembly" procedure in this section).

NOTE: If any of the gears are worn and require replacement, check the grease in the gear housing for metal particles or shavings. Remove the contaminated grease. Replace the grease that has been removed with fresh Lubriplate GR-132 grease.

16. Slide the slider assembly up and out of the slider bushing in the front of the pump housing.
17. Check the parts for wear.
 - a. If the slider bushing is scored or out of round the pump housing should be replaced.
 - b. If the slider assembly is scored or the connection between the connecting rod and slider assembly exhibits movement other than pivoting movement, the slider assembly should be replaced. The slider assembly also should be replaced if the connecting rod bearing shows signs of wear.

- c. Any parts that will be reused should be cleaned thoroughly, including the connecting rod. Also, clean the crankshaft pin that the connecting rod bearing rides on.
18. Coat the output gear assembly and each side of its thrust washers with fresh Lubriplate GR-132 grease. Place the thrust washers on their proper shaft of the output gear assembly.
19. Lubricate the output gear assembly with fresh Lubriplate GR-132 grease. Insert the gear assembly into its bore in the gear housing, gear end first. The teeth on the gear will mate with the teeth on the drive shaft pinion.
20. Generously coat all surfaces of the cylindrical crankshaft assembly thrust washer with fresh Lubriplate GR-132 grease.
21. Slip the flat end of the cylindrical thrust washer behind the gear on the output gear assembly, lining its bore up with the gear housing bearing bore for the crankshaft assembly.
22. Lubricate the crankshaft assembly gear with fresh Lubriplate GR-132 grease. Slide the gear side shaft of the crankshaft through the cylindrical thrust washer and into its bore within the gear housing.
23. Position the pin on the end of the crankshaft towards the bottom of the gear housing (the bottom dead center position).
24. Lubricate both faces of the large crankshaft assembly thrust washer with fresh Lubriplate GR-132 grease. Place the thrust washer onto the crankshaft against the gear.
25. Place the housing gasket over the gear housing dowel pins.
26. Lubricate the outside of the slider assembly and the inside of the slider bushing with oil. Fill the slider cup with Lubriplate 1242 grease (the slider cup is the area on the slider assembly where the connecting rod and slider join and pivot).
27. Insert the slider assembly into the slider bushing.
28. Carefully place the pump housing assembly in front of the gear housing assembly, lining up the gear housing dowel pins with their corresponding holes in the pump housing. Slide the pump housing onto the gear housing until there is no gap between the housings and gasket.

NOTE: While sliding the pump housing into place, the crankshaft pin will begin to protrude from the bearing in the center of the pump housing. Position the slider assembly so that as the crankshaft pin protrudes from the main bearing, it engages the connecting rod bearing.

IMPORTANT: Do not force the pump housing and gear housing together.

29. Locate the four socket screws and lock washers that secure the pump housing to the gear housing.
30. Using a 1/4" hex wrench, snug and tighten the socket screws in a crossing pattern. Torque to 200-230 in./lbs.
31. Slide the top of the piston rod into the T-slot on the slider assembly.
32. Position the pump block underneath the gear box housing and push up until it rests against the gear box housing.
33. Insert the two socket screws that secure the fluid section to the pump housing and alternately snug, tighten, and torque the screws to 400-440 in./lbs.
34. Position the front cover over the pump housing. Secure the front cover using the four front cover screws.

Replacing the Transducer

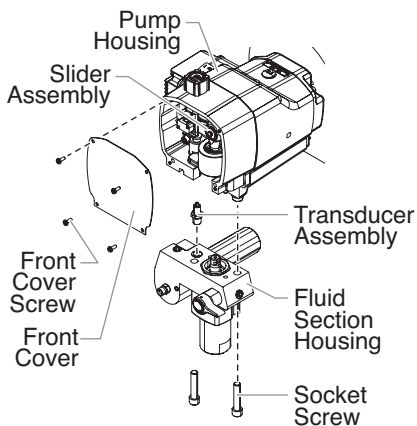
1. Loosen and remove the four front cover screws. Remove the front cover.
2. Stop the sprayer at the bottom of its stroke so that the piston is at its lowest position.
3. Perform the Pressure Relief Procedure.



Before proceeding, follow the Pressure Relief Procedure outlined previously in this manual. Additionally, follow all other warnings to reduce the risk of an injection injury, injury from moving parts or electric shock.

4. Tilt the sprayer back for easy access to the fluid section.
5. Using a 3/8" hex wrench, loosen and remove the two socket screws.
6. Pull the fluid section down approximately 1/2" from the housing to clear the transducer.
7. Slide the fluid section and piston rod forward until the piston rod is out of the T-slot on the connecting rod.
8. Using a wrench, remove the transducer assembly from the fluid section.
9. Thread the new transducer assembly from the fluid section. Tighten securely with a wrench.
10. Reassemble the pump by reversing steps 1-8.

IMPORTANT: Make sure the transducer is aligned properly with the hole in the fluid section during reassembly. Improper alignment may cause damage to the transducer O-ring.

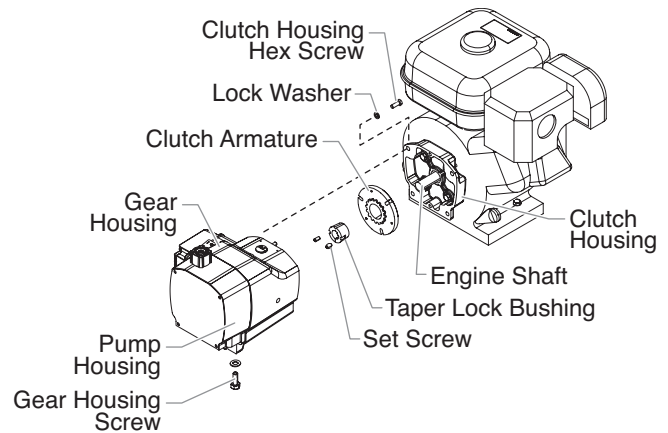


Servicing the Clutch Assembly

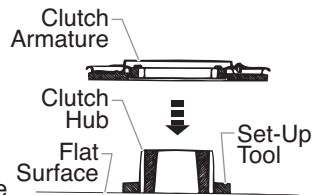
NOTE: When replacing the clutch armature, the clutch rotor must be replaced also. This will allow for even wear and maximum life on clutch parts.

Removing/Replacing the Clutch Armature Assembly

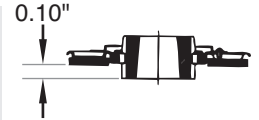
1. Perform the Pressure Relief Procedure.
2. Locate the wire that exits the rear of the pressure control housing and connects to the wire harness on the engine. Disconnect this wire from its connector at the engine wire harness.
3. Using a 12 point, 5/16" wrench, remove the four screws and lock washers that secure the clutch housing to the gear housing.
4. Using a 9/16" socket, remove the screw that secures the gear housing to the cart.
5. Slide the pump and gear housings away from the engine to disengage them from the clutch housing.



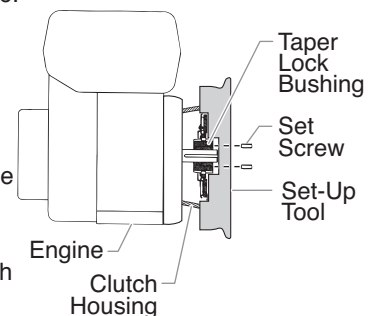
6. Locate the clutch armature assembly on the end of the engine shaft. Note the two set screws as well as the unused, threaded hole in the taper lock bushing at the center of the clutch hub.
7. Using an 1/8" hex wrench, remove the two set screws from the taper lock bushing.
8. Thread one of the set screws into the unused, threaded hole on the taper lock bushing. As the screw tightens, the bushing will loosen. Once the bushing has loosened enough, slide the clutch armature assembly off the engine shaft.
9. Before replacing the clutch hub and armature assembly the proper "set back" must be created. Using the hub set-up tool (P/N 0555926), create a "set back" of 0.10" between the friction surface of the clutch armature and the forward face of the clutch hub.



NOTE: A new clutch hub and armature assembly will come pre-assembled, but the "set back" may not be correct. The "set back" must still be created using the hub set-up tool.

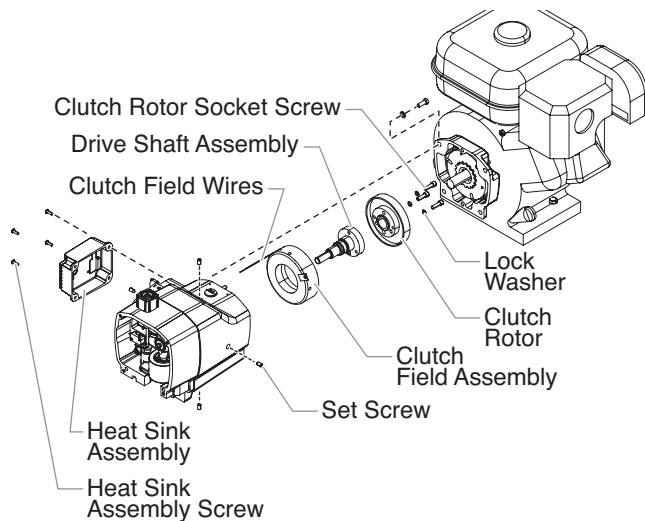


10. To replace the clutch armature assembly, line up the three holes in the taper lock bushing with the three holes in the clutch armature and insert the bushing into the center of the clutch armature.
11. Line up the key on the taper lock bushing with the keyway on the engine shaft and slide the assembly onto the shaft with the holes facing out.
12. Apply blue Loctite to the two set screws and insert the screws into the taper lock bushing. Tighten the set screws only two turns at this time.
13. Using the clutch set-up tool (P/N 0555926), position the clutch armature on the engine shaft. Hold the tool across the face of the clutch housing so that the center, recessed portion of the tool straddles the clutch armature assembly. Pull the clutch armature assembly towards the tool until the face of the armature is against the tool.
14. While holding the clutch armature assembly against the tool, use an 1/8" hex wrench and alternately tighten the set screws into the taper lock bushing. Torque to 65-75 in/lbs.
15. Make sure the friction surface of the clutch armature is clean and free from oil or grease.



Removing the Clutch Rotor, Clutch Field, and Drive Shaft Assembly

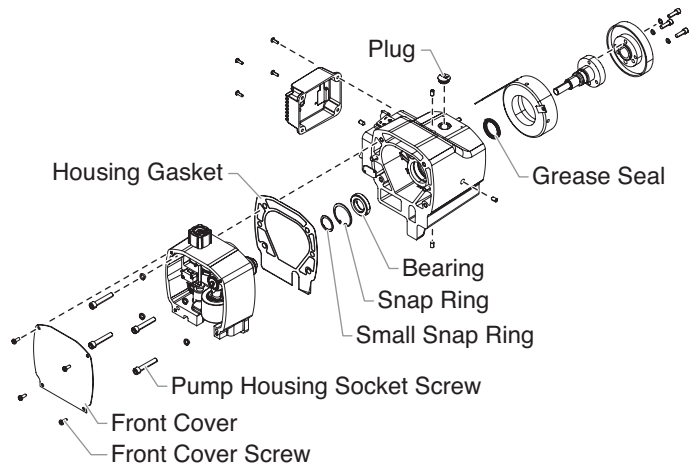
1. Follow steps 1–7 in “Removing/Replacing the Clutch Armature Assembly.”
2. Locate the clutch rotor assembly, which will be inside the rear the gear housing. Note the locations of the three socket screws and the two empty, threaded holes on the clutch rotor.
3. Using a 3/16” hex wrench, remove the three socket screws and lock washers that secure the clutch rotor to the drive shaft assembly.
4. Thread two of the socket screws into the empty, threaded holes and tighten alternately. This will push the clutch rotor away from the drive shaft assembly and pinion.
5. Using a Phillips screwdriver, remove the four screws that secure the heat sink assembly to the housing. Carefully remove the heat sink assembly from the housing.
6. Locate the two clutch field wires that pass from the gear housing into the control housing through a hole in the back of the control housing. Remember the wire connection terminals on the relay assembly (label if necessary) and disconnect the wires. Gently move the heat sink assembly away from the housing and rest it on the work surface by the control housing.
7. Locate the four pairs of set screws that secure the clutch field to the gear housing. They are located on the exterior of the gear housing at the 12, 3, 6, and 9 o’clock positions while facing the clutch field end of the gear housing. Using an 1/8” hex wrench, remove the setscrews. Remember the location of the two clutch field wires with respect to the grommet and EPC housing.
8. Carefully slide the clutch field out of the gear housing, keeping the field square to the gear housing so it does not bind.



NOTE: To remove the drive shaft assembly, the pump housing first must be removed from the gear housing.

9. Using a Phillips screwdriver, remove the four front cover screws. Remove the front cover.
10. Using a 1/4” hex wrench, remove the four socket screws that secure the pump housing to the gear housing.
11. Slide the pump housing away from the gear housing.
12. Remove and clean the housing gasket. Replace if damaged.
13. Locate the drive shaft pinion that is protruding from the front side of the gear housing. Remove the small snap ring that is located on the drive shaft hub in front of the ball bearing that is supporting the drive shaft.
14. From the opposite side of the gear housing (clutch side) slide the drive shaft assembly out of the gear housing.

15. Inspect the grease seal located inside the bore from which the drive shaft was removed. Replace if worn or damaged. To remove the grease seal, use a flat blade screwdriver to carefully pry the seal from the bore.
16. Clean the inside of the gear housing.



Installing the Clutch Rotor Assembly, Clutch Field and Drive Shaft Assembly

1. If the drive shaft grease seal was removed, press a new seal into the bore from which the old seal was removed.
2. From the clutch side of the gear housing, insert the drive shaft assembly into the bore, through the grease seal, and through the ball bearing on the gear side of the gear housing.
3. From the gear side of the gear housing, insert the snap ring into the groove on the drive shaft hub in front of the ball bearing.
4. Place the housing gasket over the gear housing dowel pins.
5. Carefully place the pump housing assembly in front of the gear housing assembly, lining up the gear housing dowel pins with their corresponding holes in the pump housing. Slide the pump housing onto the gear housing until there is no gap between the housings and gasket.

IMPORTANT: Do not force the pump housing and gear housing together.

6. Locate the four socket screws and lock washers that secure the pump housing to the gear housing.
7. Using a 1/4” hex wrench, snug and tighten the socket screws in a crossing pattern. Torque to 200–230 in./lbs.
8. Line up the four holes around the outside of the clutch field with the four set screw holes in the gear housing. The clutch field wires should be at approximately the 1 or 2 o’clock position.
9. Route the two clutch field wires through the hole and into the control housing.
10. Carefully slide the clutch field into its bore in the gear housing until it “bottoms out” within the housing. Do not pinch the clutch field wires during installation.
11. Thread one of the pointed set screws into its hole. Using an 1/8” hex wrench, rotate the screw slowly until it contacts the clutch field. **Do not tighten the set screw.** The tip of the set screw should mate with the drill point hole in the field. Check the clutch field for rotation. If it rotates within its bore, the set screw is not seated within the drill point.
12. When the set screw is properly seated, install the remaining three pointed set screws. Do not tighten the set screws.
13. Using a crossing pattern, tighten each of the pointed setscrews until they are snug. Once all four pointed set screws are snug, use a crossing pattern to tighten and torque the set screws to 70–80 in./lbs.

IMPORTANT: It is very important to evenly snug, tighten, and torque the clutch field pointed set screws in a crossing

pattern. This ensures the clutch field will stay centered in the gear housing.

15. Line up the three screw holes and dowel pin hole on the clutch rotor with the screw holes and dowel pin on the drive shaft assembly hub. Place the clutch rotor onto the hub.
16. Using a 3/16" hex wrench, thread the three socket screws and lock washers through the clutch rotor and into the drive shaft assembly hub. Evenly snug, tighten, and torque the socket screws to 75–85 in./lbs.
17. Make sure the friction surface of the clutch rotor is clean and free from oil or grease.
18. Locate the two clutch field wires in the control housing. Gently pull the wires fully into the EPC housing so that there is no slack in the gear housing. Connect the wires to their proper terminals on the relay (refer to the labels created earlier in this procedure or the electrical schematic in the Parts List section of this manual).
19. Carefully place the heat sink assembly over the control housing taking care not to pinch any wires.
20. Install the four screws that secure the heat sink assembly to the control housing. Tighten securely.

Mating the Gear Housing and the Clutch Housing

1. Place the gear housing assembly onto the cart in front of the clutch housing. Line up the dowel pins in the gear housing with their corresponding holes in the clutch housing. Slide the gear housing assembly onto the clutch housing until there is no gap between the housings.
2. Thread the four hex screws and lock washers through the clutch housing and into the gear housing.
3. Using a 12 point, 5/16" wrench, snug and tighten the hex screws in a crossing pattern. Torque to 140–155 in./lbs.
4. Using a 9/16" socket, thread the hex screw that secures the gear housing to the cart through the underside of the cart and into the gear housing. Torque to 100–120 in./lbs.
5. Connect the wire from the EPC housing to its mating connector on the engine wire harness.

Checking the Clutch Gap

1. Remove the plastic plug from the top of the clutch housing. Look through the port to locate the clutch armature and the clutch rotor.
2. Check the gap between the clutch armature and the clutch rotor using a .016" feeler gauge and a .035" feeler gauge.
 - a. Insert each feeler gauge through the port and into the gap between the clutch armature and the clutch rotor. The .016" feeler gauge should fit in the gap. The .035" feeler gauge should not fit in the gap.
 - b. Pull the engine pull cord several times to rotate the clutch armature, checking the gap with each feeler gauge between each pull.
 - c. If the .016" gauge does not fit or the .035" gauge does fit at any checkpoint, the gap must be readjusted. This is done by relocating the clutch hub and armature assembly on the engine shaft. Refer to the "Removing/Replacing the Clutch Armature Assembly" procedure.

Servicing the Fluid Section

Use the following procedures to service the valves and repack the fluid section.

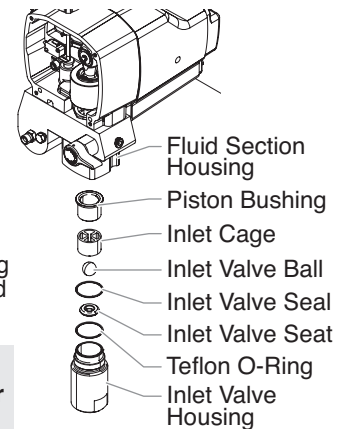
1. Using a Phillips screwdriver, remove the four front cover screws. Remove the front cover.
2. Start the engine (refer to the procedures in the Operation section of this manual). Turn the pressure control knob clockwise to its maximum pressure setting.
3. Toggle the sprayer ON/OFF switch between the ON and OFF positions in short bursts until the slider assembly and piston rod stop at the bottom of their stroke (in their lowest position).
4. Turn off the engine and perform the Pressure Relief Procedure.



Before proceeding, follow the Pressure Relief Procedure outlined previously in this manual. Additionally, follow all other warnings to reduce the risk of an injection injury, injury from moving parts or electric shock.

Servicing the Valves

The design of the fluid section allows access to the inlet valve and seat as well as the outlet valve and seat without completely disassembling the fluid section. It is possible that the valves may not seat properly because of debris stuck in the inlet valve seat or outlet valve seat. Use the following instructions to clean the valves and reverse or replace the seats.



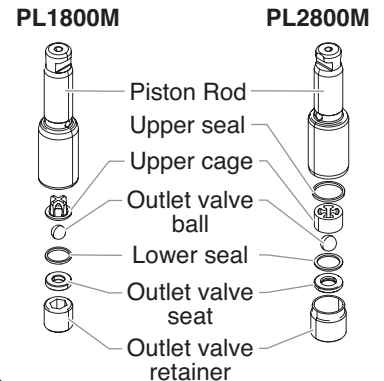
NOTE: Keep the sprayer in the upright position for this procedure.

1. Using a wrench, loosen and remove the inlet valve housing from the fluid section housing.
2. Clean out any debris in the inlet valve housing and examine the valve housing and seat. If the inlet valve seat is damaged, reverse the seat to the unused side or replace the seat.

NOTE: If the inlet valve seat is reversed or replaced, the inlet valve ball must be replaced.

3. Using a 3/8" hex wrench, loosen and remove the outlet valve retainer from the piston rod.

NOTE: Always service the outlet valve with the piston rod attached to the pump. This will prevent the piston rod from rotating during disassembly of the outlet valve.



4. Clean out any debris and examine the outlet valve retainer and seat. If the outlet valve seat is damaged, reverse to the unused side or replace the seat.

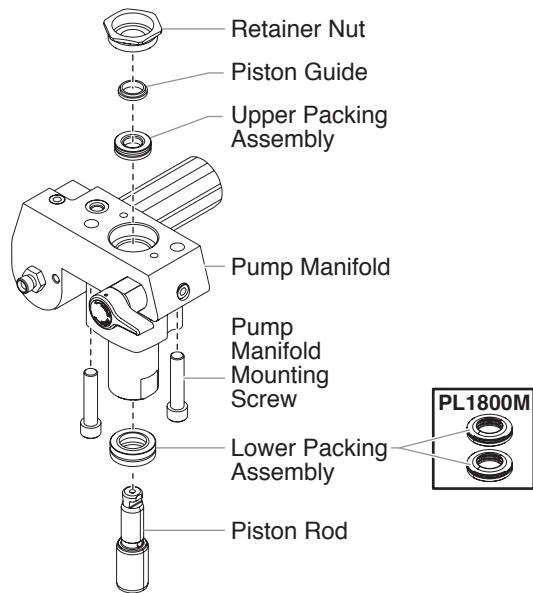
NOTE: If the outlet valve seat is reversed or replaced, the outlet valve ball must be replaced.

5. Remove, clean, and inspect the outlet cage and outlet valve ball. Replace if they are worn or damaged.
6. Reassemble the valves by reversing the steps above.

Repacking the Fluid Section

1. Remove the foot valve assembly using the steps in the "Servicing the Valves" procedure above.

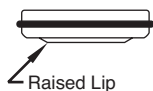
NOTE: The outlet valve does not need to be disassembled from the piston rod for this procedure.



2. Using 3/8" a hex wrench, loosen and remove the two pump block mounting screws.
3. Pull the pump block down approximately 1/2" from the gear box housing.
4. Slide the pump block and piston rod forward until the piston rod is out of the T-slot on the slider assembly.
5. Slide the piston rod out through the bottom of the pump block.
6. Loosen and remove the retainer nut and piston guide from the pump block.
7. Remove the upper and lower packings from the pump block.
8. Clean the pump block.
9. Locate the new upper and lower packings and pack the areas between the packing lips with grease. Lubricate the o-rings on the exterior of the packings with grease.
10. Inspect the piston rod for wear and replace if necessary.
11. Insert the upper packing into the top of the pump block with the raised lip on the packing facing down.
12. Insert the piston guide into the retainer nut. Thread the retainer nut into the pump block until it is hand tight.
13. Pre-form the lower packing using the lower packing sizing tool (included in the repacking kit).
- 14a. **PL1800M** - Install lower packings partially into the bottom of the pump block with raised lip and the O-ring facing up.
- 14b. **PL2800M** - Insert the lower packing partially into the bottom of the pump block so that the side that has the o-ring closest to the face of the packing faces up.

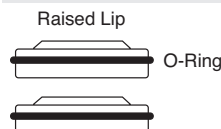
PL1800M/PL2800M

Install upper packing with raised lip facing down.



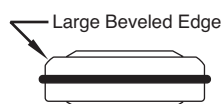
PL1800M

Install lower packings with raised lip and O-ring facing up.



PL2800M

Install lower packing with large beveled edge facing up.



15. Push the lower packing into position using the lower packing insertion tool (see Fluid Section Assembly parts list for lower packing insertion tool P/N).
16. Inspect the piston rod for wear and replace if necessary.

NOTE: Coat the piston guide tool and the piston rod with grease before inserting them into the pump block.

17. Place the piston insertion tool (included in the repacking kit) over the top of the piston rod.
18. Insert the piston rod into the bottom of the pump block, through the lower packing, through the upper packing, and out through the retainer nut. Using a rubber mallet, tap the bottom of the piston rod lightly until the piston rod is in position in the pump block.

NOTE: When repacking the fluid section, make sure the raised lip on the bottom of the lower packing is fully outside the packing around the piston rod after insertion of the piston rod.

19. Remove the piston insertion tool from the top of the piston rod.
20. Using a wrench, tighten the retainer nut into the pump block. Torque to 300-360 in. lbs.
21. Slide the top of the piston rod into the T-slot on the slider assembly.
22. Position the pump block underneath the gear box housing and push up until it rests against the gear box housing.

IMPORTANT: Make sure the transducer is aligned properly with the hole in the pump block during reassembly. Improper alignment may cause damage to the transducer gasket.

23. Thread the pump block mounting screws through the pump block and into the gear box housing. Torque to 400-440 in. lbs.
24. Reassemble the foot valve assembly into the pump block.

NOTE: During reassembly, make sure the o-ring between the pump block and foot valve housing is lubricated with grease and in position.

25. Thread the siphon tube into the foot valve housing and tighten securely. Make sure to wrap the threads on the siphon tube with Teflon tape before assembly. Replace the return hose into the clamp on the siphon tube.
26. Thread the return hose into the pump block and tighten securely.
27. Place the front cover on the gear box housing and secure in position using the four front cover screws.
28. Turn on the sprayer by following the procedure in the "Operation" section of this manual and check for leaks.

NOTE: Repacking kit P/N 730-401 (PL1800M) or 800-450 (PL2800M) is available. For best results use all parts supplied in this kit.

Troubleshooting

Problem	Cause	Solution
A. The unit will not run.	<ol style="list-style-type: none"> 1. The pressure is set too low. 2. Faulty or loose wiring. 3. The gas tank is empty. 	<ol style="list-style-type: none"> 1. Turn the pressure control knob clockwise to supply power to the unit and increase the pressure setting. 2. Inspect or take to a Titan authorized service center. 3. Fill the gas tank.
B. The unit will not prime.	<ol style="list-style-type: none"> 1. The PRIME/SPRAY valve is in the SPRAY position. 2. Air leak in the siphon tube/siphon set. 3. The pump filter and/or inlet screen is clogged. 4. The siphon tube/siphon set is clogged. 	<ol style="list-style-type: none"> 1. Rotate the PRIME/SPRAY valve clockwise to the PRIME position. 2. Check the siphon tube/siphon set connection and tighten or re-tape the connection with Teflon tape. 3. Remove the pump filter element and clean. Remove the inlet screen and clean. 4. Remove the siphon tube/siphon set and clean.
C. The unit will not build or maintain pressure.	<ol style="list-style-type: none"> 1. The spray tip is worn. 2. The spray tip is too large. 3. The pressure control knob is not set properly. 4. The pump filter, gun filter, or inlet screen is clogged. 5. Material flows from the return hose when the PRIME/SPRAY valve is in the SPRAY position. 6. Air leak in the siphon tube/siphon set. 7. There is external fluid leak. 8. There is an internal fluid section leak (packings are worn and/or dirty, valve balls are worn). 9. Worn valve seats 	<ol style="list-style-type: none"> 1. Replace the spray tip following the instructions that came with the spray gun. 2. Replace the spray tip with a tip that has a smaller orifice following the instructions that came with the spray gun. 3. Turn the pressure control knob clockwise to increase the pressure setting. 4. Remove the pump filter element and clean. Remove the gun filter and clean. Remove the inlet screen and clean. 5. Clean or replace the PRIME/SPRAY valve. 6. Check the siphon tube/siphon set connection and tighten or re-tape the connection with Teflon tape. 7. Check for external leaks at all connections. Tighten connections, if necessary. 8. Clean the valves and service the fluid section following the "Servicing the Fluid Section" procedure in the Maintenance section of this manual. 9. Reverse or replace the valve seats following the "Servicing the Fluid Section" procedure in the Maintenance section of this manual.
D. Fluid leakage at the upper end of the fluid section.	<ol style="list-style-type: none"> 1. The upper packings are worn. 2. The piston rod is worn. 	<ol style="list-style-type: none"> 1. Repack the pump following the "Servicing the Fluid Section" procedure in the Maintenance section of this manual. 2. Replace the piston rod following the "Servicing the Fluid Section" procedure in the Maintenance section of this manual.
E. Excessive surge at the spray gun.	<ol style="list-style-type: none"> 1. Wrong type of airless spray hose. 2. The spray tip worn or too large. 3. Excessive pressure. 	<ol style="list-style-type: none"> 1. Replace hose with a minimum of 50' of 1/4" grounded textile braid airless paint spray hose. 2. Replace the spray tip following the instructions that came with the spray gun. 3. Rotate the pressure control knob counterclockwise to decrease spray pressure.
F. Poor spray pattern.	<ol style="list-style-type: none"> 1. The spray tip is too large for the material being used. 2. Incorrect pressure setting. 3. Insufficient fluid delivery. 4. The material being sprayed is too viscous. 	<ol style="list-style-type: none"> 1. Replace the spray tip with a new or smaller spray tip following the instructions that came with the spray gun. 2. Rotate the pressure control knob to adjust the pressure for a proper spray pattern. 3. Clean all screens and filters. 4. Add solvent to the material according to the manufacturer's recommendations.
G. The unit lacks power.	<ol style="list-style-type: none"> 1. The pressure adjustment is too low. 	<ol style="list-style-type: none"> 1. Rotate the pressure control knob clockwise to increase the pressure setting.



Consignes de sécurité important · Lire toutes ces consignes avant d'utiliser l'appareil. GARDER CES CONSIGNES.



Indique une situation à risque, laquelle, si elle n'est pas évitée, peut entraîner des blessures graves, voire la mort.



Pour réduire les risques d'incendie ou d'explosion, de choc électrique et de blessure, vous devez lire et comprendre les directives figurant dans ce manuel. Familiarisez-vous avec les commandes et l'utilisation adéquate de l'équipement.



AVERTISSEMENT – Pour réduire le risque d'incendie ou d'explosion :



1. Ne pulvérisez pas de matières inflammables ou combustibles près d'une flamme nue, de voyants lumineux ou de sources d'ignition telles que des objets chauds, cigarettes, moteurs, matériel et appareils électriques. Évitez de produire des étincelles en connectant et en déconnectant les cordons électriques.
2. Pour les appareils destinés à n'utiliser que des produits à l'eau – Ne pulvérisez pas et ne les nettoyez pas avec des liquides inflammables. Exclusivement pour usage avec liquides à base d'eau.
3. Pour les appareils destinés à un usage exclusif avec des produits à l'eau ou des produits minéraux de type alcool avec un point d'éclair minimum de 21 °C (70 °F) – Ne pulvérisez pas et ne les nettoyez pas avec des liquides ayant un point d'éclair inférieur à 21 °C (70 °F). Le point d'éclair est la température à laquelle un fluide peut produire suffisamment de vapeur pour s'enflammer.
4. L'écoulement de peinture ou de solvant dans l'équipement peut produire de l'électricité statique. L'électricité statique crée un risque d'incendie ou d'explosion en présence de fumées de peinture ou de solvant. Toutes les pièces du système du pulvérisateur, y compris la pompe, l'ensemble du tuyau, le pistolet de pulvérisation et les objets dans et autour de la zone de pulvérisation doivent être correctement reliés à la terre pour protéger contre les décharges d'électricité statique et les étincelles. N'utilisez que des tuyaux conducteurs ou reliés à la terre pour pulvérisateurs de peinture sous vide à haute pression, spécifiés par le fabricant.
5. Vérifiez que tous les conteneurs ou systèmes de stockage sont reliés à la terre pour éviter les décharges d'électricité statique.
6. Connectez à une prise électrique avec prise de terre et utilisez des rallonges électriques reliées à la terre. N'utilisez pas d'adaptateur 3 à 2.
7. N'utilisez pas de peinture ou de solvant contenant du halon, par exemple, le chlore, les agents antimoisissure à l'eau de Javel, le chlorure de méthylène et le trichloroéthane. Ils ne sont pas compatibles avec l'aluminium. Contactez le fournisseur de revêtements pour connaître la compatibilité du matériau avec l'aluminium.
8. La zone de pulvérisation doit toujours être bien aérée. Une bonne quantité d'air frais doit constamment traverser la zone de pulvérisation pour éviter les accumulations de vapeurs inflammables. Le système de pompage doit être placé dans une zone bien aérée. Ne pulvérisez pas le système de pompage.
9. Ne fumez pas dans la zone de pulvérisation.
10. N'actionnez pas d'interrupteurs électriques, de moteurs ou autres dispositifs produisant des étincelles dans la zone de pulvérisation.
11. Maintenez la propreté de la zone et veillez à ce qu'elle ne contienne pas de conteneurs de peinture ou de solvant, de chiffons et autres matières inflammables.
12. Sachez ce que contiennent la peinture et les solvants pulvérisés. Lisez les fiches de sécurité du matériel (MSDS) et les étiquettes apposées sur les conteneurs de peintures et de solvants. Respectez les consignes de sécurité du fabricant de peinture et de solvant.

13. Placez la pompe à une distance minimum de 7,62 mètres (25 pieds) de l'objet à pulvériser, dans une zone bien aérée (ajoutez de la longueur de tuyau si besoin est). Les vapeurs inflammables sont souvent plus lourdes que l'air. La zone près du sol doit être très bien aérée. La pompe contient des pièces qui produisent des arcs et émettent des étincelles pouvant enflammer les vapeurs.
14. Le plastique peut causer des étincelles d'électricité statique. N'accrochez aucun plastique dans une zone de pulvérisation fermée. N'utilisez pas de toiles de protection en plastique quand vous pulvérisez une matière inflammable.
15. Ayez un extincteur en bon état de fonctionnement à portée de main.



AVERTISSEMENT – Pour réduire le risque de pénétration dans la peau :



DANGER :

Blessure par injection – Le jet de fluide à haute pression produit par cet équipement peut transpercer la peau et les tissus sous-jacents, ce qui produit de graves blessures et peut entraîner une amputation. Consultez immédiatement un médecin. NE TRAITÉZ PAS UNE INJECTION COMME UNE SIMPLE COUPURE.

1. Ne dirigez pas le pistolet sur et ne pulvérisez pas les personnes ou les animaux.
2. N'approchez pas les mains ni d'autres parties du corps de la sortie du produit. Par exemple, ne tentez pas d'arrêter une fuite avec une partie du corps.
3. Utilisez toujours le protège-embout de la buse. Ne pulvérisez pas sans que le protège-embout de la buse ne soit installé.
4. Utilisez exclusivement un embout de buse spécifié par le fabricant.
5. Prenez garde quand vous nettoyez ou que vous changez les embouts de buse. Si l'embout se bouche pendant que vous pulvérisez, verrouillez TOUJOURS la détente du pistolet, arrêtez la pompe et libérez toute la pression avant de réparer ou de nettoyer l'embout ou le protecteur ou avant de changer d'embout. La pression n'est pas libérée par l'arrêt du moteur. La poignée du robinet-valve PRIME/SPRAY (AMORÇAGE/ PULVÉRISATION) doit être placée sur PRIME pour libérer la pression. Consultez la PROCÉDURE DE LIBÉRATION DE PRESSION décrite dans le manuel de la pompe.
6. Ne laissez pas l'appareil sous tension ou sous pression quand vous vous en éloignez. Quand vous n'utilisez pas l'appareil, éteignez-le et libérez la pression conformément aux instructions du fabricant.
7. La pulvérisation à haute pression peut injecter des toxines dans le corps et causer de graves blessures corporelles. Si une telle injection se produisait, consultez immédiatement un médecin.
8. Vérifiez les tuyaux et les pièces pour détecter des signes d'endommagement : une fuite peut injecter le produit dans la peau. Inspectez le tuyau avant chaque emploi. Changez tous les tuyaux ou pièces endommagés.
9. Ce système peut produire une pression de 3300 PSI / 22.8 MPa. N'utilisez que les pièces de rechange ou les accessoires spécifiés par le fabricant et ayant une pression nominale minimum de 3300 PSI. Ceci est valable pour les embouts de pulvérisation, les protecteurs de buse, les pistolets, les rallonges, les raccords et le tuyau.
10. Verrouillez toujours la détente quand vous ne pulvérisez pas. Vérifiez que le verrou de la détente fonctionne correctement.
11. Vérifiez que toutes les connexions sont bien serrées avant d'utiliser l'appareil.
12. Sachez comment arrêter l'appareil et le dépressuriser rapidement. Soyez bien familiarisé avec les commandes. La pression n'est pas libérée lorsque le moteur est arrêté. La poignée du robinet-valve PRIME/SPRAY (AMORÇAGE/ PULVÉRISATION) doit être placée sur PRIME pour libérer la



Consignes de sécurité important · Lire toutes ces consignes avant d'utiliser l'appareil. GARDER CES CONSIGNES.

pression. Consultez la PROCÉDURE DE LIBÉRATION DE PRESSION décrite dans le manuel de la pompe.

- Retirez toujours l'embout de pulvérisation avant de rincer ou de nettoyer le système.



AVERTISSEMENT – Pour réduire le risque de blessure :

- Portez toujours les gants, la protection oculaire, les vêtements et un respirateur ou masque appropriés quand vous peignez. Vapeurs dangereuses – Les peintures, solvants, insecticides et autres matières peuvent être dangereux s'ils sont inhalés ou entrent en contact avec le corps. Les vapeurs peuvent provoquer d'importantes nausées, une perte de connaissance ou un empoisonnement.
- Ne travaillez pas et ne pulvérisez pas près d'enfants. Éloignez toujours les enfants de l'équipement.
- Ne travaillez pas avec les bras au-dessus de la tête ni sur un support instable. Appuyez-vous bien sur les deux pieds pour toujours conserver l'équilibre.
- Soyez attentif et regardez ce que vous faites.
- N'utilisez pas l'appareil quand vous êtes fatigué ou sous l'influence de drogues ou d'alcool.
- Ne faites pas de nœuds avec le tuyau et ne le tordez pas trop. Le tuyau à vide peut présenter des fuites suite à l'usure, les nœuds ou les mauvais traitements. Une fuite risque d'injecter du produit dans la peau.
- N'exposez pas le tuyau à des températures ou des pressions supérieures à celles spécifiées par le fabricant.
- N'utilisez pas le tuyau pour tirer ou soulever l'équipement.
- Utilisez la plus basse pression possible pour rincer l'équipement.
- Respectez tous les codes locaux, étatiques et nationaux qui régulent la ventilation, la prévention d'incendies et le fonctionnement.
- Les normes de sécurité du gouvernement des États-Unis ont été adoptées dans la loi Occupational safety and Health Act (OSHA). Ces normes, en particulier la partie 1910 des Normes générales et la partie 1926 des Normes de construction, doivent être consultées.
- Avant chaque emploi, vérifiez tous les tuyaux pour détecter d'éventuelles coupures, fuites, abrasion ou couvercle bombé. Vérifiez l'état ou le mouvement des accouplements. Changez immédiatement le tuyau si l'une de ces conditions est vérifiée. Ne réparez jamais un tuyau de peinture. Remplacez-le par un tuyau conducteur à haute pression.
- Ne pulvérisez pas à l'extérieur par temps venteux.
- Débranchez toujours le cordon électrique de la prise avant de travailler sur l'équipement.

IMPORTANT: Ne pas soulever par la poignée du chariot lors du chargement ou du déchargement.

Sécurité du moteur à essence



L'État de la Californie reconnaît que les gaz d'échappement de cet appareil contiennent des produits chimiques susceptibles de causer le cancer, des malformations congénitales ou pouvant être nocifs pour le système reproducteur.

- Les moteurs Robin-Subaru sont conçus pour être fiables et sécuritaires lorsqu'ils sont utilisés selon les directives. Lire et comprendre le guide d'utilisation de Robin-Subaru avant de faire fonctionner le moteur. Le non-respect de cet avertissement risque de causer des blessures graves ou d'endommager l'appareil.
- Afin de prévenir les risques d'incendie et d'assurer une ventilation adéquate, garder le moteur à une distance d'au moins un mètre (3 pi) des bâtiments et des autres appareils durant le

fonctionnement. Ne pas placer des objets inflammables près du moteur.

- Les enfants et les animaux doivent être tenus à l'écart de la zone de fonctionnement de l'appareil afin d'éviter les risques de brûlures causées par les composants chauds du moteur ou par les équipements utilisés avec le moteur.
- Savoir comment couper le moteur rapidement et bien comprendre le fonctionnement de toutes les commandes. Ne jamais laisser quiconque utiliser le moteur sans lui avoir d'abord fourni les directives appropriées.
- Le carburant est une matière extrêmement inflammable et peut exploser sous certaines conditions.
- Ravitailer en carburant dans un endroit bien aéré une fois le moteur arrêté. Ne pas fumer et s'assurer qu'il n'y ait ni flammes ni étincelles dans la zone de ravitaillement ou d'entreposage du carburant.
- Ne pas trop remplir le réservoir d'essence. Après le ravitaillement, s'assurer que le bouchon du réservoir soit bien fermé et serré.
- Prendre soin de ne pas renverser de carburant lors du ravitaillement, car les vapeurs émanant du carburant ou le carburant déversé accidentellement peuvent s'enflammer. En cas de déversement, s'assurer que l'endroit soit complètement sec avant de démarrer le moteur.
- Ne jamais mettre le moteur en marche dans un endroit fermé ou restreint, car les gaz d'échappement contiennent des matières toxiques, telles que le monoxyde de carbone, susceptibles de provoquer des évanouissements ou même d'entraîner la mort.
- Le silencieux devient très chaud durant le fonctionnement et le demeure pendant un certain temps une fois le moteur arrêté. S'assurer d'attendre quelques minutes avant de toucher au silencieux. Pour éviter les risques de brûlures graves ou d'incendie, laisser le moteur se refroidir avant de le transporter ou de l'entreposer à l'intérieur.
- Ne jamais expédier ou transporter l'appareil lorsque le réservoir est rempli de carburant.



Ne pas utiliser cet appareil pour vaporiser de l'eau ou de l'acide.

Spécifications

PowrLiner1800M

Débit (GPM).....	0,50 (1,90 LPM)
Embout, dimension maximale	0,023"
Pression maximale	3 300 PSI (22,8 MPa)
Puissance	moteur à essence de 4,3 HP (Robin-Subaru)
Poids	120 lbs. (54,4 kg)

PowrLiner2800M

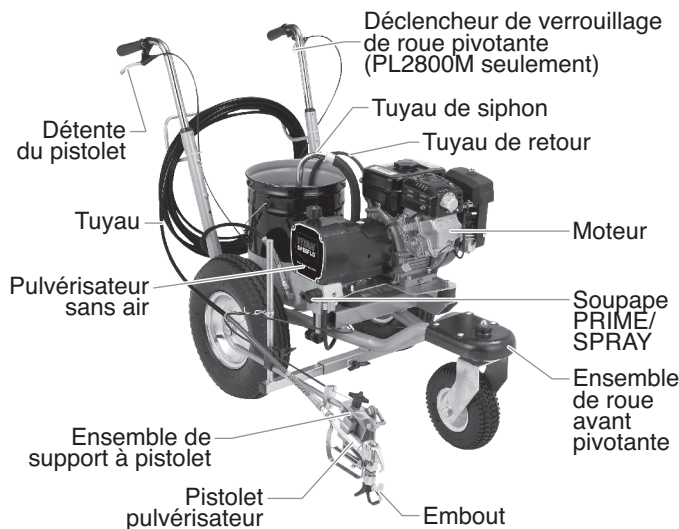
Débit (GPM).....	0,85 (3,22 LPM)
Embout, dimension maximale	0,030"
Pression maximale	3 300 PSI (22,8 MPa)
Puissance	moteur à essence de 4,3 HP (Robin-Subaru)
Poids	138 lbs. (62,6 kg)

Table des matières

Consignes de sécurité	16
Spécifications	17
Description générale	18
Fonctionnement.....	18
Remplissage de carburant	18
Vérifications préliminaires	19
Préparation avant de peindre	20
Peinture	20
Fonctionnement de la roue avant pivotante	21
Procédure de décompression	21
Nettoyage	22
Nettoyage de l'embout	22
Maintenance.....	23
Généralités concernant la maintenance.....	23
Entretien du moteur.....	23
Nettoyage ou remplacement du filtres.....	24
Remplacement de la soupape PRIME/SPRAY	24
Remplacement le interrupteur ON/OFF	24
Remplacement des engrenages et/ou du coulisseau	25
Remplacement du transducteur	26
Entretien du bloc d'embrayage.....	26
Maintenance de la section des liquides.....	29
Dépannage	31
Liste de pièces.....	48
Vue d'ensemble.....	48
Boîte d'engrenages	50
Section de liquides (PL1800M)	52
Section de liquides (PL2800M)	54
Ensembles de chariot.....	56
Ensembles de roue avant.....	58
Ensemble de support à pistolet.....	60
Ensemble de frein (PL2800M).....	60
Ensemble de siphon.....	60
Accessoires	62
Garantie	64

Description générale

Cet appareil à peindre les lignes sans air est un outil mécanique de précision utilisé pour pulvériser toutes sortes de matériaux pour différentes applications telles que les parcs de stationnement, les bordures de trottoir et les terrains de sport. Lire et suivre ce manuel d'instructions attentivement afin de connaître la notice d'utilisation, la maintenance et les consignes de sécurité de l'appareil.



Cet appareil produit un jet à très haute pression; avant de le faire fonctionner, il est donc essentiel de lire et de comprendre les avertissements formulés dans la section Consignes de sécurité à l'avant de ce manuel.

Fonctionnement

Remplissage de carburant (moteur à carburant)



L'essence est extrêmement inflammable et explosive dans certaines conditions.

- Éteignez TOUJOURS le moteur avant de remplir le réservoir.
- Remplissez le réservoir de carburant dans un endroit bien aéré.
- Ne fumez pas et évitez toutes flammes ou étincelles dans la zone de remplissage de carburant ou dans une zone de stockage du carburant.
- Veillez à ne pas faire déborder le réservoir de carburant. Après remplissage, assurez-vous que le bouchon du réservoir est solidement vissé.
- Faites attention à ne pas renverser de carburant lors du remplissage du réservoir. Les vapeurs ou les éclaboussures de carburant peuvent s'enflammer. En cas d'éclaboussures, assurez-vous que la zone est bien sèche avant de faire démarrer le moteur.
- Évitez l'inhalation répétée ou prolongée de brume ou de vapeur et tout contact avec la peau.
- Tenez à l'écart des enfants.

Spécifications de carburant

- Utilisez du carburant automobile avec un indice d'octane à la pompe de 86 ou plus, ou avec un indice d'octane recherche de 91 ou plus. L'utilisation d'un carburant avec un indice d'octane inférieur peut provoquer des « cliquetis » ou des « détonations » fortes (martèlement métallique) qui peuvent à leur tour endommager le moteur.

NOTA : En cas de « détonations » ou de « cliquetis » sur un moteur à vitesse faible et normalement chargé, changez de marque de carburant. Si les cliquetis ou les détonations persistent, consultez le concessionnaire agréé du fabricant du moteur. Le non-respect de cette consigne est considéré comme une utilisation incorrecte et les dommages subis en cas d'utilisation incorrecte ne sont pas couverts par la garantie limitée du fabricant du moteur.

Vous pouvez à l'occasion observer de faibles détonations lorsque la pompe travaille avec des charges très importantes. Cela est normal, il signifie simplement que votre moteur fonctionne de manière efficace.

- Le carburant sans plomb produit moins de dépôts et accroît la durée de vie des pièces du circuit d'échappement.
- N'utilisez jamais de carburant altéré, contaminé ou de mélange huile/essence. Évitez l'accumulation de poussière, de saleté ou la pénétration d'eau dans le réservoir.

Essences qui contiennent de l'alcool

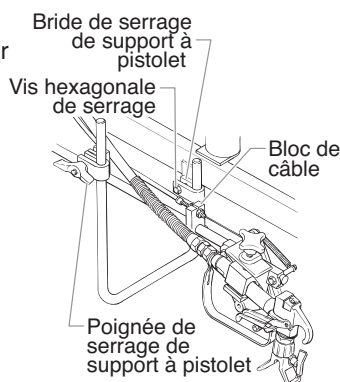
Si vous décidez d'utiliser une essence qui contient de l'alcool (essence-alcool), assurez-vous que l'indice d'octane est au moins aussi élevé que celui recommandé par le fabricant du moteur. Il existe deux types « d'essence-alcool » : l'un contient de l'éthanol et l'autre du méthanol. N'utilisez pas d'essence-alcool contenant plus de 10 % d'éthanol. N'utilisez jamais d'essence au méthanol (alcool méthylique ou alcool de bois) si elle ne contient pas également des cosolvants et des inhibiteurs de corrosion pour le méthanol. N'utilisez pas d'essence contenant plus de 5 % de méthanol, même en présence de cosolvants et d'inhibiteurs de corrosion.

NOTA : L'endommagement du circuit d'alimentation ou des problèmes liés au rendement du moteur attribuables à l'utilisation de carburants contenant de l'alcool ne sont pas couverts par la garantie. Le fabricant du moteur ne peut être tenu responsable de l'utilisation de carburants au méthanol compte tenu que les essais de convenance sont incomplets en ce moment. Avant d'acheter de l'essence dans une station-service autre que celle que vous utilisez habituellement, renseignez-vous pour savoir si l'essence contient de l'alcool. Si tel est le cas, vérifiez le type et le pourcentage d'alcool utilisé. Si vous observez un fonctionnement anormal lorsque vous utilisez de l'essence contenant de l'alcool, ou dont vous pensez qu'elle contient de l'alcool, remplacez-la par de l'essence sans alcool.

Vérifications préliminaires

Procédures à suivre avant de démarrer le moteur à essence de l'appareil à peindre des lignes.

- Vérifier que le tuyau-siphon et le tuyau de retour sont bien attachés.
- Mettre en place le pistolet pulvérisateur.
 - Desserrer la vis hexagonale de la bride de serrage du support et tourner la barre du support à pistolet à la position désirée. Resserrer la vis hexagonale.
 - Desserrer la poignée de serrage du support à pistolet et glisser le pistolet pulvérisateur dans la position verticale ou horizontale désirée (vers l'avant ou l'arrière). Resserrer la poignée.
- Tourner le bouton de régulation de la pression à fond dans le sens inverse des aiguilles d'une montre jusqu'au minimum.
- S'assurer que l'interrupteur MARCHE/ARRÊT est réglé à la position ARRÊT.
- Remplir la coupelle à l'huile de la section de liquide : environ une cuillère à soupe de lubrifiant à joint de piston (lubrifiant à piston).



NOTA : La hauteur du pistolet pulvérisateur modifie la largeur du jet (c'est-à-dire, plus le pistolet est bas, plus la ligne sera étroite). La grosseur de l'embout modifie également la largeur de la ligne.

IMPORTANT : Ne jamais utiliser l'appareil plus de dix secondes s'il n'y a pas de liquide. L'utilisation de l'appareil sans liquide peut user prématurément les garnitures.

- Vérifier le niveau d'huile du moteur. Le niveau d'huile du moteur à essence est déterminé par le fabricant. Se reporter au manuel du fabricant du moteur (fourni).
- Fermer le levier de fermeture du carburant et verser de l'essence dans le réservoir. Utiliser seulement une essence de haute qualité, sans plomb.

NOTA : La barre du support à pistolet et le pistolet pulvérisateur peuvent être montés d'un côté ou de l'autre du pulvérisateur. Pour changer la barre du support à pistolet :

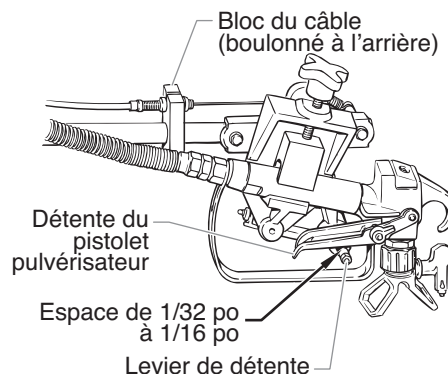
- enlever la vis hexagonale de serrage du support et l'écrou;
- déplacer la barre du support à pistolet de l'autre côté du chariot;
- aligner la bride de serrage du support et la ferrure sur le chariot;
- visser la vis hexagonale de serrage dans la bride de serrage du support à pistolet et dans la ferrure sur le chariot. Placer l'écrou au bout de la vis hexagonale de serrage et resserrer.

Régler la tension de la détente

Procédures à suivre pour régler le levier de tension à ressort de la détente sur le support à pistolet. Le levier de détente tire et relâche la détente du pistolet pulvérisateur lorsque la détente sur le chariot est utilisée. Le réglage de la tension permet de s'assurer que le pistolet se ferme lorsque la détente du pistolet est relâchée. Pour s'assurer du bon réglage de la tension, vérifier qu'il y a environ de 1/32 po à 1/16 po d'espace entre le levier de détente et la détente du pistolet pulvérisateur.

IMPORTANT : La détente du pistolet doit toujours être verrouillée lorsque l'on procède au réglage du système.

- À l'aide d'une clé, dévisser le boulon sur le bloc du câble.
- Déplacer le bloc du câble dans la direction appropriée afin de créer un espace de 1/32 po à 1/16 po entre le levier de détente et la détente du pistolet pulvérisateur.
 - Glisser le bloc de câble vers le pistolet pour augmenter l'espace entre le levier de détente et la détente du pistolet pulvérisateur.
 - Éloigner le bloc de câble du pistolet pour réduire l'espace entre le levier de détente et la détente du pistolet pulvérisateur.



- Resserrer la vis pression.

Préparation d'un nouveau vaporisateur

Si cet appareil est neuf, il contient encore un liquide d'essai mis en usine pour le protéger de la corrosion en cours d'expédition ou d'entreposage. Ce liquide doit être complètement éliminé au moyen d'essence minérale avant que l'appareil puisse être utilisé.

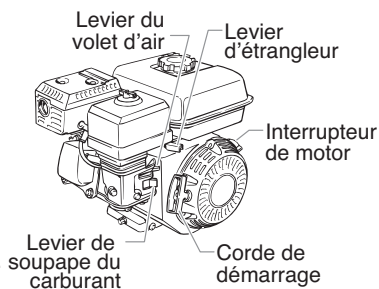
IMPORTANT : La détente du pistolet doit toujours être verrouillée lorsqu'on procède à ces vérifications préliminaires.

- Placer le tube-siphon dans un contenant d'essence minérale ayant un point d'inflammabilité de 60 °C (140 °F) ou plus.
- Placer le tuyau de retour dans un contenant de vidange en métal.
- Tourner le bouton de régulation de la pression à fond dans le sens inverse des aiguilles d'une montre jusqu'au minimum.
- Mettre la soupape PRIME/SPRAY à la position PRIME.

5. Mettre l'interrupteur MARCHE/ARRÊT du moteur à la position MARCHE.

6. Pour procéder au démarrage du moteur :

- Ouvrir le levier de soupape du carburant.
- Éloigner le levier d'étrangleur du réservoir à essence.
- Fermer le levier du volet d'air du moteur.
- Tout en tenant le châssis avec une main, tirer rapidement et avec force la corde de démarrage. Ne pas lâcher la corde quand elle se replie. Répéter la manœuvre jusqu'à ce que le moteur démarre.



7. Mettre le pulvérisateur en marche en mettant l'interrupteur MARCHE/ARRÊT à la position MARCHE.

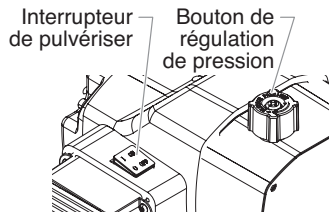
8. Tourner lentement le bouton de régulation de la pression dans le sens des aiguilles d'une montre

en vue d'augmenter la pression jusqu'à ce que le liquide commence à sortir du tuyau de retour. Utiliser une pression suffisante pour que le liquide continue à sortir.

9. Laisser le pulvérisateur en marche pendant 15 à 30 secondes pour purger le liquide d'essai à travers le tuyau de retour dans le contenant de vidange.

10. Tourner à fond le bouton de régulation de la pression dans le sens inverse des aiguilles d'une montre jusqu'au minimum.

11. Arrêter le pulvérisateur en mettant l'interrupteur MARCHE/ARRÊT du pulvérisateur à la position ARRÊT.



Préparation avant de peindre

Avant de peindre, il est important de s'assurer que le liquide dans l'appareil est compatible avec le produit à utiliser.

NOTA : L'incompatibilité liquide/produit peut provoquer le blocage des soupapes, ce qui entraînerait le besoin de démonter et de nettoyer la section des liquides du vaporisateur.

IMPORTANT : La détente du pistolet doit toujours être verrouillée lorsqu'on procède à ces vérifications préliminaires.

- Placer le tube-siphon dans un contenant rempli du solvant approprié au matériel à pulvériser (se reporter aux recommandations du fabricant du matériel). Par exemple, l'eau est un solvant approprié pour la peinture au latex.
- Placer le tuyau de retour dans un contenant de vidange en métal.
- Tourner le bouton de régulation de la pression à fond dans le sens inverse des aiguilles d'une montre jusqu'au minimum.
- Mettre la soupape PRIME/SPRAY à la position PRIME.

NOTA : Tenez le tube de retour dans le conteneur de déchets en faisant passer le PRIME / SPRAY soupape de PRIME dans le cas où le pulvérisateur est sous pression.

- Mettre l'interrupteur MARCHE/ARRÊT du moteur à la position MARCHE.
- Pour procéder au démarrage du moteur :
 - Ouvrir le levier de soupape du carburant.
 - Éloigner le levier d'étrangleur du réservoir à essence.
 - Fermer le levier du volet d'air du moteur.
 - Tout en tenant le châssis avec une main, tirer rapidement et avec force la corde de démarrage. Ne pas lâcher la corde quand elle se replie. Répéter la manœuvre jusqu'à ce que le moteur démarre.

7. Mettre l'interrupteur hors tension (position ARRÊT).

8. Tourner lentement le bouton de régulation de la pression dans le sens des aiguilles d'une montre en vue d'augmenter la pression jusqu'à ce que le liquide commence à jaillir du tuyau de retour. Utiliser une pression suffisante pour que le liquide continue à jaillir.

9. Laisser le pulvérisateur en marche pendant 15 à 30 secondes pour purger le solvant usé à travers le tuyau de retour dans le contenant de vidange.

10. Tourner à fond le bouton de régulation de la pression dans le sens inverse des aiguilles d'une montre jusqu'au minimum.

11. Arrêter le pulvérisateur en mettant l'interrupteur MARCHE/ARRÊT à la position ARRÊT.

NOTA : S'assurer que l'embout ou le protège-embout ne soient pas installés.

12. Placer la soupape PRIME/SPRAY à la position SPRAY.

13. Mettre le pulvérisateur en marche.

14. Tourner lentement le bouton de régulation de la pression dans le sens des aiguilles d'une montre pour augmenter la pression.

15. Déverrouiller le pistolet en plaçant le verrou de la détente dans la position de déverrouillage.



On doit mettre le pistolet à la terre en le tenant contre le bord du contenant de purge métallique pendant qu'il se vide afin d'éviter les risques de décharges électro- statiques, lesquelles peuvent provoquer un incendie.



16. Pointer le pistolet vers le contenant de vidange en métal et serrer la détente pour purger complètement le solvant usé et permettre le passage du solvant frais dans le pistolet.

17. Verrouiller le pistolet en tournant le verrou de la détente dans la position de verrouillage.

18. Déposer le pistolet et augmenter la pression en tournant lentement le bouton de régulation de la pression dans le sens des aiguilles d'une montre jusqu'au maximum.

19. Vérifier l'absence de fuite sur l'ensemble de l'appareil. En cas de fuite, arrêter le pulvérisateur et suivre la procédure de décompression de ce manuel avant de visser tous les raccords ou les tuyaux.

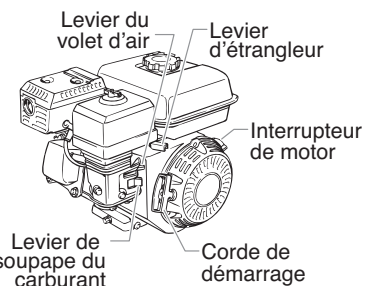
20. Suivre la procédure de décompression de ce manuel avant de passer du solvant à la peinture.



On doit effectuer la procédure de décompression chaque fois qu'on arrête l'appareil pour en faire la maintenance, en changer les réglages de vaporisation, en remplacer/ nettoyer les embouts ou en effectuer la préparation en vue d'un nettoyage.

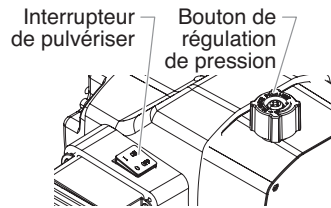
Peinture

- Placer le tube-siphon dans un contenant de peinture.
- Placer le tuyau de retour dans un contenant de vidange en métal.
- Tourner à fond le bouton de régulation de la pression dans le sens inverse des aiguilles d'une montre jusqu'au minimum.
- Mettre la soupape PRIME/SPRAY à la position PRIME.
- Mettre l'interrupteur MARCHE/ARRÊT du moteur à la position MARCHE.
- Pour procéder au démarrage du moteur :
 - Ouvrir le levier de soupape du carburant.
 - Éloigner le levier d'étrangleur du réservoir à essence.
 - Fermer le levier du volet d'air du moteur.



- d. Tout en tenant le châssis avec une main, tirer rapidement et avec force la corde de démarrage. Ne pas lâcher la corde quand elle se replie. Répéter la manœuvre jusqu'à ce que le moteur démarre.

7. Mettre le pulvérisateur en marche en mettant l'interrupteur MARCHÉ/ARRÊT à la position MARCHÉ.



8. Tourner lentement le bouton de régulation de la pression dans le sens des aiguilles d'une montre en vue d'augmenter la pression jusqu'à ce que le liquide commence à jaillir du tuyau de retour. Utiliser une pression suffisante pour que le liquide continue à jaillir.
9. Laisser le pulvérisateur en marche jusqu'à ce que la peinture commence à sortir du tuyau de retour pour se déverser dans le contenant de vidange en métal.
10. Tourner à fond le bouton de régulation de la pression dans le sens inverse des aiguilles d'une montre jusqu'au minimum.
11. Arrête le pulvérisateur en mettant l'interrupteur MARCHÉ/ARRÊT à la position ARRÊT.
12. Retirer le tuyau de retour du contenant de vidange et le placer dans sa position de fonctionnement, au-dessus du contenant de peinture.
13. Régler la soupape PRIME/SPRAY à SPRAY.
14. Mettre le pulvérisateur en marche.
15. Tourner lentement le bouton de régulation de la pression dans le sens des aiguilles d'une montre pour augmenter la pression.
16. Déverrouiller le pistolet en plaçant le verrou de la détente dans la position de déverrouillage.



On doit mettre le pistolet à la terre en le tenant contre le bord du contenant de purge métallique pendant qu'il se vide afin d'éviter les risques de décharges électrostatiques, lesquelles peuvent provoquer un incendie.



17. Pointer le pistolet dans le contenant de vidange en métal et serrer la détente pour purger tout l'air et le solvant du tuyau de pulvérisation et que la peinture s'échappe librement du pistolet.
18. Verrouiller le pistolet en tournant le verrou de la détente dans la position de verrouillage.
19. Tourner à fond le bouton de régulation de la pression dans le sens inverse des aiguilles d'une montre jusqu'au minimum de pression.
20. Arrête le pulvérisateur.
21. Visser le protège-embout et l'embout sur le pistolet en suivant les instructions contenues dans les sections du manuel portant sur le protège-embout et l'embout.



RISQUES D'INJECTION. Ne pas vaporiser sans avoir installé le protège-embout. Ne jamais appuyer sur la détente sans avoir mis l'embout en position de vaporisation ou de désobstruction. Toujours enclencher le verrou de détente avant de retirer, de remplacer ou de nettoyer l'embout.

22. Mettre le pulvérisateur en marche.
23. Augmenter la pression en tournant lentement le bouton de régulation de la pression dans le sens des aiguilles d'une montre. Vérifier la forme du jet et la position de la ligne sur un long morceau de feutre pour toiture ou sur du carton.
- a. Régler le bouton de régulation de la pression pour obtenir la forme de jet recherchée. Maintenir le bouton de régulation de la pression au minimum pour une bonne pulvérisation.

NOTA : Si la pression est trop élevée, l'embout subira une usure prématurée et produira des éclaboussures de surpulvérisation.

- b. Vérifier la largeur et la position de la ligne. Pour régler la position du pistolet pulvérisateur, se reporter à la procédure « Vérifications préliminaires » de cette section.
24. S'assurer que le pistolet pulvérisateur est complètement fermé lorsque la détente du pistolet est relâchée. Pour régler la tension de la détente, se reporter à la procédure « Régler la tension de la détente » de cette section.

Fonctionnement de la roue avant pivotante

PowrLiner 1800M

La roue avant pivotante du chariot permet de pulvériser tant des lignes droites que d'autres formes de ligne.

1. Pour des lignes droites, verrouiller la roue avant pivotante en tournant le levier sur la roue pivotante dans le sens des aiguilles d'une montre jusqu'au bout.
2. Pour d'autres formes de ligne, tourner le levier sur la roue pivotante dans le sens des aiguilles d'une montre d'environ 1/2 tour ou jusqu'à ce que la roue pivotante tourne librement.

PowrLiner 2800M

La roue avant pivotante du chariot permet de pulvériser une ligne droite ou d'autres formes de ligne. Lorsqu'on est debout derrière le pulvérisateur, le déclencheur de verrouillage sur la poignée gauche du chariot contrôle le fonctionnement de la roue avant pivotante.

1. Pour des lignes droites, verrouiller la roue avant pivotante en pressant, puis en relâchant le déclencheur de verrouillage de la roue et avancer le pulvérisateur.
2. Pour un mouvement libre de la roue avant pivotante, presser et tenir le déclencheur de verrouillage de la roue pivotante.

NOTA : Pour verrouiller la roue avant pivotante pour d'autres formes de lignes que les lignes droites, presser et tenir le déclencheur de verrouillage de la roue pivotante et enfoncer le bouton de blocage sur le côté du déclencheur. Une fois le bouton de blocage enfoncé, le déclencheur de verrouillage de la roue pivotante peut être relâché. Pour relâcher la tige de blocage, presser de nouveau le déclencheur de verrouillage de la roue pivotante.

Procédure de décompression



On doit effectuer la procédure de décompression chaque fois qu'on arrête l'appareil pour en faire la maintenance, en changer les réglages de vaporisation, en remplacer/ nettoyer les embouts ou en effectuer la préparation en vue d'un nettoyage.

1. Verrouiller le pistolet en mettant le verrou de détente à la position appropriée.
2. Arrêter l'appareil en mettant le commutateur à la position OFF.
3. Placer l'interrupteur MARCHÉ/ARRÊT à la position MARCHÉ et démarrer le moteur.
4. Tourner à fond le bouton de régulation de la pression dans le sens inverse des aiguilles d'une montre jusqu'au minimum.
5. Déverrouiller le pistolet en mettant le verrou de détente à la position appropriée.
6. Tenir fermement la partie métallique du pistolet contre le bord d'un contenant métallique afin d'éviter une accumulation d'électricité statique.
7. Appuyer sur la détente du pistolet afin de purger tout l'air restant dans le flexible.
8. Verrouiller le pistolet en mettant le verrou de détente à la position appropriée.
9. Abaisser la soupape PRIME/SPRAY à la position PRIME.



Nettoyage



Directives particulières pour le nettoyage au moyen de solvants inflammables :

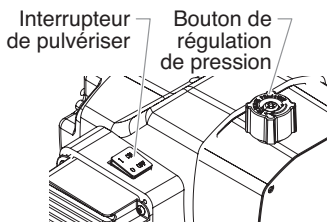
- Purger le pistolet à l'extérieur de préférence, à une distance d'au moins une longueur de flexible de la pompe.
- Si le solvant usé est recueilli dans un contenant métallique de 4 litres (1 gallon), celui-ci doit être inséré dans un second contenant d'au moins 20 litres (5 gallons).
- L'endroit choisi doit être exempt de vapeurs inflammables.
- On doit suivre les directives de nettoyage à la lettre.

IMPORTANT : Le vaporisateur, le flexible et le pistolet doivent être nettoyés en profondeur après chaque journée d'utilisation et ce, afin d'éviter les accumulations de produit susceptibles de nuire grandement au rendement de l'appareil.



Lorsqu'on se sert d'essence minérale ou d'autres solvants pour nettoyer le vaporisateur, le flexible ou le pistolet, on doit régler la pression au minimum et retirer l'embout de la buse du pistolet. L'accumulation d'électricité statique risque de provoquer des incendies en présence de vapeurs inflammables.

1. Suivre la Procédure de décompression à la section Fonctionnement du présent manuel.
2. Retirer l'embout et le protège-embout, et les nettoyer au moyen d'une brosse et du solvant approprié.
3. Placer le tube-siphon dans un contenant rempli du solvant approprié (se reporter aux recommandations du fabricant du matériel). Par exemple, l'eau est un solvant approprié pour la peinture au latex.
4. Mettre le flexible de retour dans un contenant de purge métallique.
5. Abaisser la soupape PRIME/SPRAY à la position PRIME.
6. Placer l'interrupteur MARCHE/ARRÊT à la position MARCHE et démarrer le moteur.
7. Mettre l'appareil en marche en mettant le commutateur à la position ON.
8. Tourner lentement le bouton de régulation de la pression dans le sens des aiguilles d'une montre pour augmenter la pression jusqu'à ce que le liquide commence à s'échapper du tuyau de retour.
9. Laisser le solvant circuler dans l'appareil pour évacuer le produit de peinture par le flexible de retour, jusqu'au contenant de purge.
10. Tourner à fond le bouton de régulation de la pression dans le sens inverse des aiguilles d'une montre jusqu'au minimum.
11. Arrêter l'appareil en mettant le commutateur à la position OFF.
12. Soulever la soupape PRIME/SPRAY à la position SPRAY.
13. Mettre l'appareil en marche.
14. Tourner lentement le bouton de régulation de la pression dans le sens des aiguilles d'une montre pour augmenter la pression.



On doit mettre le pistolet à la terre en le tenant contre le bord du contenant de purge métallique pendant qu'il se vide afin d'éviter les risques de décharges électrostatiques, lesquelles peuvent provoquer un incendie.



15. Appuyer sur la détente en visant le contenant métallique pour purger le produit du flexible, jusqu'à ce que le solvant s'écoule du pistolet.

16. Continuer d'appuyer sur la détente, en direction du contenant métallique, jusqu'à ce que le solvant évacué soit propre.

NOTA : Pour l'entreposage à long terme en milieu froid, remplir tous les composants de l'appareil d'essence minérale.

17. Suivre la Procédure de décompression à la section Fonctionnement du présent manuel.
18. Débrancher l'appareil et le ranger dans un endroit propre et sec.

IMPORTANT : Ne pas ranger l'appareil sous pression.

Nettoyage de l'embout

1. Purger le pistolet avec le solvant immédiatement après avoir terminé le travail.
2. Appliquer de l'huile sur les tiges coulissantes pour les empêcher de se bloquer.

Si l'embout de pulvérisation est obstrué, il faut le renverser avec le levier et serrer la détente du pistolet. Une fois l'obstruction expulsée de l'embout, lâcher la détente, remettre l'embout en place en le réglant sur la forme de jet et reprendre la pulvérisation.



Ne pas tenter de débloquer ou de nettoyer l'embout avec le doigt.

Ne pas utiliser une aiguille ou un objet pointu pour nettoyer l'embout. Le carbure de tungstène pourrait s'écailler.

Maintenance



Avant de procéder, on doit suivre les directives de la section Procédure de décompression du présent manuel. On doit également respecter tous les autres avertissements si on veut éviter les blessures par injection, par contact avec une pièce mobile ou par choc électrique.

NOTA : Tous les travaux concernant les moteurs Robin-Subaru doivent être effectués par un centre de service autorisé de Robin-Subaru.

Généralités concernant la maintenance

Pour réparer ou entretenir le vaporisateur, on pourrait avoir à recourir aux outils suivants :

Tournevis étoile	Clé hexagonale de 1,0 cm (3/8 po)
Pince à bec pointu	Clé hexagonale de 0,8 cm (5/16 po)
Clé à ouverture variable	Clé hexagonale de 0,6 cm (1/4 po)
Maillet en caoutchouc	Clé hexagonale de 0,5 cm (3/16 po)
Tournevis plat	Clé hexagonale de 0,3 cm (1/8 po)
Clé ouverte de 1/2 po	Clé ouverte de 7/8 po

1. Avant de procéder à la maintenance de n'importe quel composant du vaporisateur, il faut lire attentivement les directives ainsi que tous les avertissements qu'elles contiennent.

IMPORTANT : Ne jamais tirer sur le cordon pour le débrancher, ce qui pourrait détacher le connecteur des fils.

2. Vérifier les résultats de la maintenance effectuée avant d'utiliser le vaporisateur en conditions normales afin de s'assurer que le problème ait bel et bien été corrigé. Si le vaporisateur ne fonctionne toujours pas comme il faut, repasser la procédure pour s'assurer qu'elle ait été bien suivie. Se reporter ensuite à la section Dépannage pour cerner la source potentielle du problème.
3. S'assurer que l'endroit choisi soit bien ventilé si des solvants sont utilisés pour le nettoyage. Toujours porter des lunettes de protection lorsqu'on procède à la maintenance. D'autres dispositifs protecteurs pourraient être requis selon le type de solvant utilisé; on doit toujours communiquer avec le fabricant de ce dernier pour obtenir ses recommandations à cet effet.
4. Pour toute autre question relative à ce vaporisateur à dépression, il suffit de communiquer avec Titan :
Service à la clientèle (É.-U.)..... **1-800-526-5362**
Télécopieur **1-800-528-4826**

Entretien du moteur



Pendant le transport d'un pulvérisateur à moteur à essence, s'assurer que la soupape de carburant est bien fermée.

NOTA : Pour des renseignements détaillés sur les caractéristiques techniques et l'entretien, se reporter au manuel fourni avec le pulvérisateur.

Faits importants concernant le pulvérisateur

Ce pulvérisateur à essence est doté d'un embrayage qui entre en mouvement lorsque le pulvérisateur est en marche. Le système de régulation de la pression du pulvérisateur met l'embrayage en mouvement pour assurer la régulation de la pression. Pour éviter l'usure inutile de l'embrayage, on conseille d'ajuster la vitesse du moteur et la pression en vue de limiter la fréquence de mouvements de l'embrayage. Pour réduire l'usure de l'embrayage, se reporter aux exemples ci-dessous.

Exemple :

Pour faire fonctionner un pistolet muni d'un embout de 0,019 po – réduire la vitesse du moteur en ajustant le dispositif d'étranglement à un niveau plus bas ou moyen et augmenter la pression jusqu'à ce que les accumulations dans les bouts des formes de jets disparaissent.

Exemple :

Pour faire fonctionner un pistolet muni d'un embout de 0,025 po – augmenter la vitesse au maximum et augmenter la pression jusqu'à ce que les accumulations dans les bouts des formes de jet disparaissent.

Exemple :

Pour pulvériser des produits très fluides à une basse pression – pour réduire la surpression du pistolet et l'usure de l'embrayage, réduire la vitesse du moteur au ralenti et diminuer la pression jusqu'à l'obtention de la forme de jet recherchée.

Entretien périodique du moteur

Journalier

- Vérifier et remplir le réservoir à essence.
- Après 20 heures de fonctionnement, vidanger l'huile et mettre de l'huile fraîche. Vérifier le niveau d'huile du moteur et en ajouter au besoin.

Hebdomadaire

- Retirer le couvercle du filtre à air et nettoyer la pièce. Procéder au remplacement de la pièce au besoin. Si le travail se déroule dans un environnement inhabituellement poussiéreux, vérifier le filtre chaque jour et le remplacer au besoin. (Les pièces de remplacement sont offerts chez le distributeur local de Titan.)
- Après 50 heures d'utilisation : remplacer l'huile de moteur.

Bougie d'allumage

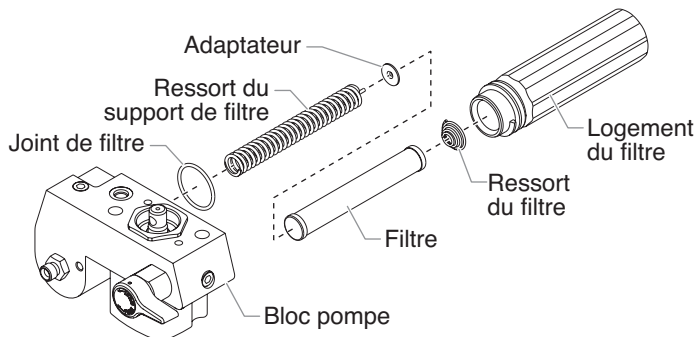
- Utiliser uniquement des bougies de type (NKG) BR6HS ou Champion RL86C.
- Ajuster l'écartement des électrodes de la bougie de 0,020 po à 0,030 po.
- Il faut utiliser une clé à bougie pour installer ou changer une bougie.

Nettoyage ou remplacement des filtres

Filtre de pompe

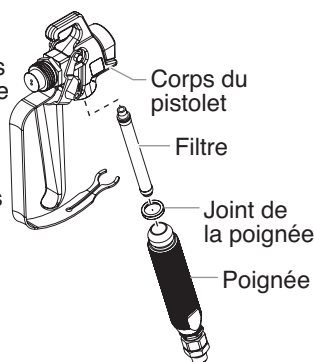
1. Dégager et retirer le logement du filtre.
2. Retirer le filtre du ressort du support de filtre.
3. Inspecter le filtre; le nettoyer ou le remplacer au besoin.
4. Inspecter le joint; le nettoyer ou le remplacer au besoin.
5. Faites glisser le nouveau filtre ou nettoyer le filtre au cours du support avec le soutien de l'adaptateur en place. Poussez le filtre dans le centre de la bloc pompe.
6. Glisser le logement sur le filtre et le visser solidement sur le bloc pompe.

NOTA: Le filtre de logement devraient être serrés la main, mais assurez-vous que le logement du filtre est assise pleinement dans le bloc pompe.



Filtre de pistolet

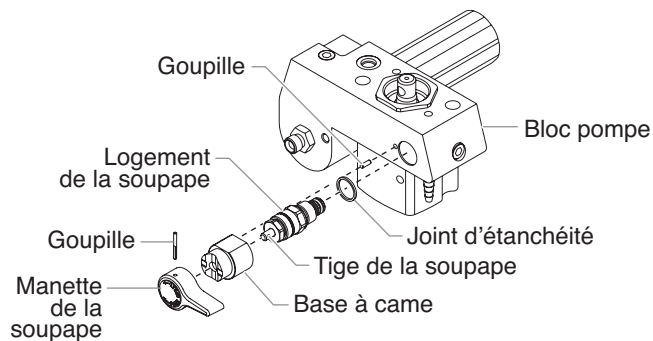
1. Tirer le bas du protège-doigts vers l'avant jusqu'à ce qu'il se détache de la poignée.
2. Desserrer la poignée et la retirer du corps du pistolet.
3. Retirer le vieux filtre du corps du pistolet.
4. Remettre le nouveau filtre, l'extrémité amincie en premier, dans le corps du pistolet.
5. S'assurer que le joint d'étanchéité de la poignée est en place et visser la poignée dans le corps du pistolet jusqu'à ce qu'il soit bien serré.
6. Réenclencher le protège-doigts sur la poignée.



Remplacement de la soupape PRIME/SPRAY

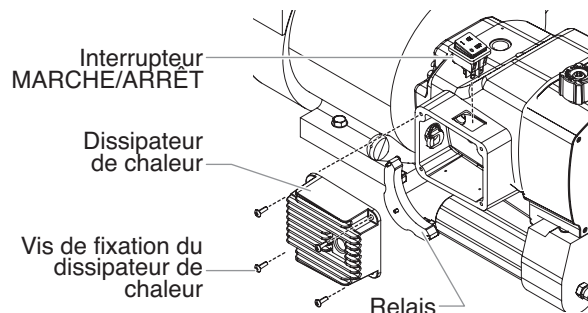
Pour effectuer cette procédure, on doit se procurer une trousse de remplacement de soupape PRIME/SPRAY (P/N 800-915 ou 700-258).

1. Pousser la goupille hors de la manette de la soupape.
2. Retirer la manette et la base à came.
3. Au moyen d'une clé, desserrer et retirer le logement de la soupape.
4. S'assurer que le joint d'étanchéité soit à sa place, et visser le nouveau logement dans le bloc pompe; serrer fermement à l'aide d'une clé.
5. Mettre la base à came par dessus le logement de la soupape; la lubrifier au moyen de graisse et aligner la came avec le bloc pompe.
6. Aligner le trou dans la tige de soupape avec celui de la manette.
7. Insérer la goupille à travers ces deux trous afin de fixer la manette en place.



Remplacement de l'interrupteur MARCHÉ/ARRÊT (ON/OFF) du pulvérisateur

1. Suivre la procédure de décompression.
2. À l'aide d'un tournevis à pointe cruciforme, retirer les quatre vis qui retiennent le dissipateur de chaleur et ses composants dans le carter. Retirer soigneusement le dissipateur de chaleur du carter. Déplacement doucement les composants en les éloignant du pulvérisateur et laisser les composants pendre.
3. Repérer la partie inférieure de l'interrupteur MARCHÉ/ARRÊT du pulvérisateur à l'intérieur du carter.



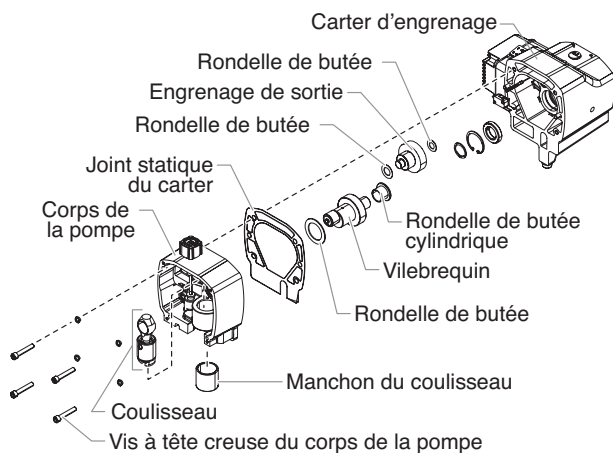
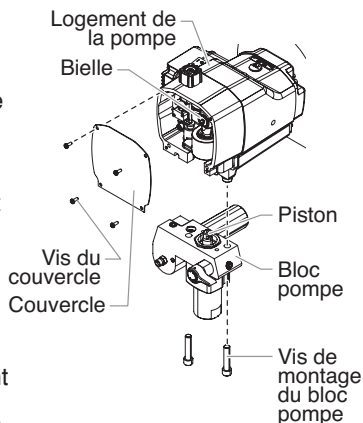
4. Déconnecter les fils de l'interrupteur du pulvérisateur. Ne pas oublier l'emplacement de chacun des deux fils (les marquer avec des étiquettes, au besoin).
5. Abaisser les languettes de montage à chaque coin de l'interrupteur du pulvérisateur à l'intérieur du carter, et retirer l'interrupteur par la partie supérieure du carter.
6. Enclencher le nouvel interrupteur du pulvérisateur dans l'orifice prévu dans le carter.
7. Connecter les deux fils de l'interrupteur au nouvel interrupteur du pulvérisateur. S'assurer que les fils sont reconnectés aux points où ils se trouvaient avant d'être débranchés (consulter les étiquettes utilisées à l'étape précédente de cette procédure ou le schéma électrique dans la section « Liste de pièces » de ce manuel).
8. Placer soigneusement le dissipateur de chaleur sur le carter en prenant soin de ne pincer aucun fils.
9. Installer les quatre vis qui retiennent le dissipateur de chaleur au carter. Visser fermement.

Remplacement des engrenages et/ou du coulisseau

1. À l'aide d'un tournevis à pointe cruciforme, dévisser les quatre vis du couvercle avant. Retirer le couvercle.
2. Démarrer le moteur (consulter les procédures dans la section « Fonctionnement » de ce manuel). Tourner le bouton de régulation de la pression dans le sens des aiguilles d'une montre au maximum.
3. Actionner rapidement l'interrupteur du pulvérisateur entre les positions MARCHE et ARRÊT jusqu'à ce que le coulisseau et le piston s'arrêtent au bas de leur course (aux positions les plus basses).
4. Arrêter le moteur et effectuer la procédure de décompression.

NOTA : Pour remplacer le coulisseau, le tronçon d'acheminement doit être retiré du corps de la pompe.

5. À l'aide d'une clé hexagonale de 3/8 po, retirer les deux vis à tête creuse qui permettent de fixer le tronçon au corps de la pompe.
6. Abaisser le logement du tronçon d'acheminement d'environ 1/2 po du carter d'engrenage pour libérer le transducteur.
7. Faire glisser le logement du tronçon d'acheminement et la tige de piston vers l'avant jusqu'à ce que la tige de piston sorte de la rainure de fixation sur le coulisseau.
8. À l'aide d'une clé hexagonale de 1/4 po, retirer les quatre vis à tête creuse qui permettent de fixer le corps de la pompe au carter d'engrenage.



9. Glisser le corps de la pompe pour l'éloigner du carter d'engrenage.
10. Retirer et nettoyer le joint statique. Le remplacer s'il est endommagé.
11. Glisser le vilebrequin, avec les deux rondelles de butée hors du corps de la pompe du côté du carter d'engrenage.
12. Retirer l'engrenage de sortie avec les deux rondelles de butée.
13. Nettoyer le vilebrequin en profondeur, l'engrenage de sortie ainsi que toutes les rondelles de butée.
14. Inspecter toutes les pièces pour en vérifier l'usure excessive et remplacer celles qui sont endommagées ou usées. Si le vilebrequin ou l'engrenage de sortie est remplacé, remplacer également les rondelles de butée correspondantes.

15. Inspecter le pignon d'engrenage situé à l'extrémité de l'arbre d'entraînement pour en vérifier l'usure et le remplacer s'il est endommagé ou usé (se reporter à la procédure « Entretien du bloc d'embrayage » de cette section).

NOTA : Dans le cas où l'un des engrenages est usé et que cela exige un remplacement, vérifier si la graisse dans le carter d'engrenage contient des particules ou des limailles de métal. Enlever la graisse contaminée et la remplacer avec la graisse fraîche Lubriplate GR-132.

16. Glisser le coulisseau vers le haut et le sortir du manchon de coulisseau situé en avant du corps de la pompe.
17. Inspecter les pièces pour en vérifier l'usure.
 - a. Si le manchon de coulisseau est rayé ou excentré, le corps de la pompe doit être remplacé.
 - b. Si le coulisseau est rayé ou le point de contact entre la bielle et le coulisseau affecté des mouvements non rotatoires, il faut remplacer le coulisseau. Si le coulisseau doit être également remplacé si le coussinet de la bielle présente des signes d'usure.
 - c. Toutes les pièces qui seront utilisées plus d'une fois doivent être nettoyées en profondeur, y compris la bielle. Nettoyer également la goupille du vilebrequin autour de laquelle tourne le coussinet de la bielle.
18. Appliquer une couche fraîche de graisse Lubriplate GR-132 sur l'engrenage de sortie et sur chaque côté de ses rondelles de butée. Placer les rondelles de butée sur leur arbre de l'engrenage de sortie.
19. Lubrifier l'engrenage de sortie avec de la graisse Lubriplate GR-132 fraîche. Insérer l'engrenage dans son orifice prévu dans le carter d'engrenage, la partie dentée en premier. Les dents de l'engrenage vont s'accoupler avec celles du pignon de l'arbre d'entraînement.
20. Appliquer une couche abondante de graisse Lubriplate GR-132 fraîche sur toutes les surfaces de la rondelle de butée cylindrique du vilebrequin.
21. Glisser l'extrémité plate de la rondelle de butée cylindrique derrière l'engrenage sur l'engrenage de sortie, en alignant son orifice avec l'orifice de la bielle du carter d'engrenage prévu pour le vilebrequin.
22. Lubrifier en appliquant de la graisse Lubriplate GR-13 fraîche. Glisser l'arbre de côté de l'engrenage du vilebrequin à travers la rondelle de butée cylindrique jusqu'à son orifice situé dans le carter d'engrenage.
23. Placer la goupille à l'extrémité du vilebrequin près de la base du carter d'engrenage (à la position de point mort du bas).
24. Lubrifier les deux surfaces de la grande rondelle de butée du vilebrequin avec de la graisse Lubriplate GR-132 fraîche. Placer la rondelle de butée sur le vilebrequin contre l'engrenage.
25. Placer le joint statique du carter sur le carter d'engrenage des goupilles de positionnement.
26. Lubrifier la surface extérieure du coulisseau et la surface interne du manchon de coulisseau avec de l'huile. Remplir la cuvette du coulisseau avec la graisse Lubriplate 1242 (la cuvette du coulisseau est la partie de l'ensemble à coulisseau où la bielle et le coulisseau se joignent et pivotent).
27. Insérer le coulisseau dans le manchon de coulisseau.
28. Placer soigneusement le corps de la pompe devant le carter d'engrenage, en alignant chaque goupille de positionnement du carter d'engrenage avec son orifice correspondant situé dans le corps de la pompe. Glisser le corps de la pompe dans le carter d'engrenage jusqu'à ce qu'il n'y ait plus d'espace entre le corps de la pompe, le carter d'engrenage et le joint statique.

NOTA : Pendant que le corps de la pompe glisse en place, la goupille du vilebrequin commencera à sortir du palier au centre du corps de la pompe. Placer le coulisseau pour faire en sorte qu'au moment où la goupille du vilebrequin sort du palier principal, elle entraîne le coussinet de la bielle.

IMPORTANT : Ne pas serrer le corps de la pompe contre le carter d'engrenage.

29. Repérer les quatre vis à tête creuse et visser les rondelles de blocage qui fixent le corps de la pompe au carter d'engrenage.
30. À l'aide d'une clé hexagonale de 1/4 po, ajuster et serrer les vis à tête creuse en alternance en suivant un motif en croix. Appliquer un couple de 200 à 230 po-lb.
31. Glisser la partie supérieure de la tige de piston dans l'ouverture rectangulaire du coulisseau.
32. Placer le bloc de pompe en dessous du carter d'engrenage et pousser jusqu'à ce qu'il repose sur le carter d'engrenage.
33. Insérer les deux vis à tête creuse qui fixent le tronçon d'acheminement de la peinture au corps de la pompe, tout en ajustant et en appliquant un couple de 400 à 440 po-lb.
34. Placer le couvercle sur le corps de la pompe. Fixer le couvercle avant avec de quatre vis du couvercle avant.

Remplacement du transducteur

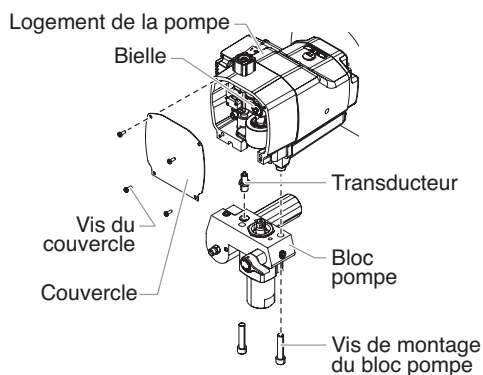
1. Desserrer et retirer les quatre vis du couvercle avant et retirer ce dernier.
2. Arrêter le vaporisateur en le bas de course afin que le piston soit à sa position la plus basse.
3. Suivre la Procédure de décompression.



Avant de procéder, on doit suivre les directives de la section Procédure de décompression du présent manuel. On doit également respecter tous les autres avertissements si on veut éviter les blessures par injection, par contact avec une pièce mobile ou par choc électrique. Le vaporisateur doit toujours être débranché avant d'être entretenu ou réparé.

4. Incliner la pompe vers l'arrière pour accéder plus facilement à la section des liquides.
5. Au moyen d'une clé hexagonale de 1,0 cm, desserrer et retirer les deux vis de montage du bloc pompe.
6. Tirer sur le bloc pompe afin de le faire ressortir d'environ 1,5 cm (1/2 po) de son logement, de manière à dégager le transducteur.
7. Glisser le bloc pompe et la tige du piston vers l'avant jusqu'à ce que cette dernière sorte de la rainure en T de la bielle.
8. Retirez le transducteur de la bloc pompe avec une clé.
9. Installer le nouveau transducteur dans le logement de la pompe. Serrez avec une clé.
12. Remonter la pompe en reprenant les étapes 1 à 8 à l'envers.

IMPORTANT : S'assurer que le transducteur est aligné correctement par rapport à l'orifice du tronçon d'acheminement du produit pendant le réassemblage. Un mauvais alignement peut endommager le joint statique du transducteur.

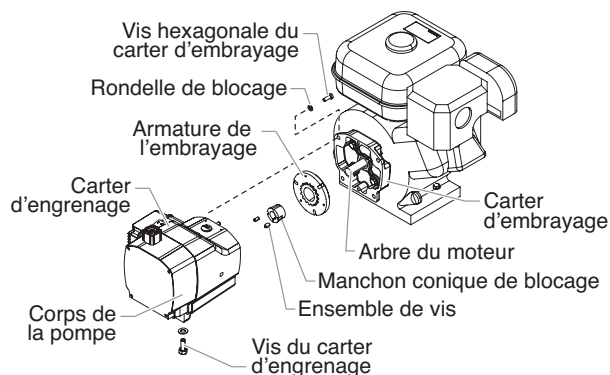


Entretien du bloc d'embrayage

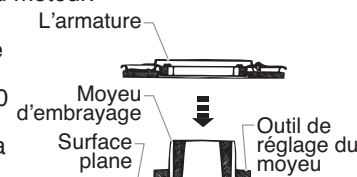
NOTA : Lorsqu'on remplace l'armature de l'embrayage, son rotor doit être également remplacé. Cela permet une usure équilibrée et une durée de vie maximale des pièces de l'embrayage.

Retirer et remplacer l'armature du bloc d'embrayage

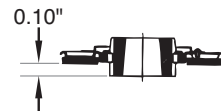
1. Suivre la procédure de décompression.
2. Trouver le fil qui sort derrière boîtier du bouton de régulation de la pression et qui le relie le faisceau de câbles du moteur. Déconnecter ce fil de son connecteur sur le faisceau de câbles du moteur.
3. À l'aide d'une douille à 12 points de 5/16 po, dévisser les quatre vis et fixer les rondelles qui retiennent le carter d'embrayage au carter de l'engrenage.
4. À l'aide d'une douille de 9/16 po, dévisser la vis qui retient le carter d'engrenage au chariot.
5. Glisser le corps de la pompe et celui de l'engrenage en l'éloignant du moteur pour les séparer du carter d'embrayage.



6. Repérer l'armature de l'embrayage à l'extrémité de l'arbre du moteur. Remarquer les deux ensembles de vis et l'orifice fileté, inoccupé du manchon conique fendu au centre du moyeu d'embrayage.
7. À l'aide d'une clé hexagonale de 1/8 po, dévisser les deux ensembles de vis du manchon conique fendu.
8. Visser l'une des vis dans l'orifice fileté, inoccupé au manchon conique fendu. Au fur et à mesure que la vis se resserre, le manchon se desserrera. Dès que le manchon se desserre suffisamment, retirer l'armature de l'embrayage de l'arbre du moteur.
9. À l'aide de l'outil de réglage du moyeu (no de pièce 0555926), créer une « réduction » de 0,10 po entre la surface de friction de l'armature et la partie frontale du moyeu d'embrayage.

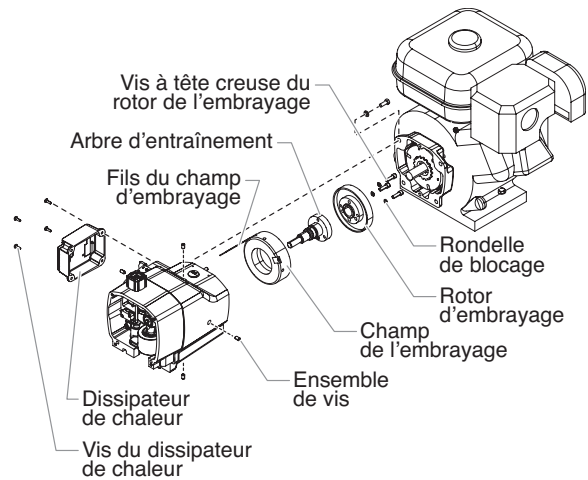
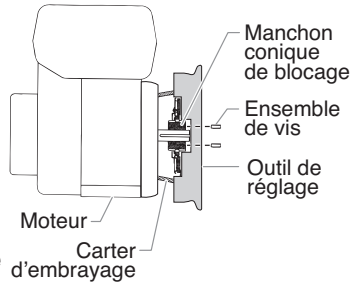


NOTA : Un nouveau moyeu d'embrayage et de l'armature sera pré-assemblé, mais le « réduction » mai ne pas être correct. Le « réduction » doit encore être créé en utilisant de l'outil de réglage du moyeu.



10. Pour remplacer l'armature de l'embrayage, aligner les trois orifices au niveau du manchon conique fendu dans l'armature de l'embrayage et insérer le manchon au centre de l'armature de l'embrayage.
11. Aligner la clé sur le manchon conique fendu avec la rainure de clavette de l'arbre du moteur et glisser l'armature sur l'arbre avec les orifices tournés vers l'extérieur.

12. Appliquer du Loctite bleu sur les deux ensembles de vis et insérer les vis dans le manchon conique fendu. Serrer l'ensemble des vis en faisant seulement deux tours complets pour chaque vis.
13. En utilisant l'outil de réglage de l'embrayage (no de pièce 0555926), placer l'armature de l'embrayage sur l'arbre du moteur. Maintenir l'outil devant le carter d'embrayage, de façon à ce que le centre, la partie encastrée de l'outil, enjambe l'armature de l'embrayage. Tirer l'armature de l'embrayage vers l'outil jusqu'à ce que la face de l'armature se retrouve contre l'outil.
14. Tout en maintenant la prise sur l'armature de l'embrayage contre l'outil, utiliser la clé hexagonale de 1/8 po et resserrer les vis dans le manchon conique fendu. Régler le couple entre 65 et 75 po-lb.
15. S'assurer que la surface de friction de l'armature d'embrayage est propre et exempte d'huile ou de graisse.

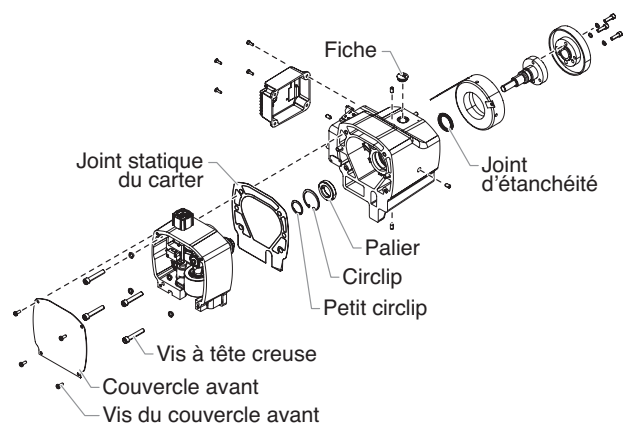


NOTA : Avant de démonter l'arbre d'entraînement, il faut d'abord démonter le corps de la pompe du carter d'engrenage.

Démontage du rotor de l'embrayage, du champ de l'embrayage et de l'arbre d'entraînement

1. Suivre les étapes 1 à 7 « Démontage/remplacement de l'armature de l'embrayage ».
2. Repérer le rotor de l'embrayage situé dans la partie arrière à l'intérieur du carter d'engrenage. Prendre note des emplacements de trois vis à tête creuse et des deux orifices filetés, inoccupés situés sur le rotor de l'embrayage.
3. À l'aide de la clé hexagonale de 3/16 po, retirer les trois vis à tête creuse et les rondelles de blocage qui fixent le rotor de l'embrayage à l'arbre d'entraînement.
4. Introduire les vis à tête creuse dans les orifices filetés inoccupés et serrer en alternant. Cela va pousser le rotor de l'embrayage à l'écartant de l'arbre d'entraînement et le pignon.
5. À l'aide d'un tournevis à pointe cruciforme, retirer les quatre vis qui fixent le dissipateur de chaleur au carter. Démontez soigneusement le dissipateur de chaleur du carter.
6. Repérer les deux fils du champ d'embrayage qui s'étendent du carter d'engrenage au logement de commande. Prendre soin de remarquer les points de connexion terminaux des fils sur le relais (mettre des étiquettes, au besoin), et débrancher les fils. Éloigner doucement le dissipateur de chaleur du carter et le déposer sur la surface de travail à côté du logement de commande.
7. Repérer les quatre paires de vis qui fixent le champ d'embrayage au carter d'embrayage. Ces vis sont localisées sur la partie externe du carter d'engrenage aux points correspondants à 12, 3, 6 et 9 sur le cadran d'une montre, en face de l'extrémité du champ d'embrayage du carter d'engrenage. À l'aide d'une clé hexagonale de 1/8 po, dévisser les vis. Prendre soin de remarquer l'emplacement des deux fils du champ d'embrayage par rapport à la rondelle isolante et la prise pour alimentation électrique externe.
8. Glisser soigneusement le champ d'embrayage pour le sortir du carter d'engrenage, en maintenant le champ du carré au carter d'engrenage pour qu'il ne se plie pas.

9. À l'aide d'un tournevis à pointe cruciforme, dévisser les vis du couvercle avant. Démontez le couvercle avant.
10. À l'aide d'une clé hexagonale de 1/4 po, dévisser les quatre vis à tête creuse qui fixent le corps de la pompe au carter d'engrenage.
11. Glisser le corps de la pompe en l'éloignant du carter d'engrenage.
12. Démontez et nettoyez le joint statique du carter. Le remplacer s'il est endommagé.
13. Repérer le pignon de l'arbre d'entraînement qui sort de l'avant du carter d'engrenage. Retirer le petit circlip qui se trouve sur le moyeu de l'arbre d'entraînement devant le roulement à billes sur lequel repose l'arbre d'entraînement.
14. À partir du côté opposé du carter d'engrenage (côté embrayage), pousser l'arbre d'entraînement à l'extérieur du carter d'engrenage.
15. Inspecter le joint d'étanchéité situé à l'intérieur de l'orifice où se trouvait l'arbre d'entraînement. Remplacer en cas d'usure ou de dommages. Pour enlever le joint d'étanchéité, utiliser un tournevis à lame plate et soulever soigneusement le joint d'étanchéité de l'orifice.
16. Nettoyer l'intérieur du carter d'engrenage.



Assemblage du rotor d'embrayage, champ d'embrayage et arbre d'entraînement

1. Si la graisse du joint d'étanchéité de l'arbre d'entraînement a été enlevée, placer un nouveau joint d'étanchéité dans l'orifice pour remplacer le vieux joint d'étanchéité.
2. À partir du côté où se trouve l'embrayage dans le carter d'engrenage, introduire l'arbre d'entraînement dans l'orifice, à travers la graisse du joint d'étanchéité ainsi que le roulement à billes situé du côté de l'engrenage dans le carter d'engrenage.
3. À partir du côté de l'engrenage du carter d'engrenage, insérer le circlip dans la gorge située sur le moyeu de l'arbre d'entraînement devant le roulement à billes.
4. Mettre le du joint statique du carter sur les goupilles de positionnements du carter d'engrenage.
5. Placer soigneusement le corps de la pompe devant le carter d'engrenage, en alignant chaque goupille de positionnements du carter d'engrenage avec son orifice correspondant situé dans le corps de la pompe. Glisser le corps de la pompe dans le carter d'engrenage jusqu'à ce qu'il n'y ait plus d'espace entre le corps de la pompe, le carter d'engrenage et le joint statique.

IMPORTANT : Ne serrer le corps de la pompe contre le carter d'engrenage.

6. Repérer les quatre vis à tête creuse et les rondelles de blocage qui rattachent le corps de la pompe contre le carter d'engrenage.
7. À l'aide d'une clé hexagonale de 1/4 po, visser et serrer les vis à tête creuse en alternance, en suivant un motif en croix. Appliquer un couple de 200 à 230 po-lb.
8. Aligner les quatre orifices situés à l'extérieur du champ de l'embrayage avec les quatre orifices des vis à tête creuse dans le carter d'engrenage. Les fils du champ d'embrayage devraient être placés environ à la position 1 h ou 2 h du cadran d'une montre.
9. Guider les deux fils du champ d'embrayage à travers l'orifice et le logement de commande.
10. Glisser soigneusement le champ d'embrayage dans son orifice, puis dans le carter d'engrenage jusqu'à ce qu'il arrive au fond du carter. Ne pas pincer les fils du champ d'embrayage pendant l'installation.
11. Visser l'une des vis pression pointue dans son orifice. À l'aide d'une clé hexagonale de 1/8 po, tourner lentement la vis jusqu'à ce qu'elle touche le champ d'embrayage. Ne pas resserrer la vis pression. Le bout de la vis pression devrait s'accoupler avec l'orifice de point de foret dans le champ. Vérifier si le champ d'embrayage peut faire une rotation. S'il tourne dans son orifice, la vis pression n'est pas bien installée dans le point de foret.
12. Une fois que la vis pression est correctement en place, installer les trois autres vis pression pointues. Ne pas resserrer les vis pression.
13. Resserrer chaque vis pression pointue, en alternance en suivant un motif en croix jusqu'à ce qu'elles soient bien serrées. Dès que les quatre vis pression pointues sont bien serrées, serrer en alternance en suivant un motif en croix et appliquer un couple de 70 à 80 po-lb.

IMPORTANT : Il est très important de visser, de bien serrer et d'appliquer un couple uniformément sur les vis pression pointue en suivant un motif en croix. C'est pour faire en sorte que le champ d'embrayage reste bien centré dans le carter de l'engrenage.

15. Aligner les trois orifices de vis et l'orifice de la goupille de positionnement du rotor de l'embrayage avec les orifices de vis et la goupille de positionnement sur le moyeu de l'arbre d'entraînement. Placer le rotor de l'embrayage sur le moyeu.
16. À l'aide d'une clé hexagonale de 3/16 po, visser les trois vis à tête creuse et les rondelles de blocage à travers le rotor de l'embrayage et dans le moyeu de l'arbre d'entraînement. Visser et serrer de façon égale les vis à tête creuse et appliquer un couple de 75 à 85 po-lb.

17. S'assurer que la surface de friction du rotor de l'embrayage est propre et exempte d'huile ou de graisse.
18. Repérer les deux fils du champ d'embrayage dans le logement de commande. Tirer prudemment à fond sur les fils qui sont dans le logement de la prise pour alimentation électrique externe pour qu'il n'y ait pas de ralentissement dans le logement. Brancher les fils sur les terminaux du relais (se reporter aux étiquettes utilisées plus tôt dans la procédure ou en suivant le schéma électrique présenté dans la section « Liste de pièces » de ce manuel).
19. Placer soigneusement le dissipateur de chaleur sur le logement de commande en prenant soin de ne pincer aucun fils.
20. Installer les quatre vis qui retiennent le dissipateur de chaleur au logement de commande. Resserrer les vis.

Accouplement du carter d'engrenage et du carter d'embrayage

1. Placer le carter de l'engrenage sur le chariot devant le carter de l'embrayage. Aligner les goupilles de positionnement dans le carter de l'engrenage avec leurs orifices correspondants dans le carter de l'embrayage. Glisser le carter de l'engrenage dans le carter de l'embrayage jusqu'à ce qu'il n'y ait plus d'espace entre les carters.
2. Visser les quatre vis hexagonales et les rondelles de blocage à travers le carter d'embrayage et dans le carter de l'engrenage.
3. À l'aide d'une douille à 12 points de 5/6 po, visser et renforcer les vis hexagonales en alternance en suivant un motif en croix. Appliquer un couple de 140 à 155 po-lb.
4. À l'aide d'une douille de 9/16 po, visser la vis hexagonale qui fixe le carter de l'engrenage au chariot à travers la partie inférieure du chariot et dans le carter de l'engrenage. Appliquer un couple de 100 à 120 po-lb.
5. Brancher le fil du logement de la prise pour alimentation électrique externe à son connecteur homologue situé sur le faisceau de câbles du moteur.

Vérification de l'écartement de l'embrayage

1. Retirer le bouchon en plastique qui recouvre la partie supérieure du carter de l'embrayage. Regarder à travers le port pour repérer l'armature de l'embrayage et le rotor d'embrayage.
2. Vérification l'écartement entre l'armature de l'embrayage et le rotor de l'embrayage à l'aide d'une lame calibrée de 0,016 po et une autre de 0,035 po.
 - a. Insérer chaque lame calibrée à travers le port et dans l'écartement entre l'armature de l'embrayage et le rotor de l'embrayage. La lame calibrée de 0,016 po doit correspondre à la taille de l'écartement. La lame calibrée de 0,035 po ne devrait pas pouvoir remplir l'écartement.
 - b. Tirer à plusieurs reprises le cordon de tirage du moteur pour faire rotter l'armature de l'embrayage, en vérifiant l'écartement avec chaque lame calibrée après chaque tirage.
 - c. Si la lame calibrée de 0,016 po ne correspond pas à la taille de l'écartement ou si la lame calibrée de 0,035 po correspond à la taille de l'écartement à n'importe quel point de contrôle, il faut procéder à un réajustement de l'écartement. On peut le faire en modifiant la position du moyeu de l'embrayage et les composants de l'armature de l'arbre du moteur. Se référer à la section qui décrit la procédure de « Démontage du rotor de l'embrayage, du champ de l'embrayage et de l'arbre d'entraînement » dans ce manuel.

Maintenance de la section des liquides

On doit suivre les procédures suivantes pour effectuer la maintenance des soupapes et remplacer les tampons graisseurs de la section des liquides.

1. Desserrer et retirer les quatre vis du couvercle avant et retirer ce dernier.
2. Démarrer le moteur (se référer aux procédures décrites dans la section « Fonctionnement » de ce manuel). Régler le bouton de régulation de la pression dans le sens des aiguilles d'une montre jusqu'au maximum.
3. Actionner rapidement l'interrupteur MARCHÉ/ARRÊT du pulvérisateur entre les positions MARCHÉ et ARRÊT jusqu'à ce que le coulisseau et le piston s'arrêtent au point mort (les positions les plus basses).
4. Arrêter le moteur et effectuer la procédure de décompression



Avant de procéder, on doit suivre les directives de la section Procédure de décompression du présent manuel. On doit également respecter tous les autres avertissements si on veut éviter les blessures par injection, par contact avec une pièce mobile ou par choc électrique.

Maintenance des soupapes

La conception de la section des liquides du vaporisateur fait en sorte qu'on peut accéder aux soupapes de retenue et de sortie, de même qu'à leur siège respectif, sans avoir à démonter toute la section. Il arrive que ces soupapes soient mal assises à cause de débris accumulés; en suivant les directives ci-dessous, on peut les nettoyer et inverser ou remplacer leur siège.

NOTA : Garder le pulvérisateur en position verticale au cours de cette procédure.

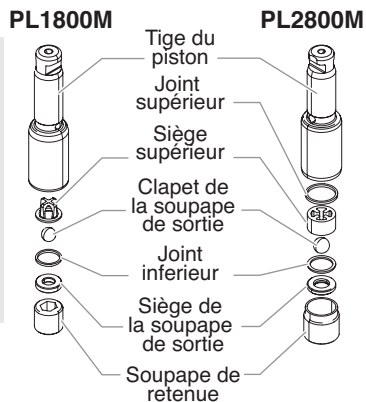
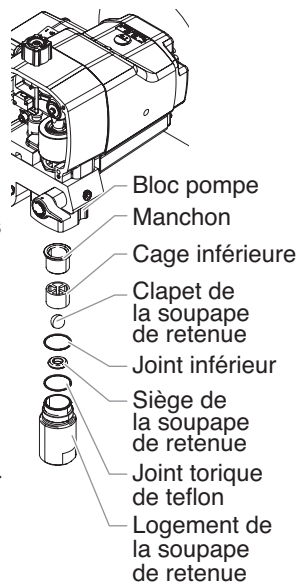
1. Au moyen d'une clé, desserrer et retirer le logement de la soupape de retenue du bloc pompe.
2. Enlever tous les débris dans le logement et examiner les composants; si le siège est endommagé, l'inverser ou le remplacer.

NOTA : Si le siège de la soupape d'admission est inversé ou remplacé, il faut remplacer le roulement de la soupape d'admission.

3. À l'aide d'une clé hexagonale de 1 cm (3/8 po), dévisser et retirer le logement de la soupape de sortie de la tige du piston.

NOTA: La tige du piston doit toujours être raccordée à la pompe quand on effectue l'entretien de la soupape de sortie; ce faisant, on évitera que la tige pivote lorsqu'on démonte la soupape.

4. Enlever tous les débris dans le logement et examiner les composants; si le siège est endommagé, l'inverser ou le remplacer.



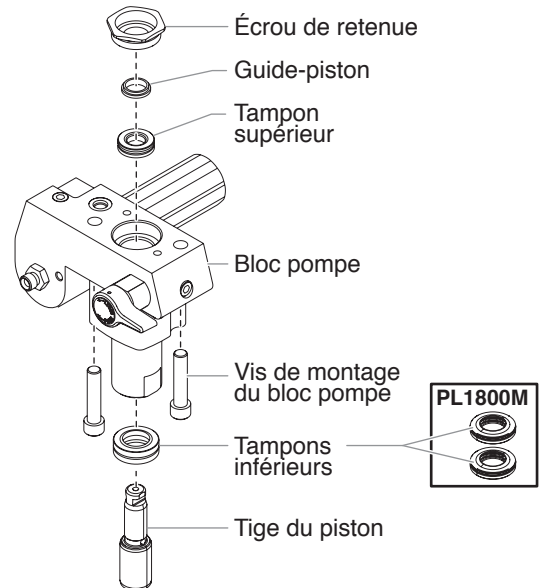
NOTA : Si le siège de la soupape de refoulement est mis à l'envers ou remplacé, il faut remplacer le roulement de la soupape de refoulement.

5. Retirer, nettoyer et inspecter la cage et le clapet supérieurs; les remplacer s'ils sont usés ou endommagés.
6. Remonter les soupapes en reprenant les étapes ci-dessus à l'envers.

Remplacement des tampons graisseurs

1. Retirer les soupape de retenue en suivant les directives de la section Maintenance des soupapes ci-dessus.

NOTA: La valve de sortie n'a pas besoin d'être démonté à partir de la tige de piston pour cette procédure.

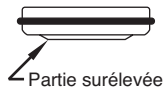


2. Au moyen d'une clé hexagonale de 1,0 cm, desserrer et retirer les deux vis de montage du bloc pompe.
3. Tirer sur le bloc pompe afin de le faire ressortir d'environ 1,5 cm de son logement.
4. Glisser le bloc pompe et la tige du piston vers l'avant jusqu'à ce que cette dernière sorte de la rainure en T de la bielle.
5. Glisser la tige du piston hors de la partie inférieure du bloc pompe.
6. Desserrer et retirer l'écrou de retenue et le guide-piston du bloc pompe.
7. Retirer les tampons supérieur et inférieur du bloc pompe.
8. Nettoyer le bloc pompe.
9. Repérer les nouvelles garnitures d'étanchéité inférieure et supérieure et garnir les espaces autour des garnitures d'étanchéité avec de la graisse. Lubrifier les joints toriques à l'extérieur des garnitures avec de la graisse.
10. Inspecter la tige du piston pour y déceler toute trace d'usure et la remplacer au besoin.
11. Insérer la garniture supérieure dans le haut du bloc de la pompe avec la lèvre surélevée de la garniture tournée vers le bas.
12. Insérer le guidage du piston dans l'écrou de retenue. Visser à la main l'écrou de retenue dans le bloc de la pompe jusqu'à ce qu'il soit bien fixé.
13. Préformer la garniture inférieure à l'aide du calibre correspondant (fourni dans la trousse de regarnissage).
- 14a. **PL1800M** — Poser partiellement la garniture inférieure dans la partie inférieure du bloc de la pompe, de façon à ce que la partie supérieure et le joint torique soient tournés vers le haut.

- 14b. **PL2800M** - Insérer partiellement la garniture inférieure dans la partie inférieure du bloc de la pompe de façon à ce que le côté qui a le joint torique plus proche à la face de la garniture soit tourné vers le haut.

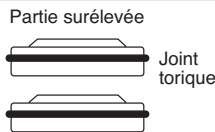
PL1800M/PL2800M

La partie surélevée supérieure doivent être vers le bas.



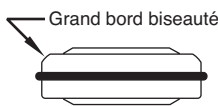
PL1800M

La partie surélevée et le joint torique des tampons inférieurs doivent être vers le haut.



PL2800M

La grand bord biseauté doivent être vers le haut.



15. Pousser la garniture inférieure en place en utilisant l'outil d'insertion de garniture (voir la partie de la liste des composants de la section « Tronçon d'acheminement » pour le no de pièce de l'outil d'insertion de garniture inférieure).
16. Inspecter la tige du piston pour y déceler toute trace d'usure et la remplacer au besoin.

NOTA : Appliquer de la graisse sur l'outil de guidage du piston et sur la tige de piston avant de les insérer dans le bloc de la pompe.

17. Placer l'outil d'insertion de piston (fourni dans la trousse de regarnissage) au dessus de la tige de piston.
18. Insérer la tige de piston au fond du bloc de la pompe, à travers la garniture inférieure, en passant par la garniture supérieure et sortir par l'écrou de retenue. À l'aide d'un maillet en caoutchouc, taper doucement sur la base la tige du piston jusqu'à ce qu'elle s'installe dans le bloc de la pompe.

NOTA : Au moment de procéder au regarnissage du tronçon d'acheminement, s'assurer que la lèvre surélevée au fond de la garniture inférieure se trouve complètement à l'extérieur de la garniture autour de la tige du piston après l'insertion de la tige du piston.

19. Retirer l'outil d'insertion de piston de la tige du piston.
20. À l'aide d'une clé plate, resserrer l'écrou de retenue dans le bloc de la pompe. Appliquer un couple de 300 à 360 po-lb.
21. Glisser la partie supérieure de la tige du piston dans la rainure de fixation dans le coulisseau.
22. Placer le bloc de la pompe en dessous du carter d'engrenage et le pousser vers le haut jusqu'à ce qu'il touche le carter d'engrenage.

IMPORTANT : S'assurer que le transducteur est correctement aligné avec l'orifice du bloc de la pompe pendant le réassemblage. Un mauvais alignement peut endommager le joint statique du transducteur.

23. Visser les vis de montage du bloc de la pompe pour fixer le carter d'engrenage. Appliquer un couple de 400 à 440po-lb.
24. Réassembler le clapet de pied dans le bloc de la pompe.

NOTA : Pendant le réassemblage, s'assurer que le joint torique entre le bloc de la pompe et le logement du clapet de pied est lubrifié avec de la graisse et qu'il est en place.

25. Visser le tube-siphon dans le logement du clapet de pied et resserrer. S'assurer de recouvrir les filets du tube-siphon avec du ruban pour joints filetés avant le montage. Remplacer le tuyau de retour dans le collier de serrage sur le tube-siphon.
26. Visser le tuyau de retour dans le bloc de la pompe et resserrer.
27. Placer le couvercle avant sur le carter d'engrenage et le fixer à l'aide des quatre vis du couvercle avant.

28. Démarrer le pulvérisateur en suivant la procédure décrite dans la section « Fonctionnement » de ce manuel et vérifier les fuites.

NOTA : La trousse de regarnissage no 730-401 (PL1800M) ou 800-450 (PL2800M) est disponible. Pour obtenir de meilleurs résultats, utiliser toutes les pièces contenues dans cette trousse.

Dépannage

Problem	Cause	Solution
A. L'appareil ne fonctionne pas.	<ol style="list-style-type: none"> 1. Le réglage de pression est trop bas. 2. Câblage défectueux ou débranché. 3. Le réservoir à essence est vide. 	<ol style="list-style-type: none"> 1. Faire tourner le bouton de commande de la pression pour alimenter l'appareil et accroître la pression. 4. Vérifier ou le faire réparer dans un centre d'entretien agréé par Titan. 3. Remplir le réservoir à essence.
B. L'appareil ne s'amorce pas.	<ol style="list-style-type: none"> 1. La soupape de PRIME/SPRAY est en position SPRAY. 2. Fuite d'air dans le flexible du siphon/d'aspiration. 3. Le filtre de la pompe et/ou le filtre d'entrée sont bouchés. 4. Le flexible de siphon/d'aspiration est bouché. 	<ol style="list-style-type: none"> 1. Faire tourner la soupape PRIME/SPRAY dans le sens des aiguilles d'une montre en position PRIME. 2. Vérifier le branchement du flexible du siphon/d'aspiration et serrer ou recoller le raccord avec du ruban en Téflon. 3. Démontez le filtre de la pompe et le nettoyer. Démontez le filtre d'entrée et le nettoyer. 4. Démontez le flexible du siphon/d'aspiration et le nettoyer.
C. La pression ne se fait pas dans l'appareil ou la pression n'est pas uniforme.	<ol style="list-style-type: none"> 1. L'embout d'aspiration est usé. 2. L'embout d'aspiration est trop grand. 3. Le bouton de commande de la pression n'est pas correctement fixé. 4. Le filtre de la pompe, le filtre du pistolet ou le filtre d'entrée sont bouchés. 5. Du produit s'échappe du flexible de retour lorsque la soupape de PRIME/SPRAY est en position SPRAY. 6. Fuite d'air dans le flexible du siphon/le flexible d'aspiration. 7. Il y a une fuite de liquide externe. 8. Il y a une fuite interne dans la section des liquides (les tampons graisseurs sont usés et/ou sales, les clapets sont usés). 9. Sièges de soupape usés. 	<ol style="list-style-type: none"> 1. Remplacer l'embout d'aspiration selon les consignes qui accompagnent le pistolet de vaporisation. 2. Remplacer l'embout d'aspiration par un embout à moins large selon les consignes qui accompagnent le pistolet de vaporisation. 3. Tourner le bouton dans le sens des aiguilles d'une montre pour augmenter la pression. 4. Démontez le filtre de la pompe et le nettoyer. Retirez le filtre du pistolet et le nettoyer. Démontez le filtre d'entrée et le nettoyer. 5. Nettoyer ou remplacer la soupape de PRIME/SPRAY. 6. Vérifier le branchement du flexible du siphon/d'aspiration et serrer ou recoller le raccord avec du ruban en Téflon. 7. Vérifier qu'il n'y a pas de fuites externes dans tous les raccords. Resserrer les raccords au besoin. 8. Nettoyer les soupapes et la section des liquides selon la procédure "Maintenance de la Section des Liquides" décrite au chapitre Maintenance de ce manuel. 9. Inverser ou remplacer les sièges de soupape selon la procédure "Maintenance de la Section des Liquides" décrite au chapitre Maintenance de ce manuel.
D. Fuite de liquide dans la partie supérieure de la section des liquides.	<ol style="list-style-type: none"> 1. Les tampons graisseurs supérieurs sont usés. 2. La tige du piston est usée. 	<ol style="list-style-type: none"> 1. Regarnir selon la procédure "Maintenance de la Section des Liquides" décrite au chapitre Maintenance de ce manuel. 2. Remplacer la tige du piston selon la procédure "Maintenance de la Section des Liquides" décrite au chapitre Maintenance de ce manuel.
E. Trop grand afflux au pistolet vaporisateur.	<ol style="list-style-type: none"> 1. Mauvais type de flexible de vaporisation sans air. 2. L'embout d'aspiration est usé ou trop grand. 3. Pression excessive. 	<ol style="list-style-type: none"> 1. Remplacer le flexible par un flexible de vaporisation de peinture sans air en tresse de textile de 1/4" et de 15m de longueur. 2. Remplacer l'embout d'aspiration selon les consignes qui accompagnent le pistolet de vaporisation. 3. Faire tourner le bouton de commande de la pression dans le sens inverse des aiguilles d'une montre pour réduire la pression d'évaporation.
F. Forme de vaporisation incorrecte.	<ol style="list-style-type: none"> 1. L'embout d'aspiration est trop grand pour le produit utilisé. 2. Mauvais réglage de pression. 3. Sortie de liquide insuffisante. 4. Le produit vaporisé est trop visqueux. 	<ol style="list-style-type: none"> 1. Remplacer l'embout d'aspiration par un embout neuf ou plus petit selon les consignes qui accompagnent le pistolet de vaporisation. 2. Faire tourner le bouton de commande de la pression pour régler la pression sur une forme de vaporisation plus adaptée. 3. Nettoyer toutes les crépines et tous les filtres. 4. Ajouter du solvant au produit selon les recommandations du fabricant.
G. L'outil n'est pas pouvoir.	<ol style="list-style-type: none"> 1. Le réglage de la pression est trop faible. 	<ol style="list-style-type: none"> 1. Faire tourner le bouton de commande de la pression dans le sens des aiguilles d'une montre pour augmenter la pression.



Información de seguridad importante • Lea toda la información de seguridad antes de operar el equipo. **GUARDE ESTAS INSTRUCCIONES.**



Indica una situación peligrosa que, de no evitarse, puede causar la muerte o lesiones graves.



Para reducir los riesgos de incendios, explosiones, descargas eléctricas o lesiones a las personas, lea y entienda todas las instrucciones incluidas en este manual. Familiarícese con los controles y el uso adecuado del equipo.



ADVERTENCIA – Para reducir el riesgo de incendio o explosión:



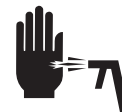
1. No pulverice materiales inflamables ni combustibles cerca de llamas desnudas, pilotos o fuentes de ignición como objetos calientes, cigarrillos, motores, equipos eléctricos o electrodomésticos. Evite producir chispas al conectar y desconectar los cables de alimentación.
2. Para unidades que se vayan a utilizar con materiales acuosos — No pulverice ni limpie con líquidos inflamables. Para su uso con líquidos acuosos solamente.
3. Para unidades que se vayan a utilizar solamente con materiales acuosos o de tipo de alcohol mineral con un punto de inflamación mínimo de 21 °C (69,8 °F) — No pulverice ni limpie con líquidos que tengan un punto de inflamación por debajo de 21 °C (69,8 °F). El punto de inflamación es la temperatura a la que un fluido puede producir vapor suficiente como para incendiarse.
4. La pintura o disolvente que pase por el equipo puede producir electricidad estática. La electricidad estática supone un riesgo de incendio o explosión en presencia de emanaciones de pintura o disolvente. Todas las piezas del sistema pulverizador, incluyendo la bomba, el conjunto de mangueras, la pistola pulverizadora y los objetos dentro y alrededor de la zona de pulverización se conectarán a tierra para protegerlos frente a descargas estáticas y chispas. Utilice solamente mangueras para pulverizadores de pintura airless (sin aire) de alta presión conductoras o con toma a tierra especificadas por el fabricante.
5. Compruebe que todos los recipientes y sistemas de recogida están conectados a tierra para evitar descargas eléctricas.
6. Conecte a una salida con toma a tierra y utilice cables alargadores puestos a tierra. No utilice un adaptador de 3 a 2.
7. No utilice pintura o disolvente que contenga hidrocarburos halogenados, como cloro, fungicida blanqueador, cloruro de metileno y tricloroetano. No son compatibles con el aluminio. Póngase en contacto con el proveedor del material para conocer su compatibilidad con el aluminio.
8. Mantenga la zona de pulverización bien ventilada. Asegúrese de que circula aire fresco por la zona para evitar que se acumulen vapores inflamables en el aire de la zona de pulverización. Ponga el conjunto de la bomba en una zona bien ventilada. No pulverice el conjunto de la bomba.
9. No fume en la zona de pulverización.
10. No encienda interruptores de luces, motores ni productos similares que puedan producir chispas en la zona de pulverización.
11. Mantenga la zona limpia y despejada de botes de pintura y disolventes, trapos y otros materiales inflamables.
12. Infórmese del contenido de la pintura y de los disolventes que pulverice. Lea las hojas de datos sobre seguridad de los materiales (MSDS) y las etiquetas en los botes de pintura y disolvente. Siga las instrucciones de seguridad del fabricante de la pintura y del disolvente.
13. Coloque la bomba al menos a 7,62 metros (25 pies) del objeto que se va a pulverizar en una zona bien ventilada (añada más manguera si fuera necesario). Los vapores inflamables suelen ser más pesados que el aire. La zona del suelo debe estar muy

bien ventilada. La bomba contiene piezas que forman arcos que producen chispas y pueden inflamar los vapores.

14. El plástico puede producir chispas estáticas. Nunca utilice plástico para cercar la zona de pulverización. No utilice cortinas de plástico mientras pulveriza material inflamable.
15. Deberá contar con equipos extintores de incendios que funcionen correctamente.



ADVERTENCIA – Para reducir el riesgo de daños en la piel:



PELIGRO:

Lesión causada por inyección. La corriente de líquido a alta presión que produce este equipo puede perforar la piel y tejidos subcutáneos, pudiendo provocar graves lesiones y posibles amputaciones. Visite a un médico inmediatamente. NO TRATE UNA LESIÓN CAUSADA POR INYECCIÓN COMO UN SIMPLE CORTE.

1. No apunte con la pistola ni pulverice sobre ninguna persona ni animal.
2. Mantenga las manos y el resto del cuerpo lejos de la descarga. Por ejemplo, no trate de detener fugas con ninguna parte de su cuerpo.
3. Utilice siempre el protector de la boquilla. No pulverice sin el protector en su sitio.
4. Utilice solamente la boquilla especificada por el fabricante.
5. Tenga cuidado al limpiar y cambiar las boquillas. Si la boquilla se atasca durante la pulverización, ponga SIEMPRE el seguro del gatillo de la pistola, apague la bomba y libere toda la presión antes de reparar, limpiar el protector o la boquilla o cambiar la boquilla. La presión no se libera apagando el motor. Para liberar la presión hay que poner la manija de la válvula PRIME/SPRAY (cebar/pulverizar) en PRIME. Consulte el Procedimiento para liberar presión que se describe en el manual de la bomba.
6. No deje el aparato con corriente ni con presión cuando nadie esté pendiente de ella. Cuando no utilice el aparato, apáguelo y libere la presión siguiendo las instrucciones del fabricante.
7. La pulverización a alta presión puede inyectar toxinas en el cuerpo y producir daños graves en el mismo. En caso de que esto ocurra, visite a un médico inmediatamente.
8. Compruebe las mangueras y las piezas en busca de daños; una fuga puede inyectar material en la piel. Inspeccione la manguera antes de cada uso. Sustituya las mangueras o las piezas dañadas.
9. Este sistema es capaz de producir 3300 PSI / 22.8 MPa. Utilice solamente piezas de repuesto o accesorios especificados por el fabricante y con una capacidad nominal de 3300 PSI como mínimo. Entre ellos se incluyen boquillas pulverizadoras, protectores para las boquillas, pistolas, alargadores, racores y mangueras.
10. Ponga siempre el seguro del gatillo cuando no esté pulverizando. Verifique que el seguro del gatillo funciona correctamente.
11. Antes de utilizar el aparato, verifique que todas las conexiones son seguras.
12. Aprenda a detener el aparato y a liberar la presión rápidamente. Familiarícese a conciencia con los controles. La presión no se libera apagando el motor. Para liberar la presión hay que poner la manija de la válvula PRIME/SPRAY (cebar/pulverizar) en PRIME. Consulte el Procedimiento para liberar presión que se describe en el manual de la bomba.
13. Quite siempre la boquilla pulverizadora antes de enjuagar o limpiar el sistema.



Información de seguridad importante • Lea toda la información de seguridad antes de operar el equipo. **GUARDE ESTAS INSTRUCCIONES.**



ADVERTENCIA – Para reducir el riesgo de lesiones:

1. Cuando pinte, lleve siempre guantes, protección para los ojos, ropa y un respirador o máscara adecuados. Vapores peligrosos: Las pinturas, disolventes, insecticidas y otros materiales pueden ser perjudiciales si se inhalan o entran en contacto con el cuerpo. Los vapores pueden producir náuseas intensas, desmayos o envenenamiento.
2. Nunca utilice el aparato ni pulverice cerca de niños. Mantenga el equipo alejado de los niños en todo momento.
3. No se estire demasiado ni se apoye sobre un soporte inestable. Mantenga los pies bien apoyados y el equilibrio en todo momento.
4. No se distraiga y tenga cuidado con lo que hace.
5. No utilice el aparato si está fatigado o se encuentra bajo la influencia del alcohol o de las drogas.
6. No retuerza ni doble la manguera en exceso. En la manguera airless pueden aparecer fugas a causa del desgaste, de retorcimientos o de un mal uso. Una fuga puede inyectar material en la piel.
7. No exponga la manguera a temperaturas o presiones que superen las especificadas por el fabricante.
8. No utilice la manguera como elemento de fuerza para tirar del equipo o levantarlo.
9. Utilice la presión más baja posible para enjuagar el equipo.
10. Cumpla todos los reglamentos locales, estatales y nacionales pertinentes relativos a ventilación, prevención de incendios y funcionamiento.
11. Las normas sobre seguridad del gobierno de los Estados Unidos se han adoptado al amparo de la Ley de salud y seguridad ocupacional (OSHA). Deben consultarse tres normas, particularmente la sección 1910 de las Normas generales y la sección 1926 de las Normas sobre construcción.
12. Cada vez que vaya a utilizar el equipo, compruebe antes todas las mangueras en busca de cortes, fugas, abrasión o bultos en la cubierta. Compruebe el movimiento de los acoplamientos y si están dañados. Sustituya inmediatamente una manguera si descubre alguna de estas anomalías. No repare nunca una manguera de pintura. Sustitúyala por una manguera conductora a alta presión.
13. No pulverice al aire libre si hace viento.
14. Desenchúfe siempre el cable antes de trabajar en el equipo.

IMPORTANTE: No cargue el equipo por el asa del carrito durante la carga y descarga.

Seguridad con los motores de gasolina



El escape del motor de esta unidad contiene químicos que el Estado de California ha determinado causan cáncer, defectos de nacimiento u otros daños al sistema reproductor.

1. Los motores Robin-Subaru están diseñados para proporcionar un servicio seguro y fiable, si se utilizan de acuerdo a las instrucciones. Lea y entienda las instrucciones del Manual del Propietario de Robin-Subaru antes de utilizar el motor. De lo contrario, podría causar lesiones personales o daño al equipo.
2. Para evitar peligros de incendio y para proporcionar una ventilación adecuada, mantenga el motor por lo menos a 1 metro de los edificios y de otro equipo durante su uso. No coloque objetos inflamables cerca del motor.
3. Mantenga a los niños y las mascotas alejados de la zona de trabajo, pues existe la posibilidad de quemaduras causadas por

los componentes calientes del motor o lesiones causadas por cualquier equipo en el que se utilice el motor.

4. Sepa cómo apagar el motor rápidamente y comprenda el funcionamiento de todos los controles. Nunca permita a nadie operar el motor sin las instrucciones apropiadas.
5. La gasolina es extremadamente inflamable y es explosiva bajo ciertas condiciones.
6. Llene el tanque de combustible en un lugar bien ventilado y con el motor apagado. No fume ni permita que haya llamas ni chispas en la zona de llenado ni en donde se almacena el combustible.
7. No llene en exceso el tanque de combustible. Después de ponerle combustible, asegúrese de que la tapa del tanque esté cerrada completamente.
8. Tenga cuidado de no derramar el combustible. Los gases del combustible o el combustible derramado pueden encenderse. Si se derrama combustible, asegúrese de que la zona esté seca antes de encender el motor.
9. Nunca utilice el motor en un lugar encerrado o confinado. El escape contiene gas de monóxido de carbono venenoso; la exposición a este gas puede causar pérdida del conocimiento y puede conducir a la muerte.
10. El escape se calienta mucho durante su uso y permanece caliente durante un rato después de apagar el motor. Asegúrese de no tocar el escape cuando esté caliente. Para evitar quemaduras graves o peligros de incendio, deje que el motor se enfríe antes de transportarlo o guardarlo bajo techo.
11. Nunca envíe ni transporte la unidad con gasolina en el tanque.



No utilice este equipo para rociar agua o ácido.

Especificaciones

PowrLiner1800M

Capacidad (GPM).....	0.50 (1.90 LPM)
Tamaño max. de soportes.....	0.023"
Max presión de pulverización.....	3300 PSI (22.8 MPa)
Potencia.....	Motor de gasolina de 4.3 HP (Robin-Subaru)
Peso	120 lbs. (54.4 kg)

PowrLiner2800M

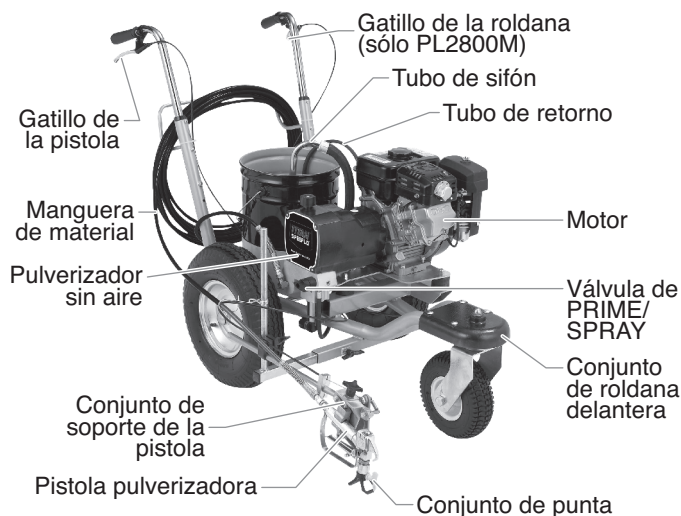
Capacidad (GPM).....	0.85 (3.22 LPM)
Tamaño max. de soportes.....	0.030"
Max presión de pulverización.....	3300 PSI (22.8 MPa)
Potencia.....	Motor de gasolina de 4.3 HP (Robin-Subaru)
Peso	138 lbs. (62.6 kg)

Contenido

Precauciones de seguridad.....	32
Especificaciones	33
Descripción general	34
Funcionamiento.....	34
Abastecimiento de combustible.....	34
Configuración	35
Preparación para pintar.....	36
Pintura	36
Operación de la roldana delantera	37
Procedimiento para aliviar la presión	37
Limpieza	38
Limpieza de la punta de pulverización	38
Mantenimiento	39
Notas generales de reparación y servicio	39
Mantenimiento del motor.....	39
Limpieza o reemplazo de filtros.....	40
Reemplazo de la válvula de PRIME/SPRAY.....	40
Reemplazo de interruptor ON/OFF	40
Reemplazo de los engranajes o del conjunto deslizante ..	41
Reemplazo del transductor	42
Mantenimiento del conjunto de embrague	42
Servicio a la sección de líquidos	45
Solución de problemas.....	46
Liste de piezas	48
Ensamblaje principal	48
Ensamblaje de la caja de engranajes	50
Ensamblaje de la sección de líquidos (PL1800M)	52
Ensamblaje de la sección de líquidos (PL2800M)	54
Conjuntos de carro	56
Conjuntos de rueda delantera	58
Conjunto de soporte de la pistola.....	60
Conjunto de freno (PL2800M).....	60
Conjunto de sifón	60
Accesorios.....	62
Garantía.....	64

Descripción general

El trazalíneas sin aire es una herramienta mecánica de precisión que se utiliza para pulverizar diversos tipos de materiales en varios tipos de aplicaciones, entre las que se encuentran, estacionamientos, aceras y pistas atléticas. Lea y siga este manual de instrucciones detenidamente para conocer las instrucciones de operación, de mantenimiento y la información de seguridad correspondiente.



Este equipo produce un flujo constante a presiones extremadamente altas. Lea detalladamente las advertencias de la sección Precauciones de seguridad en la parte delantera de este manual antes de operar este equipo.

Funcionamiento

Abastecimiento de combustible (motor de gasolina)



La gasolina es extremadamente inflamable y es explosiva en determinadas circunstancias.

- Apague SIEMPRE el motor antes de realizar el reabastecimiento.
- Realice el reabastecimiento en una zona bien ventilada.
- No fume ni permita que haya llamas ni chispas en el área de reabastecimiento de combustible ni donde se almacene la gasolina.
- No llene excesivamente el tanque de combustible. Tras repostar, asegúrese de que la tapa del tanque está adecuadamente cerrada y asegurada.
- Tenga cuidado de no derramar combustible cuando realiza el reabastecimiento. El combustible derramado o el vapor del combustible pueden inflamarse. Si se derrama combustible, asegúrese de que el área está seca antes de arrancar el motor.
- Evite el contacto prolongado o repetido con la piel, o respirar los vapores.
- Mantener fuera del alcance de los niños.

Especificaciones del combustible

- Utilice gasolina para automóviles que tenga un índice de octano en la bomba de 86 o más, o que tenga un índice de octano-investigación de 91 o más. El uso de una gasolina de menos octanos puede causar un persistente "picado" o "autoencendido" fuerte (un ruido metálico de golpes) que, si es grave, puede llegar a dañar el motor.

NOTA: Si el "autoencendido" o "picado" se produce a una velocidad constante del motor en condiciones de carga normal, cambie de marca de gasolina. Si el autoencendido o picado persiste, consulte a un distribuidor autorizado del fabricante del motor. No hacerlo se considera uso indebido, y los daños causados por la mala utilización no están cubiertos por la garantía limitada del fabricante del motor. Ocasionalmente, es posible que experimente ligeros "autoencendidos" cuando opera en condiciones de carga fuertes. No hay motivo para preocuparse, sólo significa que su motor está funcionando eficazmente.

- El combustible sin plomo produce menos depósitos en el motor y en las bujías y prolonga la vida de los componentes del sistema de escape.
- Nunca utilice gasolina deteriorada o contaminada ni una mezcla de aceite y gasolina. Evite introducir suciedad, polvo o agua en el tanque de combustible.

Gasolinas que contienen alcohol

Si decide utilizar una gasolina que contiene alcohol (gasohol), asegúrese de que su calificación en octanos es como mínimo tan alta como la recomendada por el fabricante del motor. Existen dos tipos de "gasohol": uno contiene etanol, y el otro contiene metanol. No utilice gasohol que contenga más del 10% de etanol. No utilice gasolina que contenga metanol (alcohol metílico o de madera) que no contenga también co-disolventes e inhibidores de la corrosión para el metanol. Nunca utilice gasolina que contenga más del 5% de metanol, incluso si tiene co-disolventes e inhibidores de la corrosión.

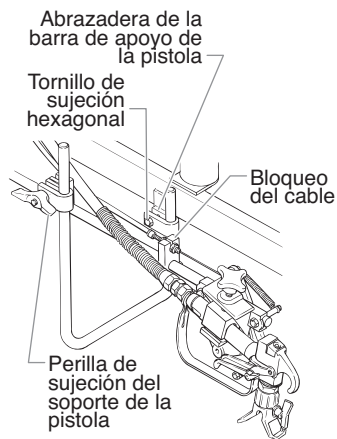
NOTA: Los daños en el sistema de combustible o los problemas de rendimiento del motor producidos como resultado del uso de combustibles que contengan alcohol no están cubiertos por la garantía. El fabricante del motor no puede respaldar el uso de combustibles que contengan metanol, ya que las evidencias de su adecuación son incompletas en estos momentos.

Antes de comprar gasolina en una gasolinera que no le sea familiar, trate de averiguar si la gasolina contiene alcohol. Si es así, confirme el tipo de alcohol utilizado y su porcentaje. Si advierte alguna característica no deseada en el funcionamiento mientras utiliza una gasolina que contenga alcohol, o que usted piensa que contiene alcohol, cambie a una gasolina que sepa que no contiene alcohol.

Configuración

Realice el siguiente procedimiento antes de arrancar el motor de un traza línea a gasolina.

1. Asegúrese de que la tubo de sifón y la de retorno estén conectadas y fijas.
2. Ubique la pistola pulverizadora.
 - a. Suelte el tornillo de sujeción hexagonal de la barra de apoyo y gire la barra de apoyo de la pistola a la posición que desee. Apriete firmemente el tornillo hexagonal.
 - b. Suelte la perilla de sujeción del soporte de la pistola y deslice la pistola pulverizadora a la posición vertical u horizontal que desee (de adelante hacia atrás). Apriete firmemente la perilla.
3. Gire completamente la perilla de control de presión en sentido contrario al de las agujas del reloj hasta el ajuste de presión más bajo.
4. Compruebe que el interruptor ON/OFF (Encendido/ Apagado) de la bomba esté en la posición OFF (Apagado).
5. Llene la copa de aceite de la sección de líquido con aproximadamente una cucharada de lubricante para el sello del pistón (Piston Lube).



NOTA: La altura de la pistola pulverizadora afecta el ancho del patrón de pulverización (es decir, mientras más abajo esté la pistola, más pequeño será el ancho de la línea). El tamaño de la punta también afecta el ancho de la línea.

IMPORTANTE: Nunca haga funcionar la unidad durante más de diez segundos sin líquido. Si se hace funcionar esta unidad sin líquido, se provocará un desgaste innecesario de las empaquetaduras.

7. Revise el nivel de aceite del motor. El fabricante determina el nivel de aceite del motor de gasolina. Consulte el manual de servicio técnico del fabricante del motor (se proporciona).
8. Cierre la palanca de cierre de combustible y llene el tanque con gasolina. Sólo utilice gasolina sin plomo de alta calidad.

NOTA: La barra de apoyo de la pistola y la pistola pulverizadora se pueden montar en cualquier lado del pulverizador. Para mover la barra de apoyo de la pistola:

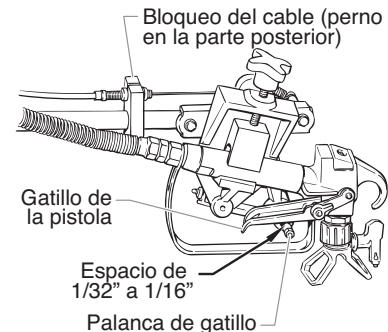
- a. Retire el tornillo de sujeción hexagonal y la tuerca de la barra de apoyo.
- b. Mueva la barra de apoyo de la pistola al lado opuesto del carro.
- c. Alinee la abrazadera de la barra de apoyo con el soporte del carro.
- d. Rosque el tornillo de sujeción hexagonal por la abrazadera de la barra de apoyo de la pistola y el soporte del carro. Coloque la tuerca en el extremo del tornillo de sujeción hexagonal y apriete firmemente.

Ajuste de la tensión del gatillo

Utilice el siguiente procedimiento para ajustar la tensión del resorte de la palanca de gatillo en el conjunto de soporte de la pistola. La palanca de gatillo tira y suelta el gatillo de la pistola pulverizadora cuando se opera con el gatillo del carro. La tensión correcta garantiza que la pistola se apagará cuando se suelte el gatillo. Para garantizar la tensión correcta, debe haber un espacio de aproximadamente 1/32" a 1/16" entre la palanca de gatillo y el gatillo de la pistola pulverizadora.

IMPORTANTE: Mantenga siempre el seguro del gatillo de la pistola pulverizadora en la posición bloqueada mientras ajusta el sistema.

1. Use una llave para soltar el perno en el bloqueo del cable.
2. Mueva el bloqueo del cable en la dirección correcta para crear un espacio de 1/32" a 1/16" entre la palanca de gatillo y el gatillo de la pistola pulverizadora.
 - a. Deslice el bloqueo del cable hacia la pistola para aumentar el espacio entre la palanca de gatillo y el gatillo de la pistola pulverizadora.
 - b. Deslice el bloqueo del cable lejos de la pistola para disminuir el espacio entre la palanca de gatillo y el gatillo de la pistola pulverizadora.



3. Apriete firmemente el tornillo de fijación.

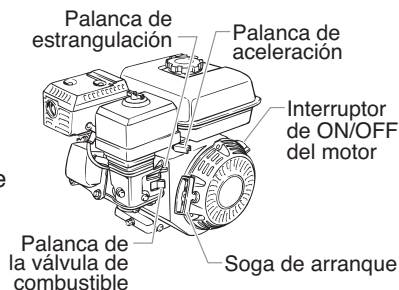
Preparación de un rociador nuevo

Si esta unidad es nueva, se envía con un líquido de prueba en la sección de líquidos para evitar la corrosión durante el envío y almacenamiento. Este líquido debe retirarse completamente del sistema con alcoholes minerales antes de comenzar a rociar.

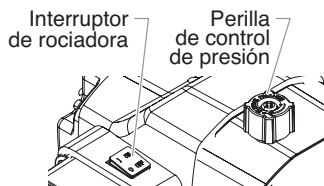
IMPORTANTE: Mantenga siempre el seguro del gatillo de la pistola rociadora en la posición bloqueada mientras prepara el sistema.

1. Coloque el tubo del sifón en un recipiente con alcoholes minerales que tengan un punto de inflamación de 60° C (140° F) o superior.
2. Coloque la manguera de retorno en el contenedor de desechos de metal.
3. Gire completamente la perilla de control de presión en sentido contrario al de las agujas del reloj hasta el ajuste de presión más bajo.
4. Mueva la válvula PRIME/SPRAY a la posición PRIME.
5. Mueva el interruptor ON/OFF del motor a la posición ON.

6. Arranque el motor:
 - a. Abra la palanca de la válvula de combustible.
 - b. Mueva la palanca de aceleración lejos del tanque de gasolina.
 - c. Cierre la palanca de estrangulación del motor.
 - d. Sostenga la



7. Encienda el pulverizador moviendo el interruptor ON/OFF del pulverizador a la posición ON.
8. Gire lentamente la perilla de control de presión en el sentido de las agujas del reloj para aumentar la presión hasta que empiece a salir líquido de la manguera de retorno. Use sólo la presión suficiente para mantener la salida de líquido.
9. Deje que el pulverizador funcione durante 15 a 30 segundos para eliminar el líquido de prueba por la manguera de retorno y hacia el contenedor de desechos de metal.
10. Gire completamente la perilla de control de presión en sentido contrario al de las agujas del reloj hasta el ajuste más bajo.
11. Apague el pulverizador moviendo el interruptor ON/OFF del pulverizador a la posición OFF.



Preparación para pintar

Antes de pintar, es importante revisar que el líquido del sistema sea compatible con la pintura que va a utilizar.

NOTA: Los líquidos y pinturas incompatibles pueden causar que se atasquen cerradas las válvulas, lo cual puede necesitar que se desmonte y limpie la sección de líquidos del rociador.

IMPORTANTE: Mantenga siempre el seguro del gatillo de la pistola rociadora en la posición bloqueada mientras prepara el sistema.

1. Coloque el tubo del sifón en un recipiente con el solvente adecuado para el material que se vaya a pulverizar (consulte las recomendaciones del fabricante del material). Un ejemplo del solvente adecuado es el agua para la pintura látex.
2. Coloque la manguera de retorno en el contenedor de desechos de metal.
3. Gire completamente la perilla de control de presión en sentido contrario al de las agujas del reloj hasta el ajuste de presión más bajo.
4. Mueva la válvula PRIME/SPRAY a la posición PRIME.

NOTA: Sujete el tubo de retorno en el contenedor de residuos al mover el PRIME / SPRAY válvula de PRIME en caso de que el pulverizador es presurizado.

5. Mueva el interruptor ON/OFF del motor a la posición ON.
6. Arranque el motor:
 - a. Abra la palanca de la válvula de combustible.
 - b. Mueva la palanca de aceleración lejos del tanque de gasolina.
 - c. Cierre la palanca de estrangulación del motor.
 - d. Sostenga la estructura con una mano, y tire la soga de arranque rápida y firmemente. Continúe sosteniendo la soga mientras ésta se devuelve. Tire y regrese la soga hasta que arranque el motor.

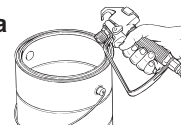
7. Encienda el pulverizador moviendo el interruptor ON/OFF del pulverizador a la posición ON.
8. Gire lentamente la perilla de control de presión en el sentido de las agujas del reloj para aumentar la presión hasta que empiece a salir líquido de la manguera de retorno. Use sólo la presión suficiente para mantener la salida de líquido.
9. Deje que el pulverizador funcione durante 15 a 30 segundos para eliminar el solvente antiguo por la manguera de retorno y hacia el contenedor de desechos de metal.
10. Gire completamente la perilla de control de presión en sentido contrario al de las agujas del reloj hasta el ajuste más bajo.
11. Apague el pulverizador moviendo el interruptor ON/OFF del pulverizador a la posición OFF.

NOTA: Fíjese que la pistola rociadora no tenga instalada una punta o protección de punta.

12. Mueva la válvula PRIME/SPRAY a la posición SPRAY.
13. Encienda el pulverizador.
14. Gire lentamente la perilla de control de presión en el sentido de las agujas del reloj para aumentar la presión.
15. Desbloquee la pistola girando el seguro de su gatillo a la posición desbloqueada.



Conecte a tierra la pistola apoyándola contra el borde del recipiente de metal mientras elimina el líquido. De lo contrario puede provocar la descarga de electricidad estática, lo cual a su vez puede ocasionar un incendio.



16. Apriete el gatillo de la pistola hacia el contenedor de desechos de metal hasta que ya no quede solvente antiguo y comience a salir solvente nuevo.
17. Bloquee la pistola girando el seguro de su gatillo a la posición bloqueada.
18. Baje la pistola y aumente la presión girando la perilla de control de presión lentamente en el sentido de las agujas del reloj hacia el ajuste más alto.
19. Revise que el sistema no tenga fugas. Si las hay, apague el pulverizador y siga el "Procedimiento de liberación de presión" de este manual antes de apretar cualquier conexión o manguera.
20. Siga el "Procedimiento de liberación de presión" de este manual antes de cambiar del solvente a la pintura.

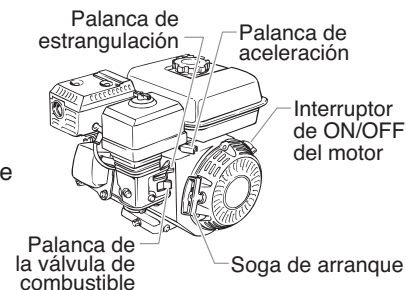


No deje de seguir el procedimiento para aliviar la presión cuando apague la unidad por cualquier motivo, incluso el servicio o ajuste de alguna pieza del sistema de rociado, cambio o limpieza de las puntas rociadoras o la preparación para la limpieza.

Pintura

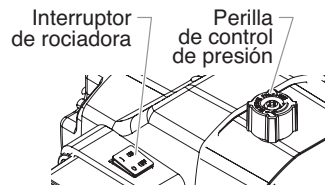
1. Coloque el tubo de sifón en un recipiente con pintura.
2. Coloque la manguera de retorno en el contenedor de desechos de metal.
3. Gire completamente la perilla de control de presión en sentido contrario al de las agujas del reloj hasta el ajuste de presión más bajo.
4. Mueva la válvula PRIME/SPRAY a la posición PRIME.
5. Mueva el interruptor ON/OFF del motor a la posición ON.

6. Arranque el motor:
 - a. Abra la palanca de la válvula de combustible.
 - b. Mueva la palanca de aceleración lejos del tanque de gasolina.
 - c. Cierre la palanca de estrangulación del motor.
 - d. Sostenga la estructura con una mano, y tire la soga de arranque



rápida y firmemente. Continúe sosteniendo la soga mientras ésta se devuelve. Tire y regrese la soga hasta que arranque el motor.

- Encienda el pulverizador moviendo el interruptor ON/OFF del pulverizador a la posición ON.



- Gire lentamente la perilla de control de presión en el sentido de las agujas del reloj para aumentar la presión hasta que empiece a salir líquido de la manguera de retorno. Use sólo la presión suficiente para mantener la salida de líquido.
- Deje que el pulverizador funcione hasta que salga pintura por la manguera de retorno hacia el contenedor de desechos de metal.
- Gire completamente la perilla de control de presión en sentido contrario al de las agujas del reloj hasta el ajuste más bajo.
- Apague el pulverizador moviendo el interruptor ON/OFF del pulverizador a la posición OFF.
- Retire la manguera de retorno del contenedor de desechos y colóquela en la posición de funcionamiento sobre el recipiente con pintura.
- Mueva la válvula PRIME/SPRAY a la posición SPRAY.
- Encienda el pulverizador.
- Gire lentamente la perilla de control de presión en el sentido de las agujas del reloj para aumentar la presión.
- Desbloquee la pistola girando el seguro de su gatillo a la posición desbloqueada.



Conecte a tierra la pistola apoyándola contra el borde del recipiente de metal mientras elimina el líquido. De lo contrario puede provocar la descarga de electricidad estática, lo cual a su vez puede ocasionar un incendio.



- Apriete el gatillo de la pistola hacia el contenedor de desechos de metal hasta que salga todo el aire y el solvente de la manguera de pulverización, y hasta que la pintura fluya sin problemas por la pistola.
- Bloquee la pistola girando el seguro de su gatillo a la posición bloqueada.
- Gire completamente la perilla de control de presión en sentido contrario al de las agujas del reloj hasta el ajuste más bajo.
- Apague el pulverizador.
- Conecte la protección de la punta y la punta en la pistola como se indica en los manuales de protección de la punta o punta.



POSIBLE PELIGRO DE INYECCIÓN. No rocíe sin la protección de la punta en su lugar. Nunca apriete el gatillo de la pistola a menos que la punta esté en la posición de rociado o desatasco. Siempre coloque el seguro del gatillo de la pistola antes de retirar, reemplazar o limpiar la punta.

- Encienda el pulverizador.
- Aumente la presión con la perilla de control de presión girándola lentamente en el sentido de las agujas del reloj. Pruebe el patrón de pulverización y la posición de la línea en una pieza grande de fieltro impermeable o cartón.
 - Ajuste la perilla de control de presión hasta que se atomice completamente la pulverización de la pistola. Intente mantener la perilla de control de presión en el ajuste más bajo que mantenga una buena atomización.

NOTA: Si se sube la presión más de lo necesario para atomizar la pintura causará el desgaste prematuro de la punta y rociará en exceso.

- Revise que exista un ancho y posición de línea adecuados. Si se necesita ajustar la posición de

la pistola pulverizadora, consulte el procedimiento "Configuración" descrito anteriormente en esta sección.

- Asegúrese de que la pistola pulverizadora se apague completamente cuando se suelte el gatillo de la pistola. Si se necesita ajustar la tensión del gatillo, consulte el procedimiento "Ajuste de la tensión del gatillo" descrito anteriormente en esta sección.

Operación de la roldana delantera

PowrLiner 1800M

La roldana delantera del carro está diseñada para seguir al pulverizador en una línea recta o en movimiento libre.

- Para bloquear la roldana delantera en la posición de línea recta, gire la palanca sobre la roldana en el sentido de las agujas del reloj hasta que se detenga.
- Para permitir un movimiento libre, gire la palanca sobre la roldana en el sentido de las agujas del reloj, aproximadamente 1/2 giro o hasta que la roldana gire libremente.

PowrLiner 2800M

La roldana delantera del carro está diseñada para seguir al pulverizador en una línea recta o en movimiento libre. Desde atrás del pulverizador, el gatillo en la manilla izquierda del carro controla la operación de la roldana delantera.

- Para bloquear la roldana delantera en la posición de línea recta, apriete y suelte el gatillo de la roldana, y mueva el pulverizador hacia delante.
- Para permitir un movimiento libre de la roldana delantera, apriete y mantenga presionado el gatillo de la roldana.

NOTA: Para bloquear la roldana delantera en el modo de movimiento libre, apriete y mantenga apretado el gatillo de la roldana y luego apriete el botón de bloqueo al lado del gatillo. Luego de presionar el botón de bloqueo, se puede soltar el gatillo de la roldana. Para soltar el pasador de inmovilización, apriete el gatillo de la roldana.

Procedimiento para aliviar la presión



No deje de seguir el procedimiento para aliviar la presión cuando apague la unidad por cualquier motivo, incluso el servicio o ajuste de alguna pieza del sistema de rociado, cambio o limpieza de las puntas rociadoras o la preparación para la limpieza.

- Bloquee la pistola girando el seguro del gatillo de la pistola a la posición bloqueada.
- Apague la unidad moviendo el interruptor de ON/OFF a la posición OFF.
- Mueva el interruptor ON/OFF del motor a la posición OFF.
- Gire completamente la perilla de control de presión en sentido contrario al de las agujas del reloj hasta el ajuste más bajo.
- Desbloquee la pistola girando el seguro del gatillo de la pistola a la posición liberada.
- Sostenga firmemente la parte metálica de la pistola contra el lado de un recipiente metálico para conectar a tierra la pistola y evitar la acumulación de electricidad estática.
- Accione el gatillo para aliviar toda presión que haya quedado en la manguera.
- Bloquee la pistola girando el seguro del gatillo de la pistola a la posición bloqueada.
- Mueva hacia abajo la válvula PRIME/SPRAY a la posición PRIME.



Limpieza



Instrucciones de limpieza especiales para usar con solventes inflamables:

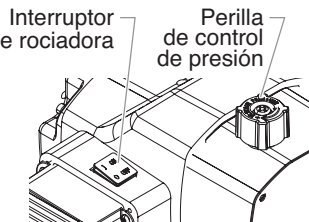
- Siempre lave la pistola rociadora preferiblemente afuera y alejada por lo menos un largo de manguera de la bomba rociadora.
- Si recoge los solventes lavados en un recipiente metálico de un galón, colóquelo en un recipiente vacío de cinco galones, luego lave los solventes.
- El área debe estar libre de vapores inflamables.
- Siga todas las instrucciones de limpieza.

IMPORTANTE: Deben limpiarse el rociador, la manguera y la pistola totalmente después del uso diario. De lo contrario, se permite la acumulación de material, afectando seriamente el rendimiento de la unidad.



Siempre rocíe con la presión mínima y sin la boquilla de la pistola al utilizar alcoholes minerales u otros solventes para limpiar el rociador, la manguera o la pistola. La acumulación de electricidad estática puede producir un incendio o explosión en la presencia de vapores inflamables.

1. Siga el “Procedimiento de alivio de presión” de la sección Operación de este manual.
2. Retire la punta de la pistola y la protección y limpie con un cepillo usando el solvente adecuado.
3. Coloque el tubo del sifón en un recipiente con el solvente adecuado (consulte las recomendaciones del fabricante del material). Un ejemplo del solvente adecuado es el agua para la pintura látex.
4. Coloque la manguera de retorno en un recipiente metálico para desecho.
5. Mueva hacia abajo la válvula PRIME/SPRAY a su posición PRIME.
6. Mueva el interruptor ON/OFF del motor a la posición ON y arránquelo.
7. Encienda la unidad moviendo el interruptor de ON/OFF a la posición ON.
8. Gire lentamente la perilla de control de presión en el sentido de las agujas del reloj para aumentar la presión hasta que empiece a salir líquido de la manguera de retorno.
9. Deje circular el solvente a través de la unidad y purgue la pintura de la manguera de retorno hacia el recipiente metálico para desecho.
10. Gire completamente la perilla de control de presión en sentido contrario al de las agujas del reloj hasta el ajuste de presión más bajo.
11. Apague la unidad moviendo el interruptor de ON/OFF a la posición OFF.
12. Mueva hacia arriba la válvula PRIME/SPRAY a su posición SPRAY.
13. Encienda la unidad.
14. Gire lentamente la perilla de control de presión en el sentido de las agujas del reloj para aumentar la presión.



Conecte a tierra la pistola apoyándola contra el borde del recipiente de metal mientras elimina el líquido. De lo contrario puede provocar la descarga de electricidad estática, lo cual a su vez puede ocasionar un incendio.



15. Dispare la pistola en el recipiente metálico para desecho hasta que se haya purgado toda la pintura de la manguera y esté saliendo solvente de la pistola.

16. Continúe apretando el gatillo de la pistola rociadora en el recipiente de desecho hasta que el solvente que salga por la pistola esté sin pintura.

NOTA: Para el almacenamiento a largo plazo o en temperaturas frías, haga pasar alcoholes minerales a través del sistema completo.

17. Siga el “Procedimiento de alivio de presión” de la sección Operación de este manual.
18. Desenchufe la unidad y almacénela en un área limpia y seca.

IMPORTANTE: No almacene la unidad bajo presión.

Limpieza de la punta de pulverización

1. Limpie la pistola con solvente inmediatamente después de terminar el trabajo.
2. Aceite los pasadores deslizantes para evitar que se agarroten.

En caso de que la punta de pulverización se obstruya, inviértala con la palanca y apriete el gatillo. Luego que la obstrucción salga de la punta de pulverización, suelte el gatillo, inviértala de vuelta al ajuste de patrón de pulverización y continúe pulverizando.



No intente limpiar la punta con sus dedos.

No utilice una aguja u otro artículo con punta afilada para limpiar la punta de pulverización. El carburo de tungsteno duro es quebradizo y se puede desportillar.

Mantenimiento



Antes de proceder, siga el Procedimiento de alivio de presión presentado anteriormente en este manual. Además, siga todas las otras advertencias para reducir el riesgo de una lesión por inyección, lesiones por piezas en movimiento o choque eléctrico.

NOTA: Un centro de servicio técnico autorizado de Robin-Subaru debe realizar todos los trabajos en motores Robin-Subaru.

Notas generales de reparación y servicio

Se necesitan las herramientas siguientes para reparar el rociador:

Destornillador Phillips	Llave hexagonal de 3/8 de pulgada
Alicates de punta	Llave hexagonal de 5/16 de pulgada
Llave ajustable	Llave hexagonal de 1/4 de pulgada
Mazo de goma	Llave hexagonal de 3/16 de pulgada
Destornillador de paleta	Llave hexagonal de 1/8 de pulgada
Llave española de 1/2"	Llave española de 7/8"

1. Antes de reparar alguna parte del rociador, lea minuciosamente las instrucciones, incluidas todas las advertencias.

IMPORTANTE: Nunca tire del cable para desconectarlo. Al hacerlo podría soltarse el conector del cable.

2. Pruebe su reparación antes de usar rociador normalmente para verificar que se haya resuelto el problema. Si el rociador no funciona bien, revise el procedimiento de reparación para determinar si todo se ha realizado en forma correcta. Consulte los cuadros de Solución de problemas para ayudar a identificar otros problemas posibles.
3. Compruebe que el área de servicio esté bien ventilada en caso de que se estén utilizando solventes durante la limpieza. Al hacer el mantenimiento siempre use gafas de protección. Puede que se necesite equipo protector adicional dependiendo del tipo de solvente de limpieza. Siempre pida recomendaciones al proveedor de solventes.
4. Si tiene otras preguntas referentes al rociador Titan, llame a Titan:

Servicio al cliente (EE.UU.)..... **1-800-526-5362**
Fax **1-800-528-4826**

Mantenimiento del motor



Cuando transporte un pulverizador con motor de gasolina, asegúrese de que esté cortado el paso de combustible.

NOTA: Para conocer las especificaciones y el mantenimiento del motor, consulte el manual del motor por separado que se proporciona con este pulverizador.

Características importantes de este pulverizador

Este pulverizador impulsado por gasolina cuenta con un embrague que se engancha cuando el pulverizador bombea. El sistema de control de presión del pulverizador engancha y desengancha el embrague para controlar la presión. Para evitar un desgaste innecesario del embrague, se aconseja ajustar la velocidad y la presión del motor para que se restrinja la cantidad de veces que el embrague se engancha y desengancha. Con el fin de reducir el desgaste del embrague, consulte los siguientes ejemplos.

Ejemplo:

Trabajo con una pistola con una punta de 0.019": Reduzca la velocidad del motor ajustando la palanca de aceleración en un ajuste bajo o medio y aumente la presión solamente hasta que se hayan eliminado los extremos gruesos del patrón de pulverización.

Ejemplo:

Trabajo con una pistola con una punta de 0.025": Aumente la velocidad del motor a un ajuste mayor y aumente la presión hasta que se hayan eliminado los extremos gruesos del patrón de pulverización.

Ejemplo:

Pulverización de materiales de baja densidad a baja presión: Para reducir la sobrecarga en la pistola y para disminuir el desgaste del embrague, reduzca la velocidad del motor hasta dejarlo inactivo y reduzca la presión hasta lograr el patrón de pulverización que desee.

Mantenimiento de rutina del motor

Diariamente

- Revise y llene el tanque de gasolina.
- Después de las primeras 20 horas de funcionamiento, drene el aceite y vuelva a llenar con aceite limpio. Revise el nivel de aceite del motor y llene según sea necesario.

Semanalmente

- Retire la cubierta del filtro de aire y limpie el elemento. Reemplace el elemento si fuese necesario. Si opera la unidad en un entorno inusualmente sucio, revise el filtro diariamente y reemplácelo si fuese necesario. (Puede adquirir los repuestos por medio de su distribuidor local de Titan).
- Después de cada 50 horas de funcionamiento: cambie el aceite del motor.

Bujía de encendido

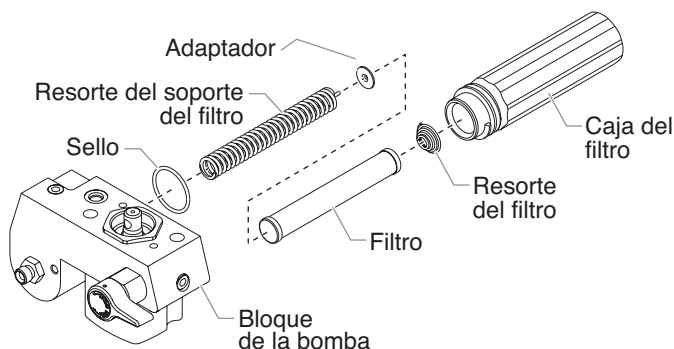
- Utilice solamente una bujía (NGK) BR6HS o Champion RL86C.
- Separe los electrodos de la bujía de 0.020" a 0.030"
- Asegúrese de utilizar una llave para la bujía de encendido cuando la instale o retire.

Limpeza o reemplazo de filtros

Filtro de la bomba

1. Suelte y retire la caja del filtro.
2. Quite el filtro del resorte del soporte del filtro.
3. Inspeccione el filtro. Según sea la inspección, limpie o reemplace el filtro.
4. Inspeccione el sello. Según sea la inspección, limpie o reemplace el sello.
5. Deslice el nuevo filtro o limpiar el filtro de apoyo durante la primavera con el adaptador en su lugar. Empuje el filtro en el centro del bloque de la bomba.
6. Deslice la caja del filtro sobre el filtro y atornillela en el bloque de la bomba hasta que quede firme.

NOTA: El filtro debe ser más estricto a mano, pero asegúrese de que el caje del filtro es de asientos plenamente en el bloque de la bomba.



Filtro de la pistola

1. Tire la parte inferior del guardamonte hacia delante para que se suelte del conjunto del mango.
2. Suelte y retire el conjunto del mango de la cabeza de la pistola.
3. Tire el filtro antiguo fuera de la cabeza de la pistola.
4. Deslice el nuevo filtro en el cabezal de la pistola (primero el extremo cónico).
5. Asegúrese de que el sello del mango esté en posición y enrosque el conjunto del mango en la cabeza de la pistola hasta que esté fijo.
6. Fije el guardamonte de vuelta al conjunto del mango.

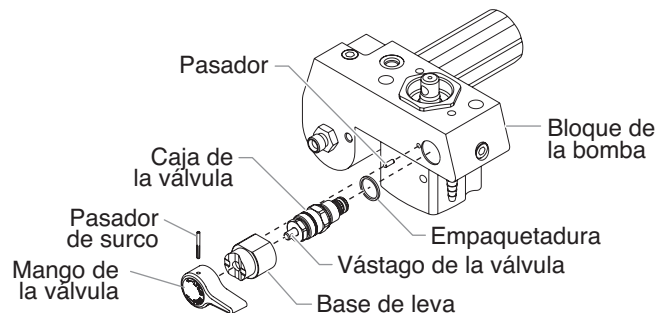


Reemplazo de la válvula de PRIME/SPRAY

Usando el juego de reemplazo de la válvula PRIME/SPRAY N/P 800-915 o 700-258 realice el procedimiento a continuación.

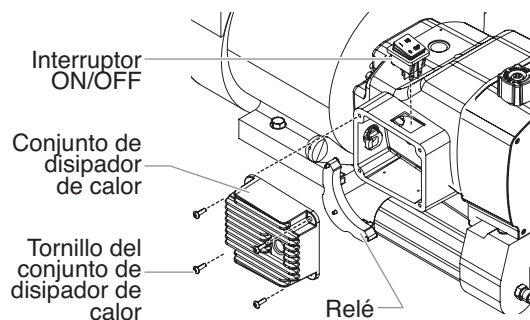
1. Empuje el pasador de surco fuera del mango de la válvula.
2. Retire el mango de la válvula y la base de leva.
3. Con una llave, suelte y retire la caja de la válvula.
4. Fíjese que la empaquetadura esté en su sitio y atornille la caja de la válvula nueva en el bloque de la bomba. Apriete firmemente con la llave.
5. Coloque la base de leva sobre el ensamblaje de la caja de la válvula. Lubrique la base de leva con grasa y alinee la leva con el bloque de la bomba.
6. Alinee el agujero del vástago de la válvula con el agujero del mango de la válvula.

7. Inserte el pasador de surco en el mango de la válvula y a través del vástago de la válvula para asegurar el mango de la misma en posición.



Reemplazo del interruptor ON/OFF del pulverizador

1. Realice el procedimiento de liberación de presión.
2. Use un destornillador Phillips para retirar los cuatro tornillos que fijan el conjunto de disipador de calor a la carcasa. Retire cuidadosamente el conjunto de disipador de calor de la carcasa. Mueva cuidadosamente el conjunto lejos del pulverizador y deje que cuelgue de la carcasa.
3. Ubique la parte inferior del interruptor ON/OFF del pulverizador dentro de la carcasa.



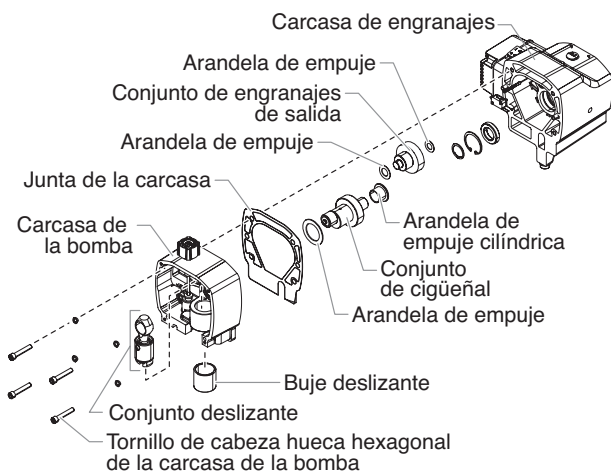
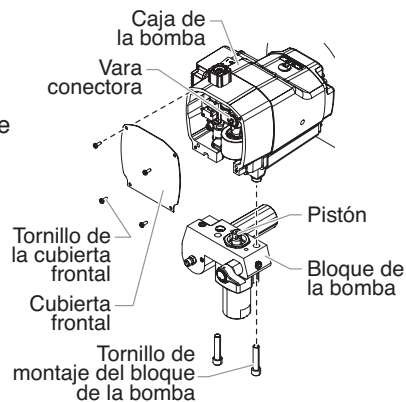
4. Desconecte los cables del interruptor desde el interruptor ON/OFF del pulverizador. Recuerde las ubicaciones de ambos cables (etiquételos si fuese necesario).
5. Presione las lengüetas de montaje en cada esquina del interruptor ON/OFF del pulverizador dentro de la carcasa y retire el interruptor a través de la parte superior de la carcasa.
6. Fije el nuevo interruptor ON/OFF del pulverizador en el orificio del interruptor en la carcasa.
7. Conecte ambos cables del interruptor en el nuevo interruptor ON/OFF del pulverizador. Asegúrese de que los cables estén conectados en las terminales correspondientes de donde se sacaron (consulte las etiquetas que hizo al principio del procedimiento o el esquema eléctrico en la sección Lista de piezas de este manual).
8. Coloque cuidadosamente el conjunto de disipador de calor sobre la carcasa teniendo cuidado de no apretar ningún cable.
9. Instale los cuatro tornillos que fijan el conjunto de disipador de calor a la carcasa. Apriete firmemente.

Reemplazo de los engranajes o del conjunto deslizante

1. Use un destornillador Phillips para retirar los cuatros tornillos de la cubierta delantera. Retire la cubierta delantera.
2. Arranque el motor (consulte los procedimientos de la sección Operación de este manual). Gire la perilla de control de presión en el sentido de las agujas del reloj hasta el ajuste de presión máximo.
3. Active el interruptor ON/OFF del pulverizador entre las posiciones ON y OFF en descargas cortas hasta que el conjunto deslizante y el pistón se detengan en la parte inferior de su recorrido (en su posición más baja).
4. Apague el motor y realice el procedimiento de liberación de presión.

NOTA: Si reemplaza el conjunto deslizante, la sección de líquido se debe retirar de la carcasa de la bomba.

5. Use una llave hexagonal de 3/8" para retirar ambos tornillos de cabeza hueca hexagonal que fijan la sección de líquido a la carcasa de la bomba.
6. Baje la carcasa de la sección de líquido a aproximadamente 1/2" desde la carcasa de la caja de engranajes para despejar el transductor.
7. Deslice la carcasa de la sección de líquido y la biela del pistón hacia adelante hasta que ésta última salga de la ranura en T del conjunto deslizante.
8. Use una llave hexagonal de 1/4" para retirar los cuatro tornillos de cabeza hueca hexagonal que fijan la carcasa de la bomba a la carcasa de engranajes.



9. Deslice la carcasa de la bomba lejos de la carcasa de engranajes.
10. Retire y limpie la junta de la carcasa. Reemplácela si tiene daños.
11. Deslice el conjunto de cigüeñal, con ambas arandelas de empuje, hacia fuera del lado de la carcasa de engranajes de la carcasa de la bomba.
12. Retire el conjunto de engranajes de salida con ambas arandelas de empuje.
13. Limpie completamente el conjunto de cigüeñal, el conjunto de engranajes de salida y todas las arandelas de empuje.

14. Revise todas las piezas para detectar si hubo desgaste y reemplácelas si están dañadas o desgastadas. Si reemplaza el conjunto de cigüeñal o de engranajes de salida, también reemplace las arandelas de empuje correspondientes.
15. Revise los engranajes del piñón en el extremo del eje de transmisión para detectar si están desgastados. Reemplácelos si están dañados o desgastados (consulte el procedimiento "Mantenimiento del conjunto de embrague" en esta sección).

NOTA: Si cualquiera de los engranajes está desgastado y necesita reemplazarlo, revise si la grasa en la carcasa de engranajes contiene partículas o virutas de metal. Retire la grasa contaminada y reemplace la grasa que se retiró con grasa nueva Lubriplate GR-132.

16. Deslice el conjunto deslizante hacia arriba y fuera del buje deslizante en la parte delantera de la carcasa de la bomba.
17. Revise el desgaste de las piezas.
 - a. Si el buje deslizante está mellado u ovalado, se debe reemplazar la carcasa de la bomba.
 - b. Si el conjunto deslizante está mellado o la conexión entre la biela de conexión y el conjunto deslizante muestra movimientos diferentes al movimiento de pivote, se debe reemplazar el conjunto deslizante. El conjunto deslizante también se debe reemplazar si el rodamiento de la biela de conexión muestra señales de desgaste.
 - c. Cualquier pieza que se vuelva a utilizar se debe limpiar completamente, lo que incluye la biela de conexión. También limpie el pasador del cigüeñal sobre el cual viaja el rodamiento de la biela de conexión.
18. Aplique grasa nueva Lubriplate GR-132 al conjunto de engranajes de salida y a cada lado de sus arandelas de empuje. Coloque las arandelas de empuje sobre los ejes correspondientes del conjunto de engranajes de salida.
19. Lubrique el conjunto de engranajes de salida con grasa nueva Lubriplate GR-132. Inserte el conjunto de engranajes en el perforado de la carcasa de engranajes, primero el extremo del engranaje. Los dientes en el engranaje coincidirán con los dientes en el piñón del eje de transmisión.
20. Aplique abundante grasa Lubriplate GR-132 en todas las superficies de la arandela de empuje del conjunto del cigüeñal cilíndrico.
21. Deslice el extremo plano de la arandela de empuje cilíndrica detrás del engranaje del conjunto de engranajes de salida, alineando su perforado con el perforado del rodamiento de la carcasa de engranajes del conjunto de cigüeñal.
22. Lubrique el engranaje del conjunto de cigüeñal con grasa nueva Lubriplate GR-132. Deslice el eje del lado del engranaje del cigüeñal por la arandela de empuje cilíndrica y hacia el perforado dentro de la carcasa de engranajes.
23. Coloque el pasador sobre el extremo del cigüeñal hacia la parte inferior de la carcasa de engranajes (la posición del punto muerto de la parte inferior).
24. Lubrique ambas superficies de la arandela de empuje grande del conjunto de cigüeñal con grasa nueva Lubriplate GR-132. Coloque la arandela de empuje en el cigüeñal contra el engranaje.
25. Coloque la junta de la carcasa sobre los pasadores de espiga de la carcasa de engranajes.
26. Lubrique el exterior del conjunto deslizante y el interior del buje deslizante con aceite. Llene la copa deslizante con grasa Lubriplate 1242 (la copa deslizante es el área del conjunto deslizante donde la biela de conexión y la corredera se unen y pivotan).
27. Inserte el conjunto deslizante en el buje deslizante.
28. Coloque cuidadosamente el conjunto de carcasa de la bomba delante del conjunto de carcasa de engranajes, alineando los pasadores de espiga de la carcasa de engranajes con sus orificios correspondientes en la

carcasa de la bomba. Deslice la carcasa de la bomba sobre la carcasa de engranajes hasta que no haya espacio entre las carcasas y la junta.

NOTA: Mientras desliza la carcasa de la bomba en su lugar, el pasador del cigüeñal comenzará a sobresalir desde el rodamiento en el centro de la carcasa de la bomba. Coloque el conjunto deslizante de forma que se enganche con el rodamiento de la biela de conexión a medida que el pasador del cigüeñal sobresale desde el rodamiento principal.

IMPORTANTE: No fuerce la unión de la carcasa de la bomba y la carcasa de engranajes.

29. Ubique los cuatro tornillos de cabeza hueca hexagonal y las arandelas de seguridad que fijan la carcasa de la bomba a la carcasa de engranajes.
30. Use una llave hexagonal de 1/4" para ajustar y apretar los tornillos de cabeza hueca hexagonal de manera cruzada. Apriete de 200 a 230 pulg./lb.
31. Deslice la parte superior de la biela del pistón en la ranura en T en el conjunto deslizante.
32. Coloque el bloque de la bomba debajo de la carcasa de la caja de engranajes y presione hacia arriba hasta que se apoye contra la carcasa de la caja de herramientas.
33. Inserte los dos tornillos de cabeza hueca hexagonal que fijan la sección de líquido a la carcasa de la bomba y fije, apriete y aplique torsión a los tornillos de 400 a 440 pulg./lb.
34. Coloque la cubierta delantera sobre la carcasa de la bomba. Fije la cubierta delantera con los cuatro tornillos correspondientes.

Reemplazo del transductor

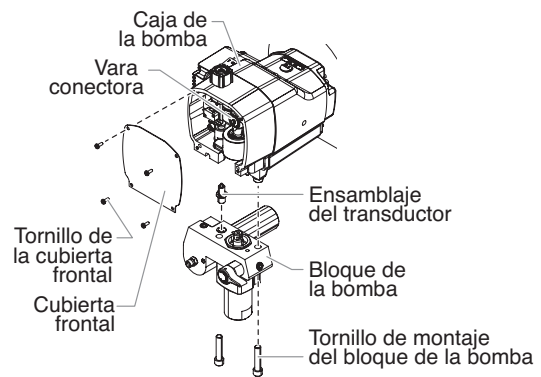
1. Suelte y retire los cuatro tornillos de la cubierta frontal. Desmonte la cubierta delantera.
2. Detenga el rociador en la parte de abajo de la carrera de tal modo que el pistón esté en su posición más baja.
3. Siga el "Procedimiento de alivio de presión" y desenchufe la unidad.



Antes de proceder, siga el Procedimiento de alivio de presión presentado anteriormente en este manual. Además, siga todas las otras advertencias para reducir el riesgo de una lesión por inyección, lesiones por piezas en movimiento o choque eléctrico.

4. Incline la bomba hacia atrás para ingresar más fácilmente a la sección de líquido.
5. Usando una llave hexagonal de 3/8 de pulgada, suelte y retire los dos tornillos de montaje del bloque de la bomba.
6. Baje el bloque de la bomba aproximadamente 1/2 pulgadas de la caja de la bomba para dejar paso al transductor.
7. Deslice el bloque de la bomba y la vara del pistón hacia adelante hasta que la vara del pistón quede fuera de la ranura en T de la vara conectora.
8. Utilizando una llave inglesa, quite el transductor montaje de la bloque de la bomba.
9. Inserte de la nueva asamblea transductor en el bloque de la bomba. Apriete con una llave.
10. Vuelva a ensamblar la bomba invirtiendo los pasos del 1 al 8.

IMPORTANTE: Asegúrese de que el transductor esté alineado adecuadamente con el orificio en la sección de líquido durante el reensamblaje. Una alineación incorrecta puede provocar daños en la junta tórica del transductor.

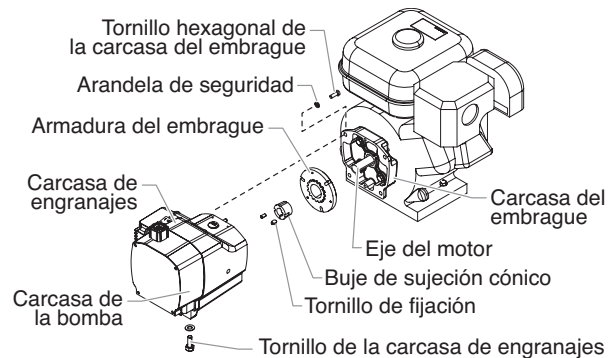


Mantenimiento del conjunto de embrague

NOTA: Cuando reemplace la armadura del embrague, también debe reemplazar el rotor del embrague. Esto permite que las piezas del embrague se desgasten uniformemente y tengan una mayor vida útil.

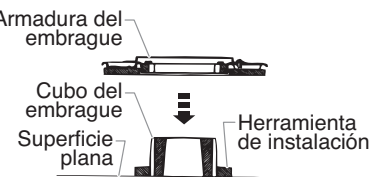
Retiro/reemplazo del conjunto de la armadura del embrague

1. Realice el procedimiento de liberación de presión.
2. Ubique el cable que sale de la parte posterior de la carcasa de control de presión y se conecta con el cableado del motor. Desconéctelo del conector en el cableado del motor.
3. Use una llave de 12 puntos y 5/16" para retirar los cuatro tornillos y las arandelas de seguridad que fijan la carcasa del embrague a la carcasa de engranajes.
4. Use un casquillo de 9/16" para retirar el tornillo que fija la carcasa de engranajes al carro.
5. Deslice las carcasas de engranajes y de la bomba lejos del motor para desengancharlas de la carcasa del embrague.

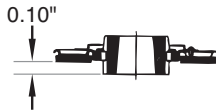


6. Ubique el conjunto de armadura del embrague en el extremo del eje del motor. Observe los dos tornillos de fijación y el orificio enroscado sin usar que esté en el buje de sujeción cónico en el centro del cubo del embrague.
7. Use una llave hexagonal de 1/8" para retirar los dos tornillos de fijación del buje de sujeción cónico.
8. Enrosque uno de los tornillos de fijación en el orificio enroscado sin usar que están en el buje de sujeción cónico. A medida que se aprieta el tornillo, el buje se suelta. Luego de que éste se haya soltado lo suficiente, deslice el conjunto de la armadura del embrague fuera del eje del motor.

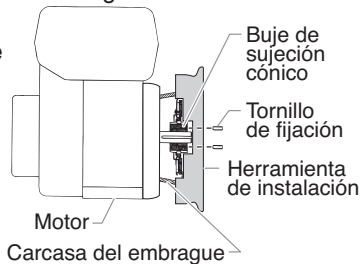
9. Antes de reemplazar el conjunto de la armadura del embrague y el cubo del embrague, se debe crear un "retroceso" adecuado. Use la herramienta de instalación del cubo (Nº/P 0555926) para crear un "retroceso" de 0.10" entre la superficie de fricción de la armadura del embrague y la superficie frontal del cubo del embrague.



NOTA: Un nuevo cubo del embrague y armadura del embrague se pre-ensamblados, per el "retroceso" pueden no se correcta. El "retroceso" debe ser creado utilizando la herramienta de instalación.



- Para reemplazar el conjunto de la armadura del embrague, alinee los tres orificios en el buje de sujeción cónico con los tres orificios en la armadura del embrague e inserte el buje en el centro de la armadura del embrague.
- Alinee la chaveta del buje de sujeción cónico con la llave de paso en el eje del motor y deslice el conjunto sobre el eje con los orificios hacia fuera.
- Aplique Loctite azul en los dos tornillos de fijación e insértelos en el buje de sujeción cónico. Apriete los tornillos de fijación solamente dos giros a la vez.
- Use la herramienta de instalación del embrague (Nº/P 0555926) para colocar la armadura del embrague en el eje del motor. Sostenga la herramienta a lo largo de la superficie de la carcasa del embrague de forma que la parte central ranurada de la herramienta se coloque a ambos lados del conjunto de la armadura del embrague. Tire del conjunto de la armadura del embrague hacia la herramienta hasta que la superficie de éste quede contra la herramienta.
- Mientras sostiene el conjunto de la armadura del embrague una herramienta contra la herramienta, use una llave hexagonal de 1/8" y apriete los tornillos de fijación de forma alternada en el buje de sujeción cónico. Apriete de 65 a 75 pulg./lb.
- Asegúrese de que la superficie de fricción de la armadura del embrague esté limpia y libre de aceite o grasa.

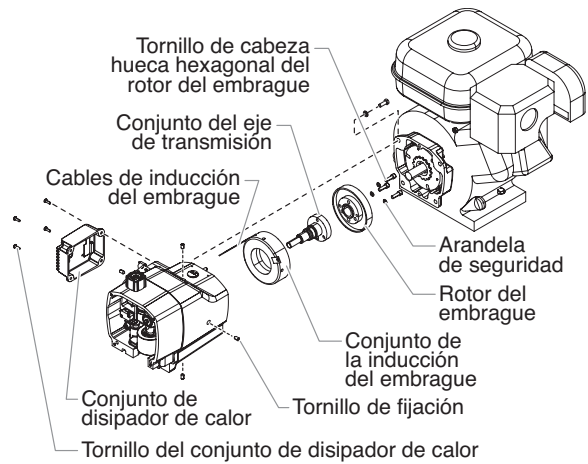


Retiro del rotor del embrague, la inducción del embrague y el conjunto del eje de transmisión

- Siga los pasos 1 a 7 en "Retiro/reemplazo del conjunto de la armadura del embrague".
- Ubique el conjunto del rotor del embrague, el que está dentro de la parte posterior de la carcasa de engranajes. Observe las ubicaciones de los tres tornillos de cabeza hueca hexagonal y los dos orificios enroscados y vacíos del rotor del embrague.
- Use una llave hexagonal de 3/16" para retirar los tres tornillos de cabeza hueca hexagonal las arandelas de seguridad que fijan el rotor del embrague a l conjunto del eje de transmisión.
- Rosque dos de los tornillos de cabeza hueca hexagonal en los orificios vacíos roscados y apriete de manera alternada. Esto empujará el rotor del embrague lejos del conjunto del eje de transmisión y el piñón.
- Use un destornillador Phillips para retirar los cuatro tornillos que fijan el conjunto de disipador de calor a la carcasa. Retire cuidadosamente el conjunto de disipador de calor de la carcasa.
- Ubique los dos cables de inducción que pasan desde la carcasa de engranajes hacia la carcasa de control a través de un orificio en la parte posterior de la carcasa de control. Recuerde los terminales de conexión de cables en el conjunto del relé (etiquételos si es necesario) y desconecte los cables. Mueva cuidadosamente el conjunto del disipador de calor lejos de la carcasa y déjelo en la superficie de trabajo, cerca de la carcasa de control.
- Ubique los cuatro pares de tornillos de fijación que fijan la inducción del embrague a la carcasa de engranajes. Éstos se ubican en la parte exterior de la carcasa de engranajes,

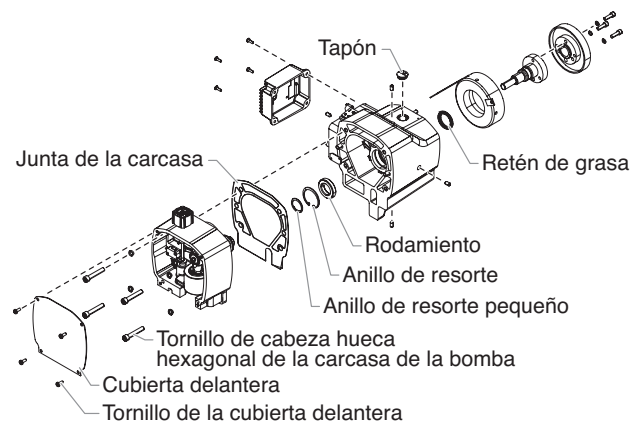
en las posiciones de las 12, 3, 6 y 9 en punto al mirar el extremo de la inducción del embrague de la carcasa de engranajes. Use una llave hexagonal de 1/8" para sacar los tornillos de fijación. Recuerde la ubicación de los dos cables de inducción del embrague con respecto al prensaestopas y la carcasa del control de presión electrónico.

- Deslice cuidadosamente el embrague fuera de la carcasa de engranajes, manteniendo la inducción perpendicular a la carcasa de engranajes, de modo que no se trabé.



NOTA: Para sacar el conjunto del eje de transmisión, primero se debe sacar la carcasa de la bomba desde la carcasa de engranajes.

- Use un destornillador Phillips para retirar los cuatro tornillos de la cubierta delantera. Retire la cubierta delantera.
- Use una llave hexagonal de 1/4" para retirar los cuatro tornillos de cabeza hueca hexagonal que fijan la carcasa de la bomba a la carcasa del engranaje.
- Deslice la carcasa de la bomba lejos de la carcasa de engranajes.
- Retire y limpie la junta de la carcasa. Reemplácela si tiene daños.
- Ubique el piñón del eje de transmisión que sobresale de la parte frontal de la carcasa de engranajes. Retire el anillo de resorte pequeño que se ubica en el cubo del eje de transmisión al frente del rodamiento de bolas que sostiene al eje de transmisión.
- Desde el lado opuesto de la carcasa de engranajes (lado del embrague), deslice el conjunto del eje de transmisión fuera de la carcasa de engranajes.
- Inspeccione el retén de grasa ubicado dentro del perforado de donde se retiró el eje de transmisión. Reemplácelo si está gastado o dañado. Para retirar el retén de grasa, use un destornillador de cabeza plana para levantarlo desde el perforado.
- Limpie el interior de la carcasa de engranajes.



Instalación del conjunto del rotor del embrague y el conjunto de la inducción del embrague y del eje de transmisión

1. Si se retiró el retén de grasa del eje de transmisión, presione uno nuevo en el perforado desde donde se retiró el antiguo.
2. Desde el lado del embrague de la carcasa el engranaje, inserte el conjunto del eje de transmisión en el perforado, a través del retén de grasa y a través del rodamiento de bolas en el lado del engranaje de la carcasa de engranajes.
3. En el lado del engranaje de la carcasa de engranajes, inserte el anillo de resorte en la ranura del cubo del eje de transmisión al frente del rodamiento de bolas.
4. Coloque la junta de la carcasa sobre los pasadores de espiga de la carcasa de engranajes.
5. Coloque cuidadosamente el conjunto de carcasa de la bomba delante del conjunto de carcasa de engranajes, alineando los pasadores de espiga de la carcasa de engranajes con sus orificios correspondientes en la carcasa de la bomba. Deslice la carcasa de la bomba sobre la carcasa de engranajes hasta que no haya espacio entre las carcasas y la junta.

IMPORTANTE: No fuerce la unión de la carcasa de la bomba y la carcasa de engranajes.

6. Ubique los cuatro tornillos de cabeza hueca hexagonal y las arandelas de seguridad que fijan la carcasa de la bomba a la carcasa de engranajes.
7. Use una llave hexagonal de 1/4" para ajustar y apretar los tornillos de cabeza hueca hexagonal de manera cruzada. Apriete de 200 a 230 pulg./lb.
8. Alinee los cuatro orificios alrededor de la parte exterior de la inducción del embrague con los orificios de los cuatro tornillos de fijación en la carcasa de engranajes. Los cables de inducción deben estar aproximadamente en la posición de la 1 ó 2 en punto.
9. Encamine los dos cables de inducción del embrague a través del orificio hacia la carcasa de control.
10. Deslice cuidadosamente la inducción del embrague dentro de su perforado en la carcasa de engranajes hasta que "llegue al fondo" dentro de la carcasa. No apriete los cables de inducción del embrague durante la instalación.
11. Rosque uno de los tornillos de fijación puntiagudos dentro del orificio. Use una llave hexagonal de 1/8" para rotar el tornillo lentamente hasta que haga contacto con la inducción del embrague. No apriete el tornillo de fijación. La punta del tornillo de fijación debe coincidir con el orificio del punto del taladro en la inducción. Revise que la inducción del embrague pueda girar. Si gira dentro de su perforado, el tornillo de fijación no está asentado dentro del punto del taladro.
12. Cuando el tornillo de fijación esté asentado correctamente, instale los otros tres tornillos de fijación puntiagudos. No apriete los tornillos de fijación.
13. Apriete de manera cruzada cada uno de los tornillos de fijación puntiagudos hasta que estén ajustados. Una vez que todos los tornillos de fijación puntiagudos estén fijos, apriete de manera cruzada y aplique torsión a los tornillos de fijación de 70 a 80 pulg./lb.

IMPORTANTE: Es muy importante fijar, apretar y aplicar torsión de manera uniforme a los tornillos de fijación puntiagudos de la inducción del embrague de una manera cruzada. Esto garantiza que la inducción del embrague permanecerá centrada en la carcasa de engranajes.

15. Alinee los tres orificios de tornillo y el orificio del pasador de espiga del rotor del embrague con los orificios de los tornillos y el pasador de espiga en el cubo del conjunto del eje de transmisión. Coloque el rotor del embrague en el cubo.
16. Use una llave hexagonal de 3/16" para roscar los tres tornillos de cabeza hueca hexagonal y las arandelas de seguridad a través del rotor del embrague hasta el cubo

del conjunto del eje de transmisión. Fije, apriete y aplique torsión uniformemente a los tornillos de cabeza hueca hexagonal de 75 a 85 pulg./lb.

17. Asegúrese de que la superficie de fricción del rotor del embrague esté limpia y libre de aceite o grasa.
18. Ubique los dos cables de inducción del embrague en la carcasa de control. Tire suavemente de los cables dentro de la carcasa del control de presión electrónico, de modo que no quede flojedad en la carcasa de engranajes. Conecte los cables con sus terminales correspondientes en el relé (consulte las etiquetas que hizo al principio del procedimiento o el esquema eléctrico en la sección Lista de piezas de este manual).
19. Coloque cuidadosamente el conjunto de disipador de calor sobre la carcasa de control teniendo cuidado de no apretar ningún cable.
20. Instale los cuatro tornillos que fijan el conjunto de disipador de calor a la carcasa de control. Apriete firmemente.

Ajuste de la carcasa de engranajes y la carcasa del embrague

1. Coloque el conjunto de carcasa de engranajes en el carro frente a la carcasa del embrague. Alinee los pasadores de espiga en la carcasa de engranajes con sus orificios correspondientes en la carcasa del embrague. Deslice el conjunto de carcasa de engranajes sobre la carcasa del embrague hasta que no haya espacio entre las carcasas.
2. Rosque los cuatro tornillos hexagonales y las arandelas de seguridad a través de la carcasa del embrague y hacia la carcasa de engranajes.
3. Use una llave de 12 puntos y 5/16" para ajustar y apretar los tornillos hexagonales de manera cruzada. Apriete de 140 a 155 pulg./lb.
4. Use un casquillo de 9/16" para roscar el tornillo hexagonal que fija la carcasa de engranajes al carro a través de la parte inferior del carro y dentro de la carcasa de engranajes. Apriete de 140 a 155 pulg./lb.
5. Conecte el cable de la carcasa del control de presión electrónico con su conector correspondiente en el cableado del motor.

Revisión del espacio del embrague

1. Retire el tapón plástico de la parte superior de la carcasa del embrague. Mire a través del orificio para ubicar la armadura del embrague y el rotor del embrague.
2. Revise el espacio entre la armadura del embrague y el rotor del embrague usando una plantilla de espesor de 0.016" y una plantilla de espesor de 0.035".
 - a. Inserte cada plantilla de espesor a través del orificio y dentro del espacio entre la armadura del embrague y el rotor del embrague. La plantilla de espesor de 0.016" debe ajustarse en el espacio. La plantilla de espesor de 0.035" no debe ajustarse en el espacio.
 - b. Tire del cordón del motor varias veces para girar la armadura del embrague, revisando el espacio con cada plantilla de espesor luego de cada vez que tira.
 - c. Si la plantilla de 0.016" no se ajusta, o la plantilla de 0.035" se ajusta en cualquier punto de control, el espacio se debe reajustar. Esto se hace volviendo a ubicar el conjunto del cubo y la armadura del embrague en el eje del motor. Consulte el procedimiento "Retiro/reemplazo del conjunto de la armadura del embrague".

Servicio a la sección de líquidos

Use los procedimientos siguientes para dar servicio a las válvulas y volver a poner empaquetaduras en la sección de líquidos.

1. Suelte y retire los cuatro tornillos de la cubierta frontal. Desmonte la cubierta delantera.
2. Arranque el motor (consulte los procedimientos de la sección Operación de este manual). Gire la perilla de control de presión en el sentido de las agujas del reloj hasta el ajuste de presión máximo.
3. Active el interruptor ON/OFF del pulverizador entre las posiciones ON y OFF en descargas cortas hasta que el conjunto deslizante y la biela del pistón se detengan en la parte inferior de su recorrido (en su posición más baja).
4. Apague el motor y realice el procedimiento de liberación de presión.



Antes de proceder, siga el Procedimiento de alivio de presión presentado anteriormente en este manual. Además, siga todas las otras advertencias para reducir el riesgo de una lesión por inyección, lesiones por piezas en movimiento o choque eléctrico.

Servicio a las válvulas

El diseño de la sección de líquido de Titan permite el acceso a la válvula de pie y su asiento así como también a la válvula de salida y su asiento sin necesidad de desmontar completamente la sección de líquido. Es posible que las válvulas no se asienten correctamente debido a residuos atrapados en el asiento de la válvula de pie o en la válvula de salida. Use las instrucciones a continuación para limpiar las válvulas e invertir o reemplazar los asientos.

NOTA: Mantenga el pulverizador en posición vertical para este procedimiento.

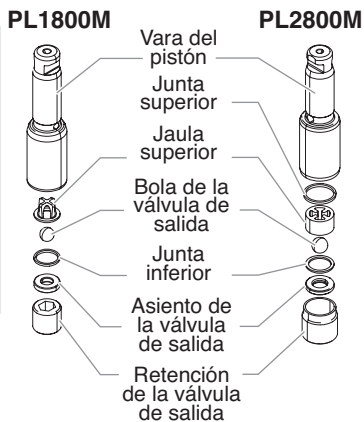
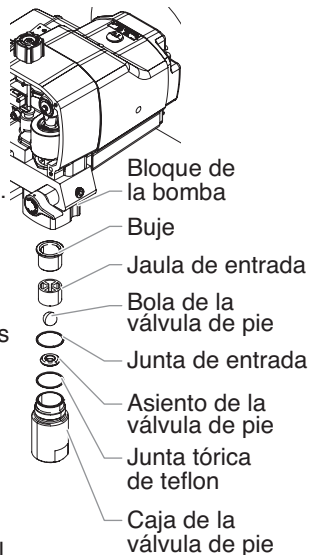
1. Con una llave, suelte y retire la caja de la válvula de pie del bloque de la bomba.
2. Limpie todo residuo de la caja de la válvula de pie y examine la caja y el asiento de la misma. Si el asiento está dañado, inviértalo o reemplácelo.

NOTA: Si el asiento de la válvula de entrada se invirtió o reemplazó, se debe reemplazar la bola de la válvula de entrada.

3. Usando una llave hexagonal de 3/8 de pulgada, suelte y retire la caja de la válvula de salida desde la vara del pistón.

NOTA: Siempre dé servicio a la válvula de salida con la vara del pistón conectada a la bomba. Esto evitará que gire la vara del pistón durante el desmontaje de la válvula de salida.

4. Limpie los residuos y examine la caja de la válvula y el asiento. Si el asiento está dañado, inviértalo o reemplácelo.



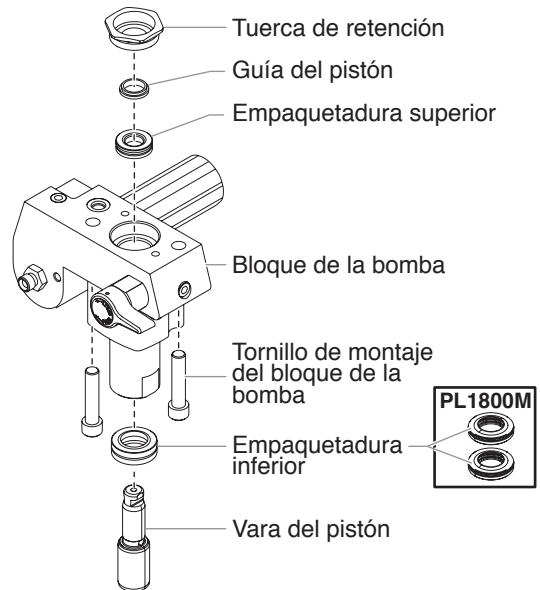
NOTA: Si el asiento de la válvula de salida se invirtió o reemplazó, se debe reemplazar la bola de la válvula de salida.

5. Retire, limpie e inspeccione la jaula de salida y la bola de la válvula de salida. Reemplácelas si están gastadas o dañadas.
6. Vuelva a montar las válvulas invirtiendo los pasos anteriores.

Reemplazo de empaquetaduras de la sección de líquidos

1. Quite el ensamblaje de la válvula de pie usando los pasos del procedimiento "Servicio de las válvulas" anterior

NOTA: La válvula de salida no tiene que ser desmontada del vástago para este procedimiento.



2. Usando una llave hexagonal de 3/8 de pulgada, suelte y retire los dos tornillos de montaje del bloque de la bomba.
3. Baje el bloque de la bomba aproximadamente 1/2 pulgadas de la caja de la bomba.
4. Deslice el bloque de la bomba y la vara del pistón hacia adelante hasta que la vara del pistón quede fuera de la ranura en T de la vara conectora.
5. Deslice la vara del pistón a través de la parte inferior del bloque de la bomba.
6. Suelte y quite la tuerca de retención y la guía del pistón del bloque de la bomba.
7. Retire las empaquetaduras superior e inferior del bloque de la bomba.
8. Limpie el bloque.
9. Ubique las nuevas empaquetaduras superior e inferior, y rellene las áreas entre los bordes de la empaquetadura con grasa. Lubrique con grasa las juntas tóricas en el exterior de las empaquetaduras.
10. Inspeccione la vara del pistón en busca de desgaste y cámbiela si es necesario.
11. Inserte la empaquetadura superior en la parte superior del bloque de la bomba con el labio elevado de la empaquetadura orientado hacia abajo.
12. Inserte la guía del pistón en la tuerca de retención. Rosque la tuerca de retención en el bloque de la bomba con la mano hasta que esté apretada.
13. Forme previamente la empaquetadura inferior usando la herramienta de calibración de la misma (incluida en el juego para volver a colocar la empaquetadura).

- 14a. **PL1800M** - Instale empaquetaduras inferiores parcialmente en la parte inferior del bloque de bomba, con un labio elevado y la junta tórica apuntando hacia arriba.
- 14b. **PL2800M** - Inserte la empaquetadura inferior parcialmente en la parte inferior del bloque de la bomba, de modo que el lado que tiene la junta tórica más cerca a la superficie de la empaquetadura esté orientado hacia arriba.

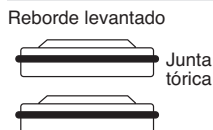
PL1800M/PL2800M

Instale la empaquetadura superior con el reborde levantado puntando hacia abajo.



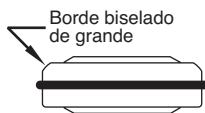
PL1800M

Instale las empaquetaduras inferiores con el reborde levantado y la junta tórica apuntando hacia arriba.



PL2800M

Instale la empaquetadura inferior con borde de grande biselado hacia arriba.



15. Empuje la empaquetadura inferior a la posición usando la herramienta de inserción de la empaquetadura inferior (consulte la lista de piezas de Conjunto de la sección de líquido para conocer el N°/P de la herramienta de inserción de la empaquetadura inferior).
16. Inspeccione la vara del pistón en busca de desgaste y cámbiela si es necesario.

NOTA: Recubra la herramienta guía del pistón y la biela del pistón con grasa antes de insertarlas en el bloque de la bomba.

17. Coloque la herramienta de inserción del pistón (incluida en el juego para volver a colocar la empaquetadura) sobre la parte superior de la biela del pistón.
18. Inserte la biela del pistón en el fondo del bloque de la bomba a través de la empaquetadura inferior, pasando por la empaquetadura superior y finalmente por la tuerca de retención. Use un martillo de goma para golpear suavemente la parte inferior de la biela del pistón hasta que ésta se encuentre en posición en el bloque de la bomba.

NOTA: Cuando vuelva a colocar la empaquetadura de la sección de líquido, asegúrese de que el labio elevado de la parte inferior de la empaquetadura inferior esté completamente fuera de la empaquetadura alrededor de la biela del pistón después de la inserción de la biela del pistón.

19. Retire la herramienta de inserción del pistón de la parte superior de la biela del pistón.
20. Use una llave para apretar la tuerca de retención dentro del bloque de la bomba. Apriete de 300 a 360 pulg./lb.
21. Deslice la parte superior de la biela del pistón en la ranura en T en el conjunto deslizante.
22. Coloque el bloque de la bomba debajo de la carcasa de la caja de engranajes y presione hacia arriba hasta que se apoye contra la carcasa de la caja de herramientas.

IMPORTANTE: Asegúrese de que el transductor esté alineado correctamente con el orificio en el bloque de la bomba durante el reensamblaje. Una alineación incorrecta puede provocar daños en la junta del transductor.

23. Rosque los tornillos de montaje del bloque de la bomba a través de éste y dentro de la carcasa de la caja de engranajes. Apriete de 400 a 440 pulg./lb.
24. Vuelva a ensamblar el conjunto de la válvula de retención en el bloque de la bomba.

NOTA: Durante el reensamblaje, asegúrese de que la junta tórica entre el bloque de la bomba y la carcasa de la válvula de retención esté lubricada con grasa y en la posición correcta.

25. Rosque el tubo de sifón en la carcasa de la válvula de retención y apriete firmemente. Asegúrese de envolver las rosas del tubo de sifón con cinta de teflón antes de ensamblarlas. Vuelva a colocar la manguera de retorno en la abrazadera del tubo de sifón.
26. Rosque la manguera de retorno en el bloque de la bomba y apriete firmemente.
27. Coloque la cubierta delantera en la carcasa de la caja de engranajes y fíjela en la posición correcta usando los cuatro tornillos de la cubierta delantera.
28. Encienda el pulverizador siguiendo el procedimiento indicado en la sección "Operación" de este manual y revise en busca de juegos.

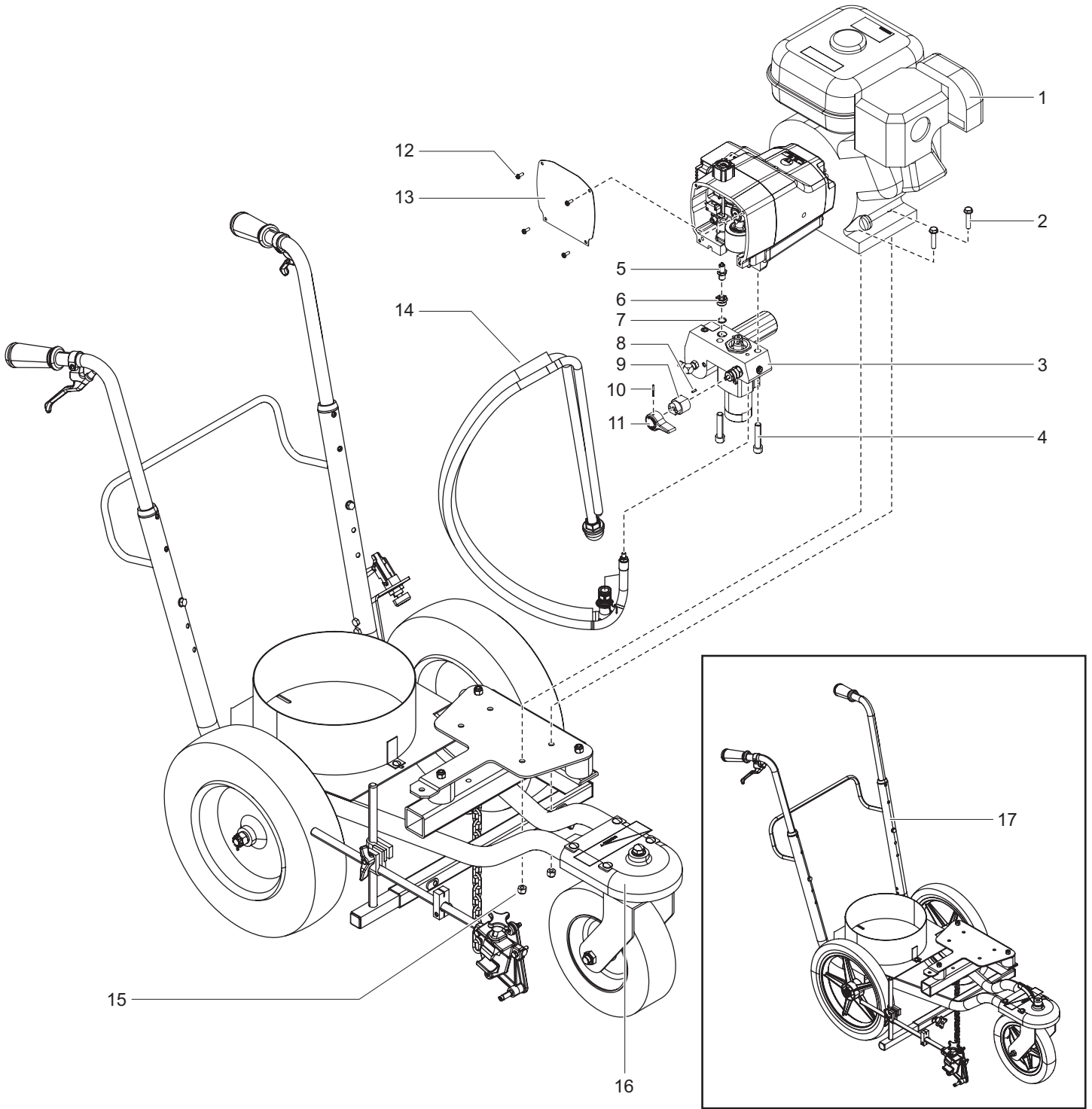
NOTA: El juego para volver a colocar la empaquetadura N°/P 730-401 (PL1800M) o 800-450 (PL2800M) se encuentra disponible. Para obtener mejores resultados, use todas las piezas que se proporcionan en este juego.

Solución de problemas

Problema	Cause	Solution
A. No funciona la unidad.	<ol style="list-style-type: none"> Ajuste de presión demasiado bajo. Conexiones defectuosas o sueltas. El tanque de gasolina está vacío. 	<ol style="list-style-type: none"> Gire la perilla de control de presión en la dirección de las agujas del reloj para suministrar energía a la unidad y aumentar el ajuste de presión. Inspeccione o lleve a un centro de servicio autorizado por Titan. Llene el tanque de gasolina.
B. No se ceba la unidad.	<ol style="list-style-type: none"> La válvula PRIME/SPRAY está en la posición SPRAY. Fuga de aire en el tubo de sifón/juego de succión. El filtro de bomba y/o la malla de entrada está obstruido. El tubo de sifón/juego de succión está obstruido. 	<ol style="list-style-type: none"> Gire la válvula PRIME/SPRAY en la dirección de las agujas del reloj hasta la posición PRIME. Compruebe la conexión del tubo de sifón/juego de succión y apriete o vuelva a asegurar la conexión con cinta Teflón. Quite el elemento del filtro de bomba y límpielo. Quite la malla de entrada y límpiela. Quite el tubo de sifón/juego de succión y límpielo.
C. La unidad no crea presión ni la mantiene.	<ol style="list-style-type: none"> La punta rociadora está desgastada. La punta rociadora es demasiado grande. La perilla de control de presión no está debidamente ajustada. El filtro de bomba, el filtro de la pistola o la malla de entrada están obstruidos. El material fluye desde la manguera de retorno cuando la válvula PRIME/SPRAY está en la posición SPRAY. Fuga de aire en el tubo de sifón/juego de succión. Existe una fuga de fluido externa. Existe una fuga en la sección de líquidos interna (las empaquetaduras están desgastadas o sucias, las bolas de las válvulas están desgastadas). Los asientos de las válvulas están desgastados. 	<ol style="list-style-type: none"> Quite la punta rociadora siguiendo las instrucciones suministradas con la pistola rociadora. Reemplace la punta rociadora por una punta que tenga un orificio más pequeño siguiendo las instrucciones suministradas con la pistola rociadora. Gire la perilla de control de presión en la dirección de las agujas del reloj para incrementar el ajuste de presión. Quite el elemento del filtro de bomba y límpielo. Quite el filtro de la pistola y límpielo. Quite la malla de entrada y límpiela. Limpie o reemplace la válvula PRIME/SPRAY. Compruebe la conexión del tubo de sifón/juego de succión y apriete o vuelva a asegurar la conexión con cinta Teflón. Compruebe todas las conexiones en busca de fugas externas. Apriete las conexiones, si fuese necesario. Limpie las válvulas y de servicio a la sección de líquidos siguiendo el procedimiento de "Servicio a la sección de líquidos" de la sección de Mantenimiento de este manual. Invierta o reemplace los asientos de las válvulas siguiendo el procedimiento de "Servicio a la sección de líquidos" de la sección de Mantenimiento de este manual.
D. Fuga de fluido en el extremo superior de la sección de líquidos.	<ol style="list-style-type: none"> Las empaquetaduras superiores están desgastadas. La vara del pistón está desgastada. 	<ol style="list-style-type: none"> Vuelva a poner las empaquetaduras siguiendo el procedimiento de "Servicio a la sección de líquidos" de la sección de Mantenimiento de este manual. Reemplace el vástago del pistón siguiendo el procedimiento de "Servicio a la sección de líquidos" de la sección de Mantenimiento de este manual.
E. Presión excesiva en la pistola del rociador.	<ol style="list-style-type: none"> El tipo de manguera rociadora sin aire es erróneo. La punta rociadora está desgastada o es demasiado grande. Presión excesiva. 	<ol style="list-style-type: none"> Reemplace la manguera por una manguera rociadora sin aire con trenzado textil conectada a tierra de 1/4" con un largo mínimo de 50 pies (15 metros). Reemplace la punta rociadora siguiendo las instrucciones suministradas con la pistola rociadora. Gire la perilla de control de presión en el sentido contrario a las agujas del reloj para reducir la presión de rociado.
F. Patrón de atomización deficiente.	<ol style="list-style-type: none"> La punta rociadora es demasiado grande para el material que se está utilizando. Ajuste de presión incorrecto. Paso de líquido insuficiente. El material que se está rociando es demasiado viscoso. 	<ol style="list-style-type: none"> Reemplace la punta rociadora con una punta rociadora nueva o más pequeña siguiendo las instrucciones suministradas con la pistola rociadora. Gire la perilla de control de presión para ajustar la presión para obtener un patrón de rociado adecuado. Limpie todas las mallas y filtros. Añada solvente al material de acuerdo con las recomendaciones del fabricante.
G. La unidad no tiene alimentación.	<ol style="list-style-type: none"> El ajuste de la presión es demasiado bajo. 	<ol style="list-style-type: none"> Gire la perilla de control de presión en el sentido de las agujas del reloj para aumentar el ajuste de presión.

Parts List • Liste de pièces • Lista de piezas

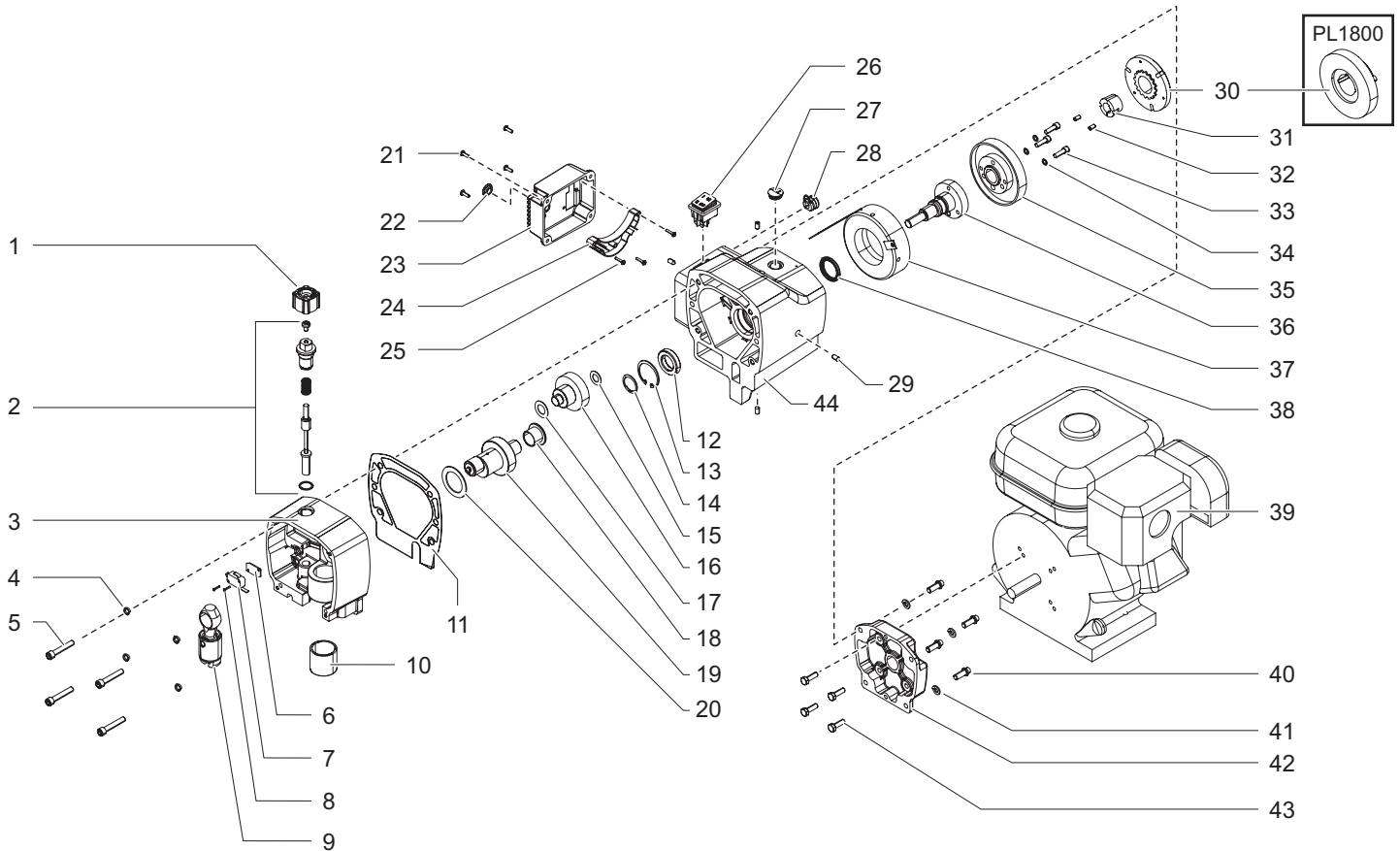
Main Assembly • Assemblage principal • Conjunto principal



Item Article Artículo	Part No. N° de pièce Pieza No.	English Description	Français Description	Español Descripción	Quantity Quantite Cantidad
1	-----	Drive assembly	Assemblage d'entraînement	Conjunto de transmisión	1
2	0509550	Hex screw	Clé hexagonale	Tornillo hexagonal	4
3	759-521	Fluid section assembly (PL1800M)	Assemblage du tronçon d'acheminement (PL1800M)	Conjunto de la sección de líquido (PL1800M)	1
	759-530	Fluid section assembly (PL2800M)	Assemblage du tronçon d'acheminement (PL2800M)	Conjunto de la sección de líquido (PL2800M)	1
4	704-117	Fluid section bolt	Boulon du tronçon d'acheminement	Perno de la sección de líquido	2
5	0551112	Transducer assembly	Assemblage du transducteur	Junta del transductor	1
6	0555256	Transducer adapter (PL2800M only)	Adaptateur du transducteur (PL2800M seulement)	Adaptador del transductor (PL2800M solamente)	1
7	0509585	Transducer gasket	Joint statique du transducteur	Junta del transductor	1
8	700-823	Dowel pin	Goupille de positionnement	Pasador de espiga	1
9	700-251	Cam base	Came	Base de la leva	1
10	700-759	Groove pin	Goupille rigide cannelée	Pasador de ranura	1
11	700-697	PRIME/SPRAY knob	Bouton PRIME/SPRAY	Perilla PRIME/SPRAY	1
12	770-685	Front cover screws	Vis du couvercle avant	Tornillos de la cubierta delantera	4
13	0555926	Front cover	Couvercle avant	Cubierta delantera	1
14	704-079	Siphon assembly	Ensemble de siphon	Ensamblaje de sifón	1
15	763-549	Nut	Écrou	Tuerca	4
16	759-520	Cart assembly (PL2800M)	Chariot (PL2800M)	Conjunto del carro (PL2800M)	1
17	759-485	Cart assembly (PL1800M)	Chariot (PL1800M)	Conjunto del carro (PL1800M)	1

Drive Assembly • Assemblage d'entraînement • Conjunto de transmisión

PowrLiner 1800M / PowrLiner 2800M



NOTE: All electrical work should be performed by a Titan authorized service center.

NOTA : Tous les travaux électriques doivent être effectués par un centre de service autorisé de Titan.

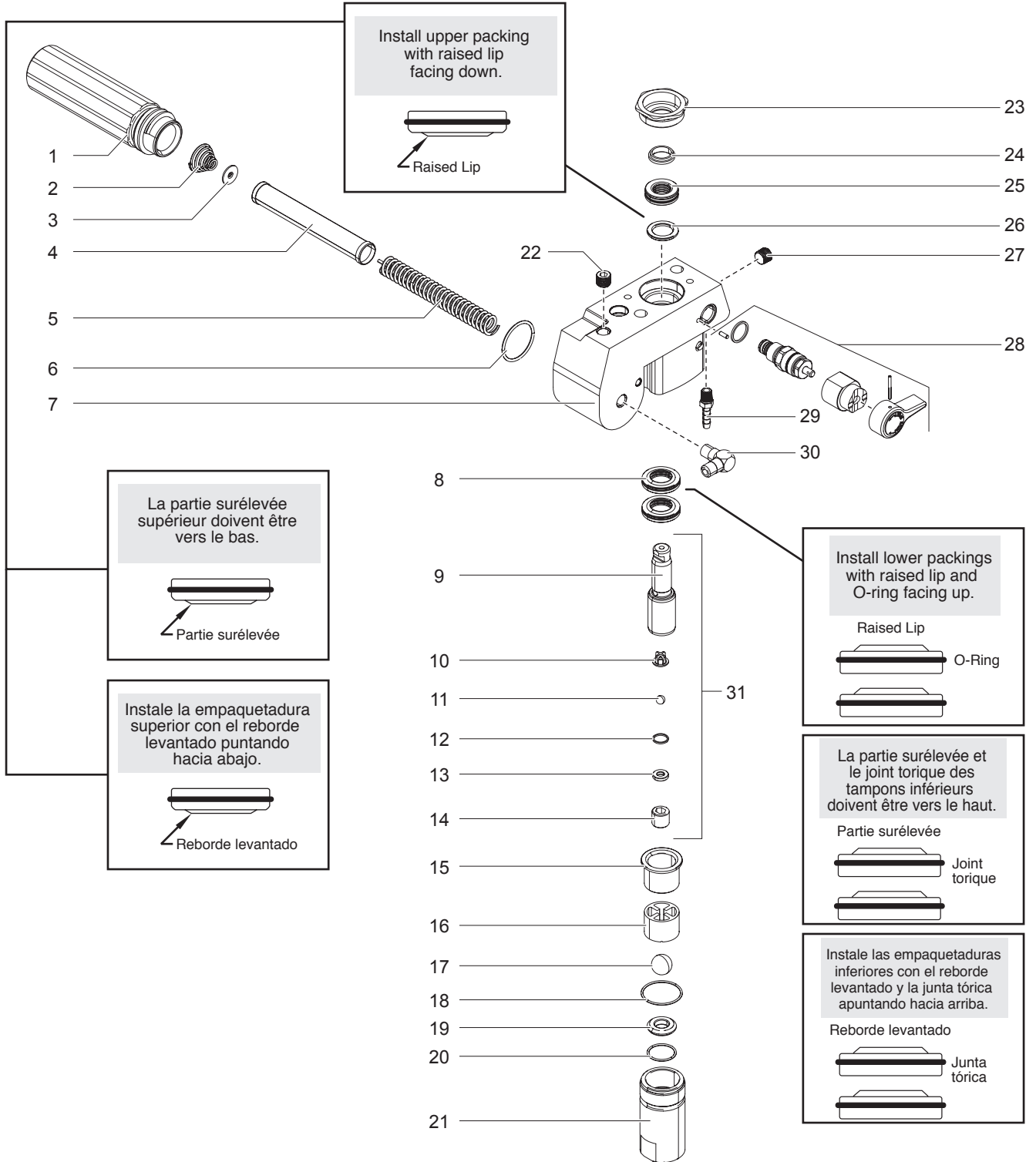
NOTA: Un centro de servicio técnico autorizado de Titan debe realizar todos los trabajos eléctricos.

Item Article Artículo	Part No. N° de pièce Pieza No.	English Description	Français Description	Español Descripción	Quantity Quantite Cantidad
1	700-771	Pressure control knob	Bouton de régulation de la pression	Perilla de control de presión	1
2	0555928	Pressure control assembly	Commande de la pression	Conjunto de control de presión	1
3	0555929	Pump housing assembly (includes item 11)	Corps de la pompe (inclut l'article 11)	Conjunto de la carcasa de la bomba (incluye el elemento 11)	1
4	0509541	Lock washer	Rondelle de blocage	Arandela de seguridad	4
5	0555264	Pump housing screw	Vis du corps de la pompe	Tornillo de la carcasa de la bomba	4
6	03662	Microswitch insulator	Isolateur de microcommutateur	Aislante del microinterruptor	1
7	0295490	Microswitch	Microcommutateur	Microinterruptor	2
8	9800604	Microswitch screw	Vis du microcommutateur	Tornillo del microinterruptor	2
9	700-2060	Slider assembly (PL1800M)	Coulisseau (PL1800M)	Conjunto deslizante (PL1800M)	1
	704-301	Slider assembly (PL2800M)	Coulisseau (PL2800M)	Conjunto deslizante (PL2800M)	1
10	700-689	Bushing	Manchon	Buje	1
11	0555294	Gear housing gasket	Joint statique du carter d'engrenage	Junta de la carcasa de engranajes	1

Item Article Artículo	Part No. N° de pièce Pieza No.	English Description	Français Description	Español Descripción	Quantity Quantite Cantidad
12	750-015	Bearing	Palier	Rodamiento	1
13	750-016	Snap ring	Circlip	Anillo de resorte	1
14	730-144	Small snap ring	Petit circlip	Anillo de resorte pequeño	1
15	700-688	Thrust washer	Rondelle de butée	Arandela de empuje	1
16	730-167	Output gear assembly	Engrenage de sortie	Conjunto de engranajes de salida	1
17	700-514	Thrust washer	Rondelle de butée	Arandela de empuje	1
18	730-088	Cylindrical thrust washer	Rondelle de butée cylindrique	Arandela de empuje cilíndrica	1
19	730-360	Crankshaft assembly (PL1800M)	Vilebrequin (PL1800M)	Conjunto de cigüeñal (PL1800M)	1
	0555931	Crankshaft assembly (PL2800M)	Vilebrequin (PL2800M)	Conjunto de cigüeñal (PL2800M)	1
20	700-680	Thrust washer	Rondelle de butée	Arandela de empuje	1
21	700-139	Heat sink cover screw	Vis du couvercle du dissipateur de chaleur	Tornillo de la cubierta de disipador de calor	4
22	704-281	Plug	Bouchon	Tapón	1
23	0551523	Heat sink cover plate (includes items 21 and 22)	Couvercle dissipateur de chaleur (inclut l'articles 21-22)	Placa de la cubierta de disipador de calor (incluye el elemento 21-22)	1
24	0295451	Relay	Relais	Relé	1
25	0551495	Relay screw	Vis du relais	Tornillo del relé	3
26	9850936	ON/OFF switch	Interrupteur MARCHÉ/ARRÊT	Interruptor ON/OFF	1
27	764-018	Plug	Bouchon	Tapón	1
28	0555603	Grommet	Passe-câble	Prensaestopas	1
29	763-525	Set screw	Vis pression	Tornillo de fijación	4
30	755-209	Clutch armature assembly (PL1800M)	Armature de l'embrayage (PL1800M)	Conjunto de la armadura del embrague (PL1800M)	1
	0555017	Clutch armature assembly (PL2800M)	Armature de l'embrayage (PL2800M)	Conjunto de la armadura del embrague (PL2800M)	1
31	763-550	Taper lock bushing (includes item 32)	Manchon conique fendu (inclut l'article 32)	Buje de sujeción cónico (incluye el elemento 32)	1
32	763-566	Taper lock bushing screw	Vis du manchon conique fendu	Tornillo del buje de sujeción cónico	2
33	755-218	Clutch rotor socket screw	Vis à tête creuse du rotor de l'embrayage	Tornillo de cabeza hueca hexagonal del rotor del embrague	3
34	755-215	Lock washer	Rondelle de blocage	Arandela de seguridad	3
35	755-203	Clutch rotor assembly (PL1800M)	Rotor de l'embrayage (PL1800M)	Conjunto del rotor del embrague (PL1800M)	1
	0555007	Clutch rotor assembly (PL2800M)	Rotor de l'embrayage (PL2800M)	Conjunto del rotor del embrague (PL2800M)	1
36	755-201	Adapter sub assembly	Adaptateur du rotor d'embrayage	Subconjunto del adaptador	1
37	755-216	Clutch field assembly	Champ de l'embrayage	Conjunto de la inducción del embrague	1
38	730-172	Seal	Joint d'étanchéité	Sello	1
39	0555613	Engine	Moteur	Motor	1
40	0555186	12 point screw	Vis à 12 points	Tornillo de 12 puntos	4
41	860-002	Lock washer	Rondelle de blocage	Arandela de seguridad	4
42	0555288	Clutch housing	Carter d'embrayage	Carcasa del embrague	1
43	0509538	Screw	Vis	Tornillo	4
44	0555934	Gear housing assembly (includes items 12, 13 and 38)	Carter d'engrenage (inclut les articles 12, 13 et 38)	Conjunto de la carcasa de engranajes (incluye los elementos 12, 13 y 38)	

Fluid Section Assembly • Tronçon d'acheminement • Conjunto de la sección de líquido

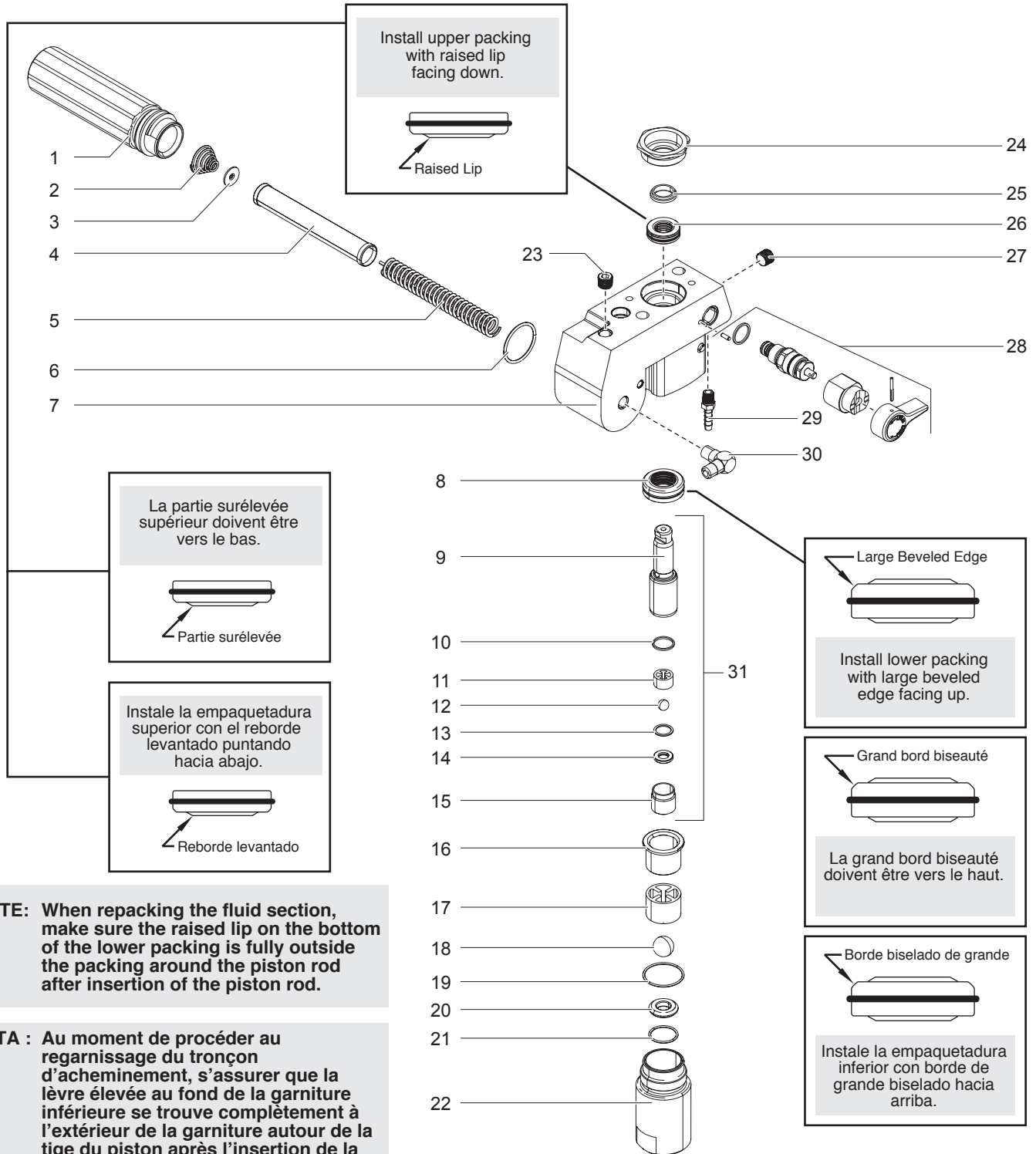
PowrLiner 1800M



Item Article Artículo	Part No. N° de pièce Pieza No.	English Description	Français Description	Español Descripción	Quantity Quantite Cantidad
1	0508601	Filter housing	Boîtier du filtre	Carcasa del filtro	1
2	0508602	Filter spring	Ressort du filtre	Resorte del filtro	1
3	0508603	Adapter	Adaptateur	Adaptador	1
4	730-067	Filter	Filtre	Filtro	1
5	757-105	Spring	Ressort	Resorte	1
6	704-297	Seal	Joint d'étanchéité	Sello	1
7	0551681	Fluid section housing	Logement du tronçon d'acheminement	Carcasa de la sección de líquido	1
8	0507272	Lower packing	Garniture d'étanchéité inférieure	Empaquetadura inferior	2
9	704-551	Piston rod	Tige de piston	Biela del pistón	1
10	704-610	Outlet cage	Cage de refoulement	Jaula de salida	1
11	50164	Outlet ball	Bille de la soupape de refoulement	Bola de salida	1
12	704-612	Washer	Rondelle	Arandela	1
13	704-558	Outlet valve seat	Siege de la soupape de refoulement	Asiento de la válvula de salida	1
14	13481	Outlet valve retainer	Organe de retenu de la soupape de refoulement	Retén de la válvula de salida	1
15	704-289	Bushing	Manchon	Buje	1
16	704-703	Inlet cage	Cage d'admission	Jaula de entrada	1
17	762-145	Inlet cage ball	Bille de la cage d'admission	Bola de la jaula de entrada	1
18	700-821	Teflon O-ring	Joints toriques de Teflon	Junta tórica de teflón	1
19	762-137	Seat	Siège	Asiento	1
20	762-058	Teflon O-ring	Joints toriques de Teflon	Junta tórica de teflón	1
21	704-054	Foot valve housing	Logement du clapet de pied	Carcasa de la válvula de retención	1
22	227-028	Plug	Bouchon	Tapón	1
23	730-508	Retaining nut	Écrou de retenue	Tuerca de retención	1
24	700-587	Upper piston guide	Guidage du piston supérieur	Guía del pistón superior	1
25	0507898	Upper packing	Garniture d'étanchéité supérieure	Empaquetadura superior	1
26	806-091	Washer	Rondelle	Arandela	
27	227-028	Plug	Bouchon	Tapón	1
28	800-915	PRIME/SPRAY valve assembly	Soupape PRIME/SPRAY	Conjunto de la válvula PRIME/SPRAY	1
29	193-200	Return tube fitting	Raccord du tube de retour	Conexión del tubo de retorno	1
30	12440	Outlet fitting	Raccord de sortie	Conexión de salida	1
31	704-552	Piston assembly (includes items 9-15)	Piston (inclut les articles 9 à 15)	Conjunto del pistón (incluye los elementos 9 a 15)	1
	0551511	Lower packing insertion tool (not shown)	Outil d'insertion de garniture d'étanchéité inférieure (non affiché)	Herramienta de inserción de la empaquetadura inferior (no se muestra)	1
	730-401	Repacking kit (includes items 8, 12, 15, 17-18, 20, 24 and 25)	Trousse de garnitures (inclut les articles 8, 12, 15, 17-18, 20, 24 et 25)	Juego de empaquetaduras (incluye el elementos 8, 12, 15, 17-18, 20, 24 y 25)	

Fluid Section Assembly • Tronçon d'acheminement • Conjunto de la sección de líquido

PowrLiner 2800M



NOTE: When repacking the fluid section, make sure the raised lip on the bottom of the lower packing is fully outside the packing around the piston rod after insertion of the piston rod.

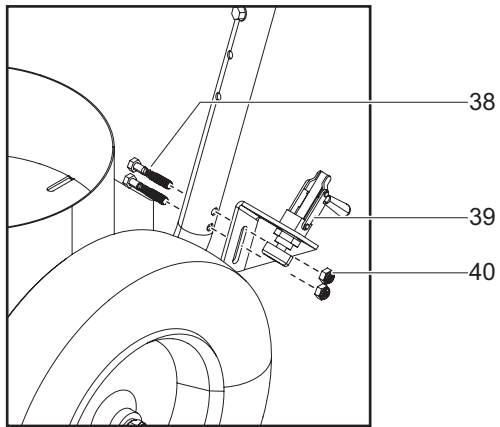
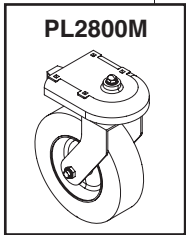
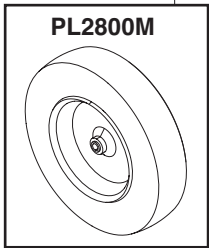
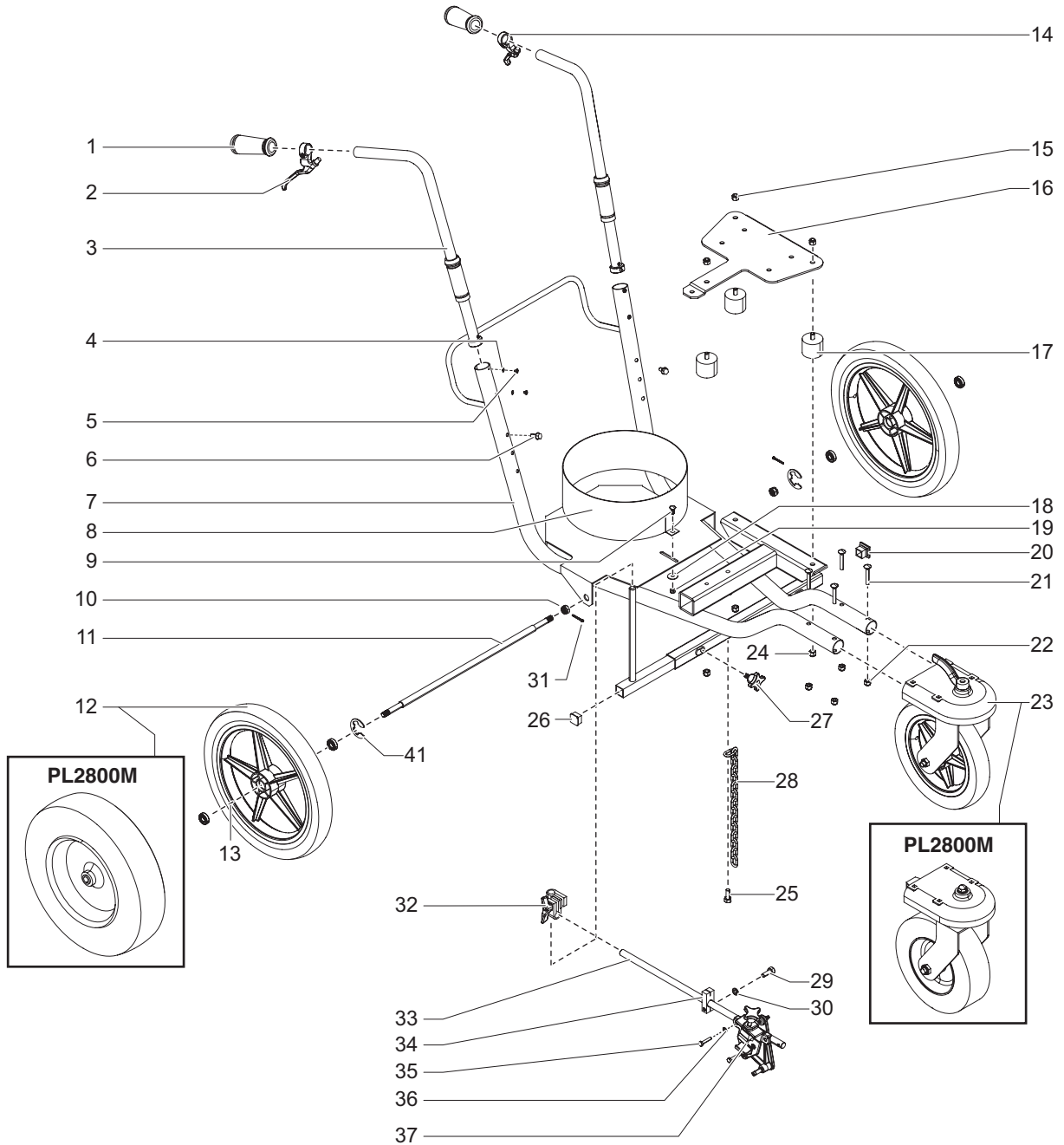
NOTA : Au moment de procéder au regarnissage du tronçon d'acheminement, s'assurer que la lèvre élevée au fond de la garniture inférieure se trouve complètement à l'extérieur de la garniture autour de la tige du piston après l'insertion de la tige du piston.

NOTA: Cuando vuelva a colocar la empaquetadura de la sección de líquido, asegúrese de que el labio elevado de la parte inferior de la empaquetadura inferior esté completamente fuera de la empaquetadura alrededor de la biela del pistón después de la inserción de la biela del pistón.

Item Article Artículo	Part No. N° de pièce Pieza No.	English Description	Français Description	Español Descripción	Quantity Quantite Cantidad
1	0508601	Filter housing	Boîtier du filtre	Carcasa del filtro	1
2	0508602	Filter spring	Ressort du filtre	Resorte del filtro	1
3	0508603	Adapter	Adaptateur	Adaptador	1
4	730-067	Filter	Filtre	Filtro	1
5	757-105	Spring	Ressort	Resorte	1
6	704-297	Seal	Joint d'étanchéité	Sello	1
7	0551681	Fluid section housing	Logement du tronçon d'acheminement	Carcasa de la sección de líquido	1
8	0507274	Lower packing	Garniture d'étanchéité inférieure	Empaquetadura inferior	1
9	800-452	Piston rod	Tige de piston	Biela del pistón	1
10	800-348	Outlet valve seal	Joint d'étanchéité de la soupape de refoulement	Sello de la válvula de salida	1
11	800-441	Outlet cage	Cage de refoulement	Jaula de salida	1
12	9841502	Outlet ball	Bille de la soupape de refoulement	Bola de salida	1
13	0507454	Nylon washer	Rondelle de nylon	Arandela de nylon	1
14	0294516	Outlet valve seat	Siege de la soupape de refoulement	Asiento de la válvula de salida	1
15	800-336	Outlet valve retainer	Organe de retenu de la soupape de refoulement	Retén de la válvula de salida	1
16	0555002	Bushing	Manchon	Buje	1
17	800-442	Inlet cage	Cage d'admission	Jaula de entrada	1
18	51519	Inlet cage ball	Bille de la cage d'admission	Bola de la jaula de entrada	1
19	762-103	Teflon O-ring	Joints toriques de Teflon	Junta tórica de teflón	1
20	00310	Seat	Siège	Asiento	1
21	762-058	Teflon O-ring	Joints toriques de Teflon	Junta tórica de teflón	1
22	0555003	Foot valve housing	Logement du clapet de pied	Carcasa de la válvula de retención	1
23	227-028	Plug	Bouchon	Tapón	1
24	705-104	Retaining nut	Écrou de retenue	Tuerca de retención	1
25	705-105	Upper piston guide	Guidage du piston supérieur	Guía del pistón superior	1
26	0507273	Upper packing	Garniture d'étanchéité supérieure	Empaquetadura superior	1
27	227-028	Plug	Bouchon	Tapón	1
28	700-258	PRIME/SPRAY valve assembly	Soupape PRIME/SPRAY	Conjunto de la válvula PRIME/SPRAY	1
29	193-200	Return tube fitting	Raccord du tube de retour	Conexión del tubo de retorno	1
30	12440	Outlet fitting	Raccord de sortie	Conexión de salida	1
31	705-120	Piston assembly (includes items 9-15)	Piston (inclut les articles 9 à 15)	Conjunto del pistón (incluye los elementos 9 a 15)	1
	0551511	Lower packing insertion tool (not shown)	Outil d'insertion de garniture d'étanchéité inférieure (non affiché)	Herramienta de inserción de la empaquetadura inferior (no se muestra)	1
	800-450	Repacking kit (includes items 8, 10, 12, 13, 16, 18-19, 21, 25 and 26)	Trousse de garnitures (inclut les articles 8, 10, 12, 13, 16, 18-19, 21, 25 et 26)	Juego de empaquetaduras (incluye el elementos 8, 10, 12, 13, 16, 18-19, 21, 25 y 26)	

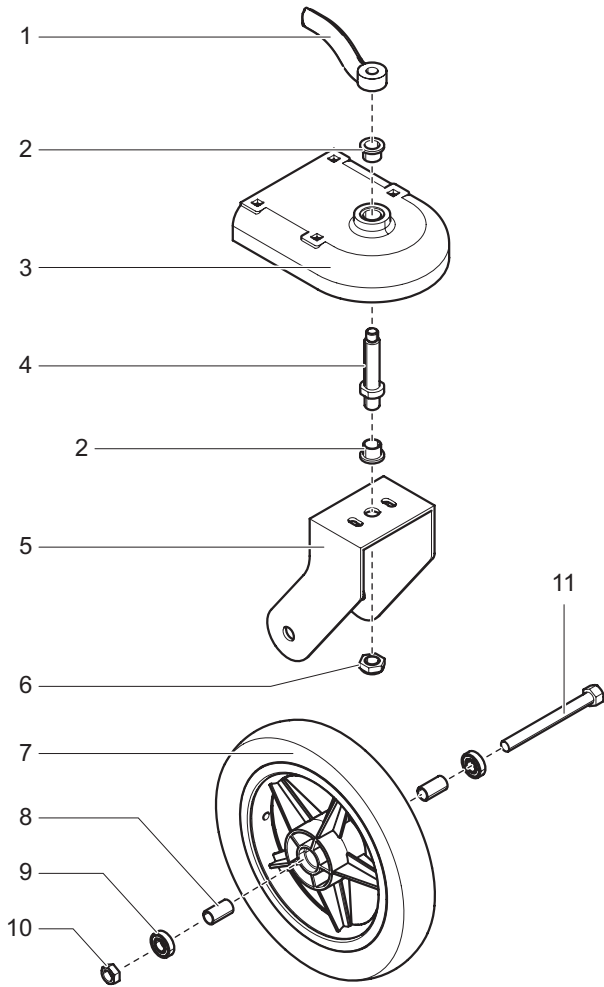
Cart Assembly • Ensemble de chariot • Conjunto de carro

PowrLiner 1800M / PowrLiner 2800M

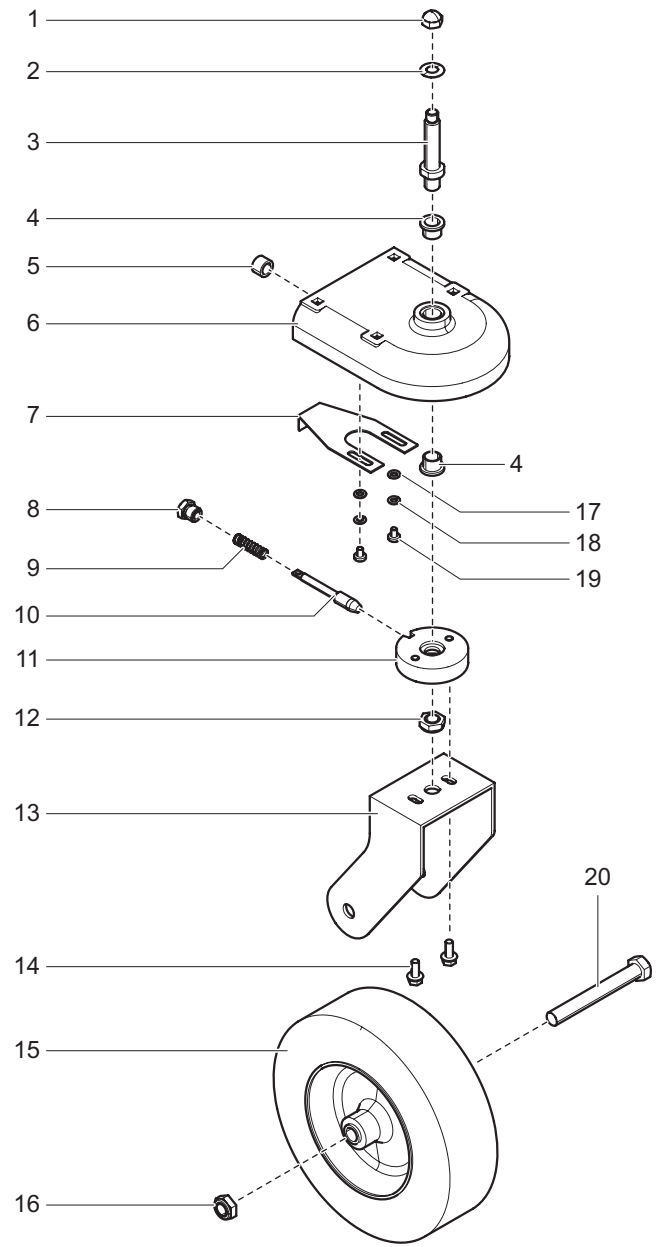


Item Article Artículo	Part No. N° de pièce Pieza No.	English Description	Français Description	Español Descripción	Quantity Quantite Cantidad
1	424-245	Handle grip	Poignée-pistolet	Empuñadura de la manilla	2
2	759-215	Lever assembly (PL1800M)	Levier (PL1800M)	Conjunto de palanca (PL1800M)	1
3	759-482	Handle assembly	Poignée	Conjunto de manilla	2
4	856-002	Lock washer	Rondelle de blocage	Arandela de seguridad	4
5	856-921	Screw	Vis	Tornillo	4
6	756-091	Hex screw	Vis hexagonale	Tornillo hexagonal	2
7	759-474	Cart assembly	Chariot	Conjunto de carro	1
8	759-487	Bucket holder	Support à sceau	Soporte del balde	1
9	770-712	Carriage screw	Vis du chariot	Tornillo del carro	2
10	759-067	Castle nut (PL1800M)	Écrou à créneaux (PL1800M)	Tuerca almenada (PL1800M)	2
	756-078	Castle nut (PL2800M)	Écrou à créneaux (PL2800M)	Tuerca almenada (PL2800M)	2
11	759-483	Axle (PL1800M)	Essieu (PL1800M)	Eje (PL1800M)	1
	759-504	Axle (PL2800M)	Essieu (PL2800M)	Eje (PL2800M)	1
12	759-293	Rear wheel (PL1800M)	Roue arrière (PL1800M)	Rueda trasera (PL1800M)	2
	759-516	Rear wheel (PL2800M)	Roue arrière (PL2800M)	Rueda trasera (PL2800M)	2
13	759-292	Bearing (PL1800M only)	Palier (PL1800M seulement)	Cojinete (sólo PL1800M)	4
14	759-215	Brake lever (PL2800M only)	Levier de frein (PL2800M seulement)	Palanca de freno (sólo PL2800M)	1
15	862-410	Lock nut	Écrou de blocage	Contratuerca	3
16	759-517	Mounting plate	Plaque d'assemblage	Placa de montaje	1
17	757-042	Vibration mount	Montage antivibratile	Almohadilla aislante	3
18	770-223	Washer	Rondelle	Arandela	1
19	770-144	Lock nut	Écrou de blocage	Contratuerca	2
20	757-055	End cap	Obturateur d'extrémité	Capacete	1
21	759-463	Carriage screw	Vis du chariot	Tornillo del carro	4
22	763-549	Lock nut	Écrou de blocage	Contratuerca	4
23	759-519	Front wheel assembly (PL1800M)	Ensemble de la roue avant (PL1800M)	Conjunto de rueda delantera (PL1800M)	1
	759-508	Front wheel assembly (PL2800M)	Ensemble de la roue avant (PL2800M)	Conjunto de rueda delantera (PL2800M)	1
24	862-410	Lock nut	Écrou de blocage	Contratuerca	3
25	862-436	Hex head screw	Vis à tête hexagonale	Tornillo de cabeza hexagonal	1
26	756-056	Plug	Bouchon	Tapón	1
27	759-306	Knob assembly	Ensemble de la poignée	Conjunto de la perilla	1
28	424-283	Grounding chain	Chaînette de mise à la terre	Cadena de conexión a tierra	1
29	862-436	Hex head screw	Vis à tête hexagonale	Tornillo de cabeza hexagonal	1
30	0509292	Lock washer	Rondelle de blocage	Arandela de seguridad	1
31	756-079	Cotter pin	Goupille fendue	Pasador de clavija	2
32	759-329	Clamp assembly	Ensemble de serrage	Conjunto de abrazadera	1
33	759-415	Arm support	Support de bras	Apoyo del brazo	1
34	759-414	Cable mounting clamp	Pince de fixation de câble	Abrazadera de montaje del cable	1
35	858-644	Hex head screw	Vis à tête hexagonale	Tornillo de cabeza hexagonal	2
36	858-002	Lock washer	Rondelle de blocage	Arandela de seguridad	2
37	0509171	Gun mount	Support à pistolet	Soporte de la pistola	1
38	761-149	Bolt (PL2800M only)	Boulon (PL2800M seulement)	Perno (sólo PL2800M)	2
39	759-550	Brake assembly (PL2800M only)	Frein (PL2800M seulement)	Conjunto de freno (sólo PL2800M)	1
40	860-502	Stop nut (PL2800M only)	Écrou de blocage (PL2800M seulement)	Tuerca de tope (sólo PL2800M)	2
41	704-663	Retaining ring (PL1800 only)	Bague de retenue (PL1800 seulement)	Aro de retención (sólo PL1800M)	
	759-499	Gun cable (not shown)	Câble de pistolet (non illustré)	Cable de la pistola (no se muestra)	1
	779-298	Caster cable (PL2800M only, not shown)	Câble de roue pivotante (PL2800M seulement, non illustré)	Cable de la roldana (sólo PL2800M, no se muestra)	1

Front wheel assembly (PL1800M) • Ensemble de roue avant (PL1800M) • Conjunto de rueda delantera (PL1800M)



Front wheel assembly (PL2800M) • Ensemble de roue avant (PL2800M) • Conjunto de rueda delantera (PL2800M)



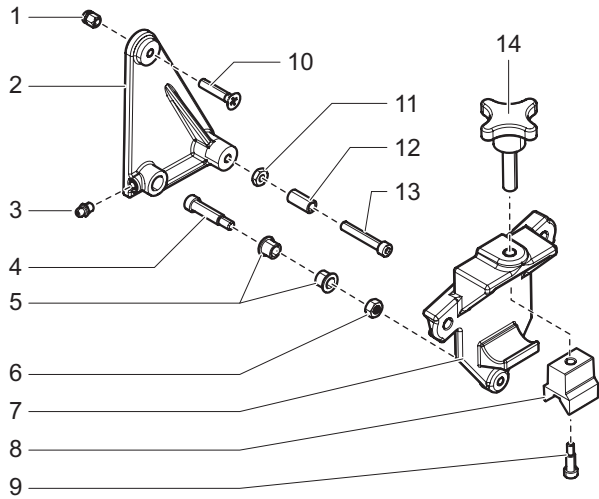
Front wheel assembly (PL1800M) • Ensemble de roue avant (PL1800M) • Conjunto de rueda delantera (PL1800M)

Item Article Articulo	Part No. N° de pièce Pieza No.	English Description	Français Description	Español Descripción	Quantity Quantite Cantidad
1	759-476	Handle lever	Levier de poignée	Palanca de la manilla	1
2	759-430	Bearing, flanged	Palier à collerette	Cojinete embridado	2
3	759-543	Wheel housing (includes item 2)	Logement de roue (inclut l'article 2)	Carcasa de la rueda (incluye el artículo 2)	1
4	759-428	Stem	Tige	Vástago	1
5	759-552	Fork leg	Jambe de fourche	Pata de la horquilla	1
6	759-512	Lock nut	Écrou de blocage	Contratuerca	1
7	759-298	Wheel assembly (includes item 9)	Ensemble de roue (inclut l'article 9)	Conjunto de rueda (incluye el artículo 9)	1
8	759-062	Spacer	Entretoise	Separador	2
9	759-292	Bearing	Palier	Cojinete	2
10	759-063	Nut	Écrou	Tuerca	1
11	759-064	Bolt	Boulon	Perno	2

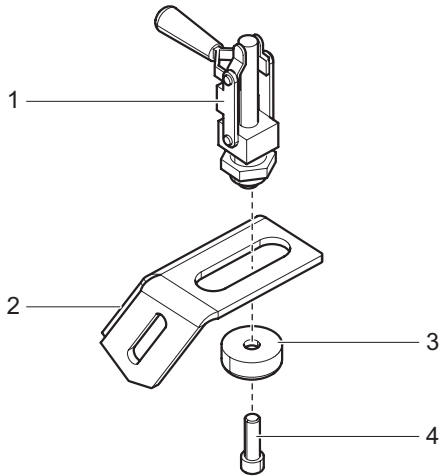
Front wheel assembly (PL2800M) • Ensemble de roue avant (PL2800M) • Conjunto de rueda delantera (PL2800M)

Item Article Articulo	Part No. N° de pièce Pieza No.	English Description	Français Description	Español Descripción	Quantity Quantite Cantidad
1	759-515	Acorn nut	Écrou borgne	Tuerca ciega	1
2	759-514	Spring washer	Rondelle à ressort	Arandela de resorte	1
3	759-428	Stem	Tige	Vástago	1
4	759-430	Bearing, flanged	Palier à collerette	Cojinete embridado	2
5	779-299	Bearing	Palier	Cojinete	1
6	759-477	Wheel housing (includes items 4-5)	Logement de roue (inclut les articles 4 et 5)	Carcasa de la rueda (incluye el artículo 4-5)	1
7	759-506	Cable connector bracket	Ferrure du connecteur de câble	Soporte conector del cable	1
8	779-296	Spring retainer	Rondelle de retenue de ressort	Retén de resorte	1
9	756-087	Spring	Ressort	Resorte	1
10	779-294	Locking pin	Tige de blocage	Pasador de seguridad	1
11	759-511	Fork disk	Disque de fourche	Disco de la horquilla	1
12	759-512	Lock nut	Écrou de blocage	Contratuerca	1
13	759-552	Fork leg	Jambe de fourche	Pata de la horquilla	1
14	756-091	Hex screw	Vis hexagonale	Tornillo hexagonal	2
15	759-513	Wheel	Roue	Rueda	1
16	759-512	Lock nut	Écrou de blocage	Contratuerca	1
17	858-003	Flat washer	Rondelle plate	Arandela plana	2
18	858-002	Lock washer	Rondelle de blocage	Arandela de seguridad	2
19	0509219	Screw	Vis	Tornillo	2
20	759-459	Bolt	Boulon	Perno	1

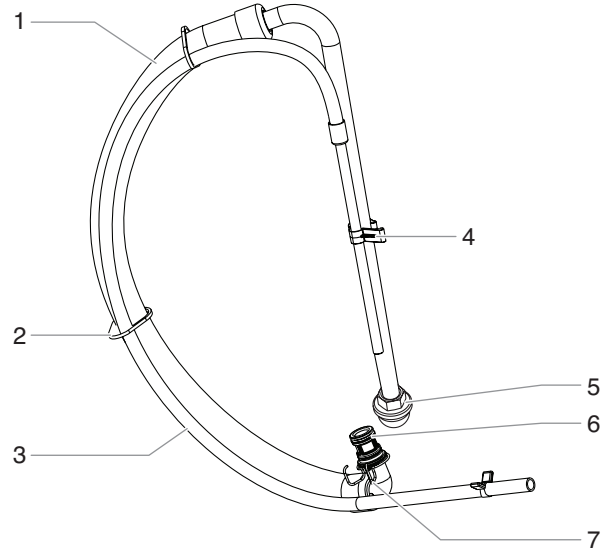
Gun holder assembly • Ensemble de support à pistolet • Conjunto del soporte de la pistola



Brake assembly (PL2800M) • Frein (PL2800M) • Conjunto de freno (PL2800M)



Siphon assembly • Ensemble de siphon • Ensamblaje de sifón



Gun holder assembly • Ensemble de support à pistolet • Conjunto del soporte de la pistola

Item Article Artículo	Part No. N° de pièce Pieza No.	English Description	Français Description	Español Descripción	Quantity Quantite Cantidad
1	759-056	Spring holder (short)	Support de ressort (court)	Portaresorte (corto)	1
2	424-202	Lever	Levier	Palanca	1
3	762-052	Grease fitting	Embout de graissage	Conexión para grasa	1
4	860-936	Shoulder screw	Vis à épaulement	Tornillo de hombro	1
5	424-248	Flange bearing	Palier à bride	Cojinete de brida	2
6	858-601	Hex nut	Écrou hexagonal	Tuerca hexagonal	1
7	424-201	Gun holder	Support à pistolet	Soporte de la pistola	1
8	759-316	Clamp block	Bloc de serrage	Bloque de la abrazadera	1
9	756-037	Shoulder screw	Vis à épaulement	Tornillo de hombro	1
10	703-079	Screw	Vis	Tornillo	1
11	858-603	Hex nut	Écrou hexagonal	Tuerca hexagonal	1
12	424-249	Bearing sleeve	Manchon à coussinet	Manguito del cojinete	1
13	858-653	Socket screw	Vis à tête creuse	Tornillo de cabeza hueca hexagonal	1
14	756-034	Clamping knob	Bouton de serrage	Perilla de sujeción	1

Brake assembly • Frein • Conjunto de freno

Item Article Artículo	Part No. N° de pièce Pieza No.	English Description	Français Description	Español Descripción	Quantity Quantite Cantidad
1	759-549	Brake clamp	Bride de frein	Abrazadera del freno	1
2	759-547	Brake bracket	Ferrure de frein	Soporte del freno	1
3	759-548	Brake disk	Disque de frein	Disco de freno	1
4	730-148	Screw	Vis	Tornillo	1

Siphon assembly • Ensemble de siphon • Ensamblaje de sifón

Item Article Artículo	Part No. N° de pièce Pieza No.	English Description	Français Description	Español Descripción	Quantity Quantite Cantidad
1	704-079	Siphon tube assembly (includes items 1-7)	Ensemble d'aspiration (comprend les articles 1-7)	Ensamblaje del juego de succión (incluye artículos 1-7)	1
2	9850638	Tie wrap	Cord d'amarrage	Amarra	2
3	704-397	Return tube	Tube de retour	Tubo de retorno	1
4	0279459	Clip	Agrafe	Sujetador	1
5	700-805	Inlet screen	Crépine d'entrée	Malla de entrada	1
6	704-121	O-ring	Joint torique	Junta tórica	2
	704-109	O-ring (for hot solvents, optional)	Joint torique pour solvants chauds (facultatif)	Junta tórica (para solventes calientes, opcional)	
7	704-127	Retaining clip	Agrafe de retenue	Sujetador de retención	1

English - Accessories

Liquid Shield Plus

Cleans and protects spray systems against rust, corrosion and premature wear. Now with -25° anti-freeze protection.

<u>Part #</u>	<u>Description</u>
---------------	--------------------

314-4834 ounce bottle
---------	---------------------

314-4821 quart bottle
---------	---------------------



Piston Lube

Specially formulated to prevent materials from adhering to the piston rod, which becomes abrasive to the upper seals. Piston Lube will break down any material that may accumulate in the oil cup and keep it from drying.

<u>Part #</u>	<u>Description</u>
---------------	--------------------

314-4814 ounce bottle
---------	---------------------

314-4808 ounce bottle
---------	---------------------



Spray Guns

<u>Part #</u>	<u>Description</u>
---------------	--------------------

550-540LX-40 spray gun
---------	----------------------

581-085LX-80" spray gun (two-finger)
---------	------------------------------------

581-100LX-80" spray gun (four-finger)
---------	-------------------------------------

Stencil Kit — 756-135

Stencils are molded of 1/16" (1.5 mm) Durolast polyethylene. This material is very durable and lays flat on the surface being stenciled for clean and accurate marking.

The stencil kit contains one each of the following:

- 21.5" (55 cm) Handicap (symbol)
- 42" (105 cm) Straight arrow (symbol)
- 42" (105 cm) Curved arrow (symbol)
- 12" (30 cm) Number kit (0 through 9)
- 12" (30 cm) "No Parking" (words)
- 12" (30 cm) "Fire Lane" (words)
- 4" (10 cm) "No Parking" (words)
- 4" (10 cm) "Fire Lane" (words)
- 4" (10 cm) "Visitors" (word)
- 4" (10 cm) "Reserved" (word)

Pointers

<u>Part #</u>	<u>Description</u>
---------------	--------------------

424-620Line Pointer
---------	-------------------

759-140Laser Pointer
---------	--------------------

Français - Accessoires

Liquid Shield Plus

Nettoie et protège les systèmes de vaporisation de la rouille, de la corrosion et de l'usure prématurée. Maintenant avec la protection d'antigel de -25°.

<u>N° de pièce</u>	<u>Description</u>
--------------------	--------------------

314-483	Bouteille de 4 oz
---------	-------------------

314-482	Bouteille de 1 qt.
---------	--------------------



Piston Lube

Spécialement formulé pour empêcher les produits d'adhérer à la tige des pistons, ce qui tend à endommager les joints supérieurs. Le Piston Lube décompose tous les matériaux qui risquent de s'accumuler dans la cuvette d'égouttage et les empêchent de sécher.

<u>N° de pièce</u>	<u>Description</u>
--------------------	--------------------

314-481Bouteille de 4 oz
---------	------------------------

314-480Bouteille de 8 oz
---------	------------------------



Pistolets pulvérisateur

<u>N° de pièce</u>	<u>Description</u>
--------------------	--------------------

550-540LX-40 pistolet pulvérisateur
---------	-----------------------------------

581-085LX-80" pistolet pulvérisateur (à deux doigts)
---------	--

581-100LX-80" pistolet pulvérisateur (à quatre doigts)
---------	--

Trousse de pochoirs — 756-135

Les pochoirs sont moulés de polyéthylène Durolast de 1/16 po (1.5 mm). Ce matériau est très résistant et repose à plat sur la surface à peindre pour un marquage net et précis.

La trousse comprend un pochoir de chacun des éléments suivants :

- stationnement pour personne handicapée de 21.5 po (55 cm) (symbole)
- flèche droite de 42 po (105 cm) (symbole)
- flèche courbe de 42 po (105 cm) (symbole)
- ensemble de chiffres (0 à 9) de 12 po (30 cm)
- « Stationnement interdit » de 12 po (30 cm) (mots)
- « Couloir d'urgence » de 12 po (30 cm) (mots)
- « Stationnement interdit » de 4 po (10 cm) (mots)
- « Couloir d'urgence » de 4 po (10 cm) (mots)
- « Visiteurs » de 4 po (10 cm) (mot)
- « Réserve » de 4 po (10 cm) (mot)

Pointeurs

<u>N° de pièce</u>	<u>Description</u>
--------------------	--------------------

424-620Pointeur de ligne
---------	------------------------

759-140Pointeur laser
---------	---------------------

Español - Accesorios

Protector líquido Liquid Shield

Limpia y proteger los sistemas de rociado contra el óxido, la corrosión y el desgaste prematuro. Ahora con la protección del anticongelante de -25°.

<u>Pieza #</u>	<u>Descripción</u>
----------------	--------------------

314-483....	Botella de 4 onzas
-------------	--------------------

314-482....	Botella de 1 cuarto de galón
-------------	------------------------------



Piston Lube

Formulado especialmente para evitar que los materiales se adhieran a la vara del pistón, lo cual es abrasivo para los sellos superiores. El Piston Lube degrada todo material que pueda acumularse en el recipiente y evita que se seque.

<u>Pieza #</u>	<u>Descripción</u>
----------------	--------------------

314-481....	Botella de 4 onzas
-------------	--------------------

314-480....	Botella de 8 onzas
-------------	--------------------



Pistolas pulverizadoras

<u>Pieza #</u>	<u>Descripción</u>
----------------	--------------------

550-540....	Pistola pulverizadora LX-40
-------------	-----------------------------

581-085....	Pistola pulverizadora (dos dedos) LX-80 ^{II}
-------------	---

581-100....	Pistola pulverizadora (cuatro dedos) LX-80 ^{II}
-------------	--

Juego de estencil - 756-135

Las plantillas de estencil se moldean de polietileno Durolast de 1/16" (1.5 mm). Este material es muy duradero y se mantiene plano en la superficie que se va a estarcir para obtener marcas limpias y precisas.

El juego de estencil contiene uno de los siguientes elementos:

- 21.5" (55 cm) Discapacidad (símbolo)
- 42" (105 cm) Flecha recta (símbolo)
- 42" (105 cm) Flecha curva (símbolo)
- 12" (30 cm) Juego de números (0 al 9)
- 12" (30 cm) "No Parking" (No estacionar) (palabras)
- 12" (30 cm) "Fire Lane" (Pista para protección contra el fuego) (palabras)
- 4" (10 cm) "No Parking" (No estacionar) (palabras)
- 4" (10 cm) "Fire Lane" (Pista para protección contra el fuego) (palabras)
- 4" (10 cm) "Visitors" (Visitas) (palabra)
- 4" (10 cm) "Reserved" (Reservado) (palabra)

Pistolas pulverizadoras

<u>Pieza #</u>	<u>Descripción</u>
----------------	--------------------

424-620....	Puntero de línea
-------------	------------------

759-140....	Puntero de láser
-------------	------------------

Warranty

Titan Tool, Inc., ("Titan") warrants that at the time of delivery to the original purchaser for use ("End User"), the equipment covered by this warranty is free from defects in material and workmanship. With the exception of any special, limited, or extended warranty published by Titan, Titan's obligation under this warranty is limited to replacing or repairing without charge those parts which, to Titan's reasonable satisfaction, are shown to be defective within twelve (12) months after sale to the End User. This warranty applies only when the unit is installed and operated in accordance with the recommendations and instructions of Titan.

This warranty does not apply in the case of damage or wear caused by abrasion, corrosion or misuse, negligence, accident, faulty installation, substitution of non-Titan component parts, or tampering with the unit in a manner to impair normal operation.

Defective parts are to be returned to an authorized Titan sales/service outlet. All transportation charges, including return to the factory, if necessary, are to be borne and prepaid by the End User. Repaired or replaced equipment will be returned to the End User transportation prepaid.

THERE IS NO OTHER EXPRESS WARRANTY. TITAN HEREBY DISCLAIMS ANY AND ALL IMPLIED WARRANTIES INCLUDING, BUT NOT LIMITED TO, THOSE OF MERCHANTABILITY AND FITNESS FOR A PARTICULAR PURPOSE, TO THE EXTENT PERMITTED BY LAW. THE DURATION OF ANY IMPLIED WARRANTIES WHICH CANNOT BE DISCLAIMED IS LIMITED TO THE TIME PERIOD SPECIFIED IN THE EXPRESS WARRANTY. IN NO CASE SHALL TITAN LIABILITY EXCEED THE AMOUNT OF THE PURCHASE PRICE. LIABILITY FOR CONSEQUENTIAL, INCIDENTAL OR SPECIAL DAMAGES UNDER ANY AND ALL WARRANTIES IS EXCLUDED TO THE EXTENT PERMITTED BY LAW.

TITAN MAKES NO WARRANTY AND DISCLAIMS ALL IMPLIED WARRANTIES OF MERCHANTABILITY AND FITNESS FOR A PARTICULAR PURPOSE WITH RESPECT TO ACCESSORIES, EQUIPMENT, MATERIALS OR COMPONENTS SOLD BUT NOT MANUFACTURED BY TITAN. THOSE ITEMS SOLD, BUT NOT MANUFACTURED BY TITAN (SUCH AS GAS ENGINES, SWITCHES, HOSES, ETC.) ARE SUBJECT TO THE WARRANTY, IF ANY, OF THEIR MANUFACTURER. TITAN WILL PROVIDE THE PURCHASER WITH REASONABLE ASSISTANCE IN MAKING ANY CLAIM FOR BREACH OF THESE WARRANTIES.

Material Safety Data Sheets (MSDS) are available on Titan's website or by calling Customer Service.

Garantie

Titan Tools, inc. (« Titan ») garantit qu'au moment de la livraison à l'acheteur original (« Utilisateur »), l'appareil couvert par la présente garantie sera exempt de défauts de matériaux et de fabrication. Les responsabilités de Titan en vertu de cette garantie se limitent au remplacement ou à la réparation sans frais des pièces dont on aura, à la satisfaction raisonnable de Titan, démontré la défectuosité dans un délai de douze (12) mois après la date d'achat par l'utilisateur. Cette garantie ne s'applique que si l'appareil a été installé et utilisé conformément aux recommandations et directives de Titan.

Cette garantie ne s'applique pas dans les cas d'endommagement ou d'usure engendrés par de l'abrasion, de la corrosion, un mauvais usage, de la négligence, un accident, une installation incorrecte, un remplacement par des composants non fournis par Titan ou toute intervention non autorisée apte à nuire au fonctionnement normal de l'appareil.

Les pièces défectueuses doivent être envoyées à un centre de service/vente Titan autorisé; les frais de transport, incluant le retour à l'usine, le cas échéant, doivent être défrayés à l'avance par l'utilisateur. Une fois remplacées ou réparées, les pièces seront renvoyées à ce dernier par transport prépayé.

AUCUNE AUTRE GARANTIE EXPLICITE N'EST DONNÉE. PAR LES PRÉSENTES, TITAN SE DÉGAGE DE TOUTE AUTRE GARANTIE IMPLICITE, INCLUANT, SANS TOUTEFOIS S'Y LIMITER, LES GARANTIES DE COMMERCIALITÉ ET D'ADAPTATION À UN USAGE PARTICULIER, DANS LES LIMITES PERMISES PAR LA LOI. LA DURÉE DES GARANTIES IMPLICITES NE POUVANT ÊTRE DÉCLINÉES SE LIMITE À LA PÉRIODE INDIQUÉE DANS LA GARANTIE EXPLICITE. LES RESPONSABILITÉS DE TITAN NE SAURAIENT EN AUCUN CAS SE CHIFFRER À UN MONTANT SUPÉRIEUR À CELUI DU PRIX D'ACHAT, ET CELLES RELATIVES AUX DOMMAGES CONSÉCUTIFS, ACCESSOIRES OU PARTICULIERS EN VERTU DE TOUTE GARANTIE SONT ÉGALEMENT DÉCLINÉES, DANS LES LIMITES PERMISES PAR LA LOI.

TITAN NE DONNE AUCUNE AUTRE GARANTIE EXPLICITE ET DÉCLINE TOUTE GARANTIE IMPLICITE DE COMMERCIALITÉ ET D'ADAPTATION À UN USAGE PARTICULIER RELATIVEMENT AUX ACCESSOIRES, À L'ÉQUIPEMENT, AUX MATÉRIELUX OU AUX COMPOSANTS VENDUS MAIS NON FABRIQUÉS PAR ELLE; CES ÉLÉMENTS (MOTEURS À ESSENCE, COMMUTATEURS, FLEXIBLES, ETC.) SONT PLUTÔT SOUMIS, LE CAS ÉCHÉANT, AUX GARANTIES DE LEUR FABRICANT. TITAN S'ENGAGE À OFFRIR UN SOUTIEN RAISONNABLE AUX UTILISATEURS QUI FERONT DES RÉCLAMATIONS RELATIVES À L'INOBSERVATION DE CES GARANTIES.

Des fiches techniques de sécurité des produits (FTSS) sont disponibles sur le site Internet de Titan ou par téléphone en vous adressant au Service Client.

Garantía

Titan Tool, Inc., ("Titan") garantiza que en el momento de la entrega al comprador original para su uso ("Usuario final"), el equipo cubierto por esta garantía está exento de defectos en material y fabricación. La obligación de Titan en virtud de esta garantía se limita a sustituir o reparar sin cargo las piezas que, a la entera satisfacción de Titan, demuestren estar defectuosas dentro de doce (12) meses después de la venta al usuario final. Esta garantía corresponde solamente cuando la unidad se instala y funciona según las recomendaciones e instrucciones de Titan.

Esta garantía no corresponde en el caso de daños o desgaste causados por abrasión, corrosión o uso indebido, negligencia, accidente, instalación errada, sustitución de piezas con componentes que no sean Titan o alteraciones con la unidad de tal modo que se vea afectado el funcionamiento normal.

Las piezas defectuosas deben devolverse a un centro de ventas y servicio autorizado de Titan. Todos los cargos de transporte, incluso la devolución a la fábrica, si es necesario, debe pagarlos previamente el usuario final. El equipo reparado o cambiado se devolverá al usuario final con porte prepagado.

NO EXISTE NINGUNA OTRA GARANTÍA EXPRESA. TITAN DESCONOCE POR LA PRESENTE TODA OTRA GARANTÍA IMPLÍCITA INCLUSIVE ENTRE OTRAS, LAS DE COMERCIABILIDAD E IDONEIDAD PARA UN FIN PARTICULAR, EN LA MEDIDA QUE LO PERMITA LA LEY. LA DURACIÓN DE LAS GARANTÍAS IMPLÍCITAS QUE NO PUEDEN DESCONOCERSE SE LIMITA AL PLAZO ESPECIFICADO EN LA GARANTÍA EXPRESA. EN NINGÚN CASO EXCEDERÁ LA RESPONSABILIDAD DE TITAN EL MONTO DEL PRECIO DE COMPRA. LA RESPONSABILIDAD CIVIL POR DAÑOS Y PERJUICIOS RESULTANTES, FORTUITOS O ESPECIALES BAJO TODA GARANTÍA QUEDA EXCLUIDA EN LA MEDIDA QUE LO PERMITA LA LEY.

TITAN NO OFRECE GARANTÍAS Y DESCONOCE TODA GARANTÍA IMPLÍCITA DE COMERCIABILIDAD E IDONEIDAD PARA UN FIN PARTICULAR REFERENTE A ACCESORIOS, EQUIPO, MATERIALES O COMPONENTES VENDIDOS PERO NO FABRICADOS POR TITAN. AQUELLOS ARTÍCULOS VENDIDOS, PERO NO FABRICADOS POR TITAN (COMO LOS MOTORES DE GAS, INTERRUPTORES, MANGUERAS, ETC.) ESTÁN PROTEGIDOS POR LA GARANTÍA DE SU PROPIO FABRICANTE, SI LA HAY. TITAN PROPORCIONARÁ AL COMPRADOR ASISTENCIA RAZONABLE PARA EFECTUAR RECLAMOS EN CASO DE INCUMPLIMIENTO DE ESTAS GARANTÍAS.

Las Hojas de Datos de Seguridad (Material Safety Data Sheets - MSDS) se encuentran disponibles en el sitio web de Titan o llamando al Servicio al Cliente.

TITAN™

United States Sales & Service

Phone: 1-800-526-5362

Fax: 1-800-528-4826

1770 Fernbrook Lane
Minneapolis, MN 55447
www.titantool.com

Canadian Branch

Phone: 1-800-565-8665

Fax: 1-800-856-8496

200 Trowers Road, Unit 7B
Woodbridge, Ontario L4L 5Z8

International

Phone: 1-201-337-1240

Fax: 1-201-405-7449

1770 Fernbrook Lane
Minneapolis, MN 55447

TITAN™

English Français Español